

**SINGER**  
935U

# PARTS LIST

## SINGER\*

### 935 U

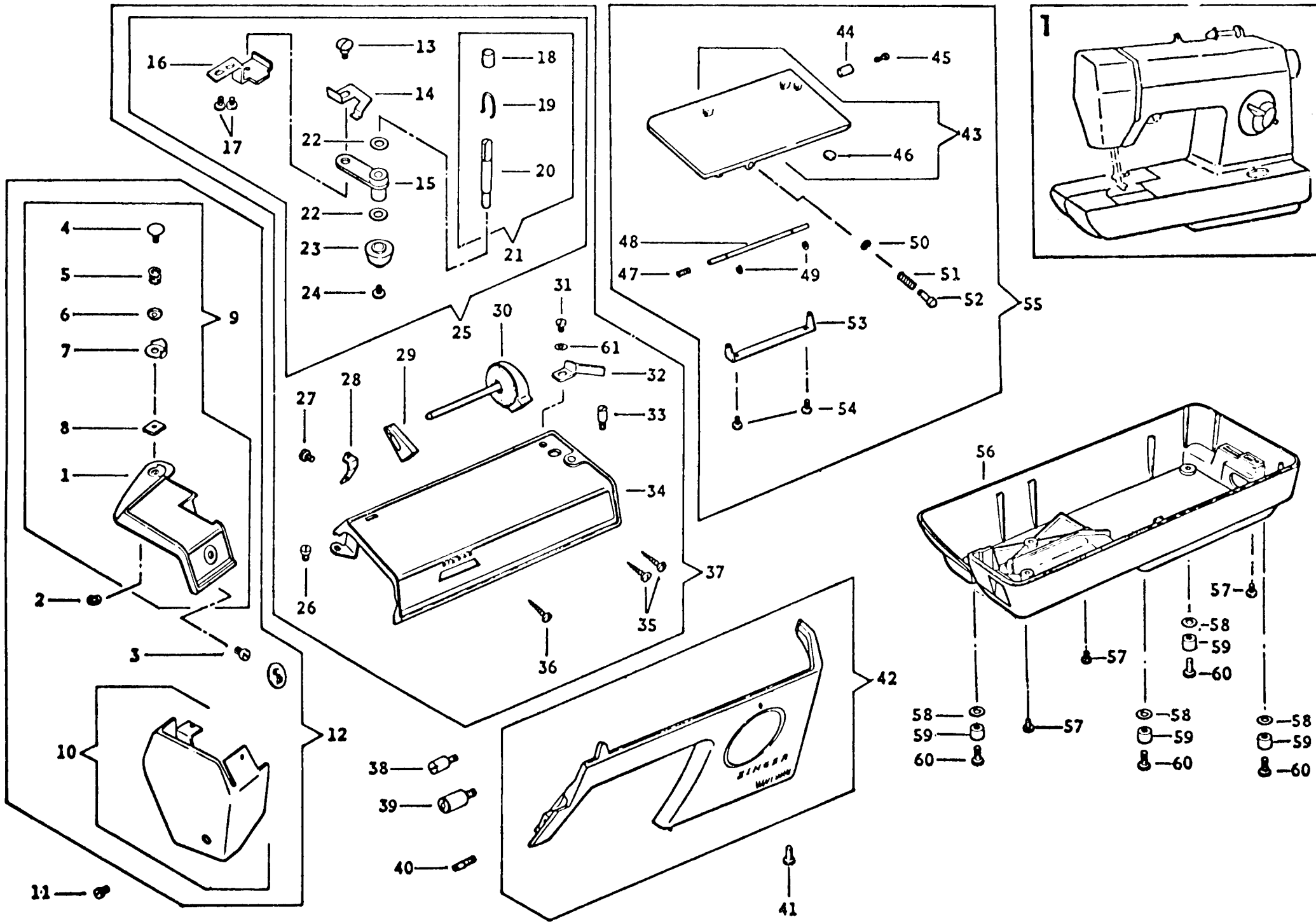
This List of Parts has been revised to  
meet the school machine requirements.



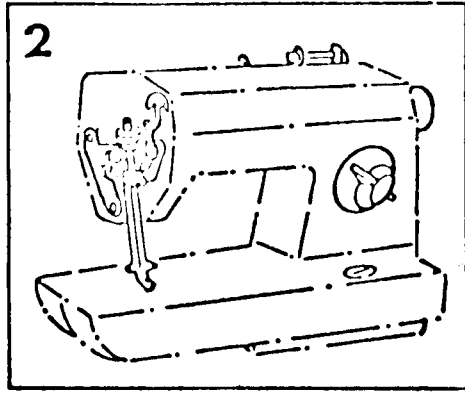
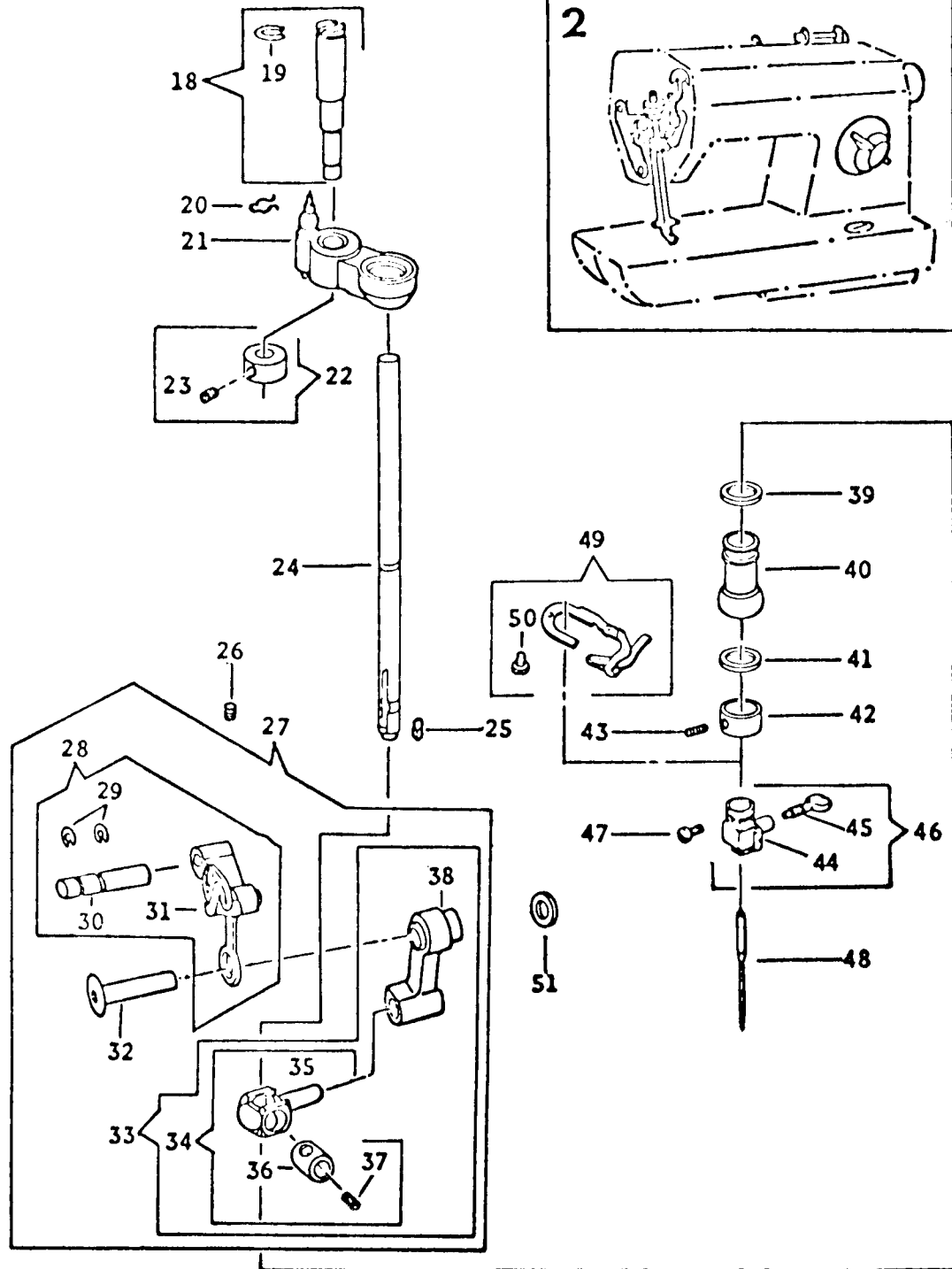
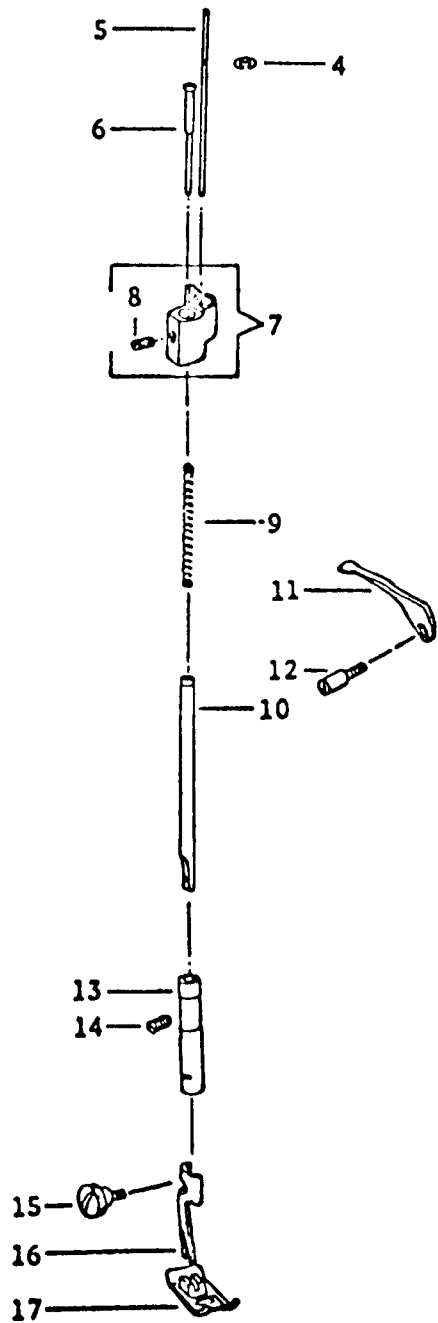
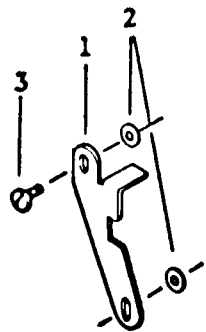
Printed in U.S.A.  
(1/80)

Interim List of Parts Prepared by  
Singer Nikko Japan

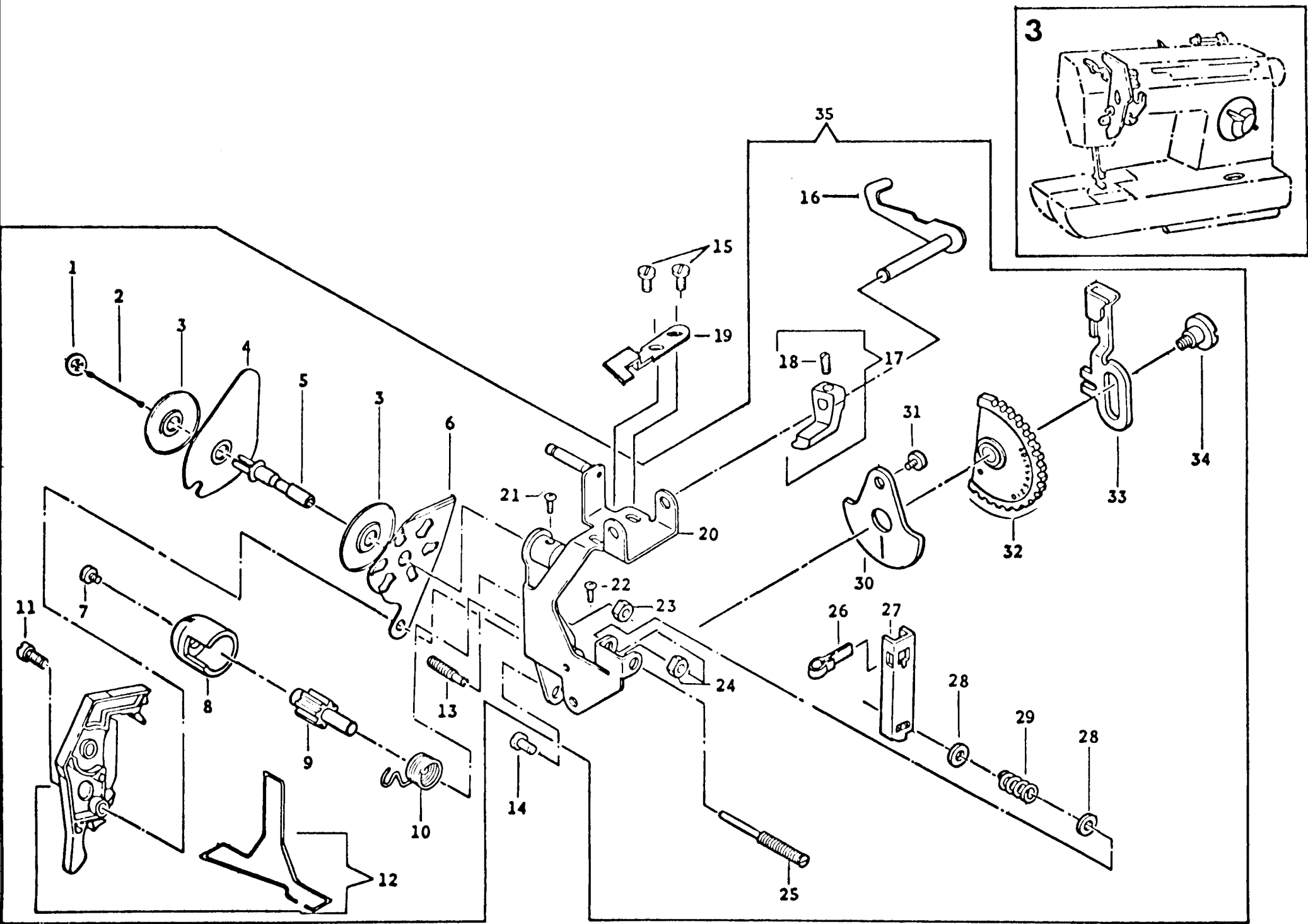
Form U-3072 (878)  
Part No. 543123-002 (Rev. 1)



PART NO.	DESCRIPTION	PART NO.	DESCRIPTION
1 408617	Face Plate (upper)	48 382741	Bed Lid Hinge Pin
2 547452	Face Plate (upper) Set Washer	49 408030	Bed Lid Hinge Retaining Ring (2)
3 549357	Face Plate (upper) Set Screw	50 546623	Bed Lid Latch Retaining Ring
4 408623	Pre-Tension Cap	51 381877	Bed Lid Latch Spring
5 408624	Pre-Tension Spring	52 381874-451	Bed Lid Latch
6 408625	Pre-Tension Disc	53 408266	Bed Lid Hinge Bracket
7 408626	Pre-Tension Thread Guide	54 544078	Bed Lid Hinge Bracket Fastening Screw (2)
8 541162	Pre-Tension Cap Stop Plate	55 408631	Bed Lid Complete
9 408618	Face Plate (upper) Complete	56 408026	Bed Cover Complete
10 408621	Face Plate (lower)	57 544078	Bed Cover Fastening Screw (3)
11 544134-453	Face Plate Set Screw	58 408799	Bed Cover Cushion Washer (4)
12 408622	Face Plate Complete	59 381899	Bed Cover Cushion (4)
13 354223-451	Bobbin Winder Lever Hinge Screw	60 544198	Bed Cover Cushion Screw (4)
14 319865	Bobbin Winder Engaging Spring	61 549426	Bobbin Winder Stop Latch Screw Washer
15 408608	Bobbin Winder Lever Complete		
16 408614	Bobbin Winder Mounting Bracket		
17 549357	Bobbin Winder Set Screw		
18 408611	Bobbin Winder Collar		
19 20477-997	Bobbin Winder Spring		
20 408610	Bobbin Winder Spindle		
21 408628	Bobbin Winder Spindle with Collar and Spring		
22 543531	Bobbin Winder Spindle Thrust Washer		
23 408612	Bobbin Winder Friction Ring		
24 544200	Bobbin Winder Friction Set Screw		
25 408606	Bobbin Winder Complete		
26 549357	Arm Top Cover Set Screw (front)		
27 549344-452	Bobbin Winder Thread Guide Screw		
28 408616	Bobbin Winder Thread Guide		
29 408096-454	Arm Top Cover Thread Guide (plastic)		
30 408097-454	Arm Top Cover Spool Pin with Holder and Cushion		
31 544134-453	Bobbin Winder Stop Latch Screw		
32 408615	Bobbin Winder Stop Latch		
33 544180	Arm Top Cover Set Screw (back)		
34 408604	Arm Top Cover with Stabilizer		
35 544075	Arm Top Cover Spool Pin Holder Set Screw (2)		
36 544075	Arm Top Cover Thread Guide (plastic) Screw		
37 408605	Arm Top Cover Complete		
38 544182	Face Plate Guide Screw (upper)		
39 544181	Face Plate Guide Screw (lower)		
40 544140	Arm Front Cover Screw (left)		
41 544074	Arm Front Cover Screw (right)		
42 408598	Arm Front Cover		
43 408629	Bed Lid (body) Complete		
44 381878	Bed Lid Positioning Button		
45 408684	Bed Lid Positioning Button Vinyl Tube		
46 619491-001	Bed Lid Rubber Cushion		
47 381876	Bed Lid Hinge Bracket Spring		

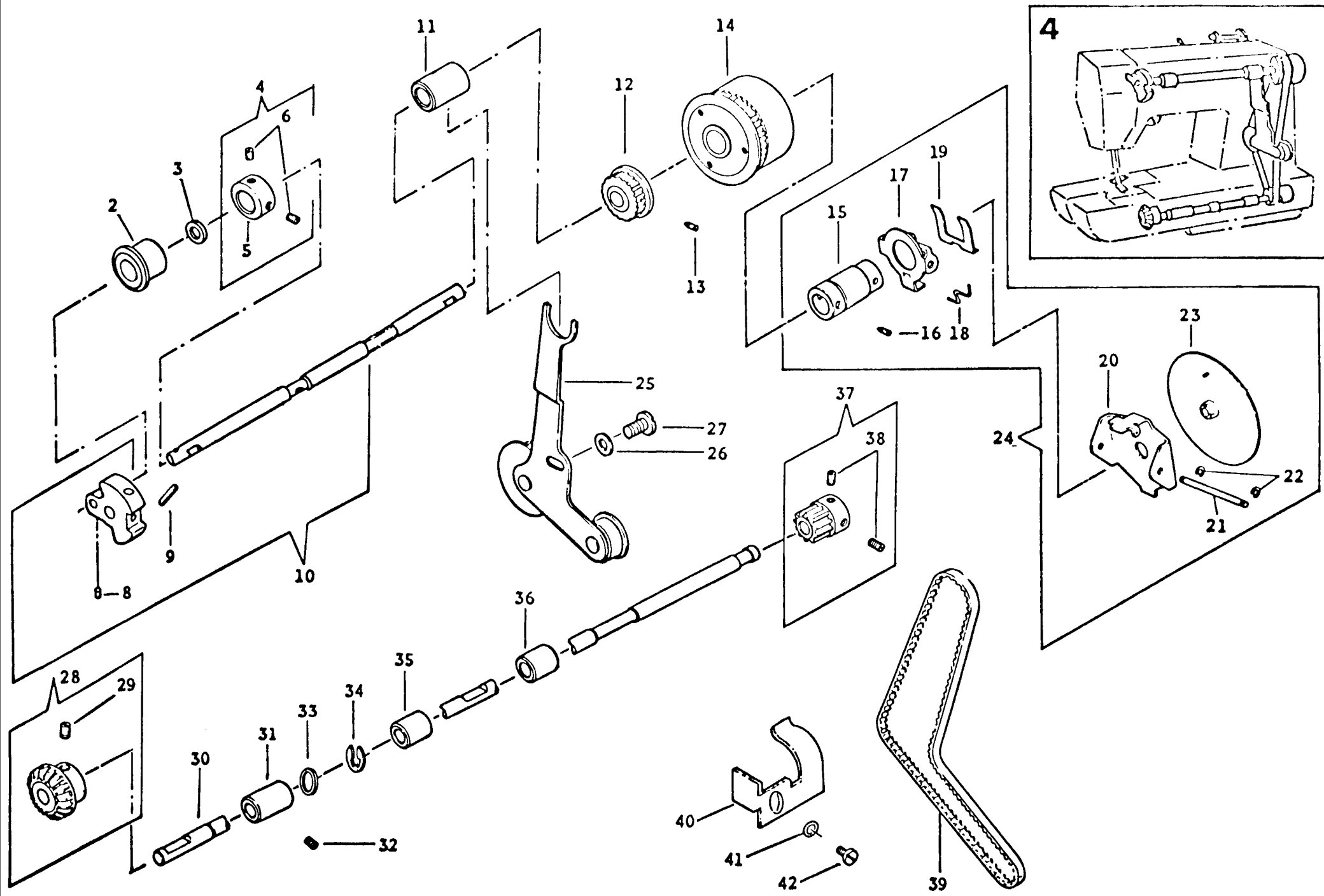


PART NO.	DESCRIPTION	PART NO.	DESCRIPTION
1 408632	Presser Bar Spring Extension Pin Stopper	38 408356	Needle Bar Connecting Link
2 408559	Presser Bar Spring Extension Pin Stopper Washer (2)	39 502325	Needle Bar Ball Bushing (lower) Socket (upper)
3 544078	Presser Bar Spring Extension Pin Stopper Set Screw	40 408564	Needle Bar Ball Bushing (lower)
4 408030	Tension Releasing Pin Retaining Ring	41 507379	Needle Bar Ball Bushing (lower) Socket (lower)
5 408370	Tension Releasing Pin	42 502485	Needle Bar Ball Bushing (lower) Adjusting Collar
6 502484	Presser Bar Spring Extension Pin	43 549366	Needle Bar Ball Bushing (lower) Adjusting Collar Set Screw
7 408369	Presser Bar Guide Bracket Complete	44 543622	Needle Clamp Body Complete
8 549316	Presser Bar Guide Bracket Set Screw	45 549341	Needle Thumb Screw
9 503346	Presser Bar Spring	46 543623	Needle Clamp Complete
10 502360	Presser Bar	47 544012	Needle Clamp Body, Needle Clamp Thread Guide and Needle Stop Screw
11 502362	Presser Bar Lifter	48 Cat. 2020N	Needle (15x1, #14)
12 544110	Presser Bar Lifter Hinge Screw	49 408367	Arm Thread Guide Complete
13 506449	Presser Bar Bushing Complete	50 141215	Arm Thread Guide (lower) Thread Snubber Screw
14 549316	Presser Bar Bushing Set Screw	51 543531	Needle Bar Connecting Link Thrust Washer
15 504030	Presser Foot Thumb Screw		
16 542167	Presser Foot (snap-on) Shank		
17 543714	Presser Foot Plate (snap-on) (for zigzag stitching)		
18 502364	Needle Bar Vibrating Bracket Hinge Stud (eccentric) Complete		
19 506199	Needle Bar Vibrating Bracket Hinge Stud (eccentric) Retaining Ring		
20 408570	Needle Bar Driving Arm Ball Joint Snap Retainer		
21 502335	Needle Bar Vibrating Bracket Complete		
22 409051	Needle Bar Vibrating Bracket Hinge Stud (eccentric) Collar Complete		
23 549358	Needle Bar Vibrating Bracket Hinge Stud (eccentric) Collar Set Screw		
24 503281	Needle Bar		
25 163822	Needle Clamp Gib		
26 544129	Thread Take-up Lever Link Hinge Stud Set Screw		
27 408568	Thread Take-up Lever Complete		
28 408457-452	Thread Take-up Lever Link Hinge Stud		
29 408354	Thread Take-up Lever Link Hinge Stud Retaining Ring (2)		
30 543766	Thread Take-up Lever Link Hinge Stud		
31 408353-452	Thread Take-up Lever Complete		
32 511380	Thread Take-up Stud Complete		
33 408567	Needle Bar Connecting Stud Complete with Needle Bar Connecting Link Complete		
34 408566	Needle Bar Connecting Stud with Hinge Pin		
35 408574	Needle Bar Connecting Stud		
36 547306	Needle Bar Connecting Stud Hinge Pin		
37 504048	Needle Bar Connecting Stud Hinge Pin Set Screw		

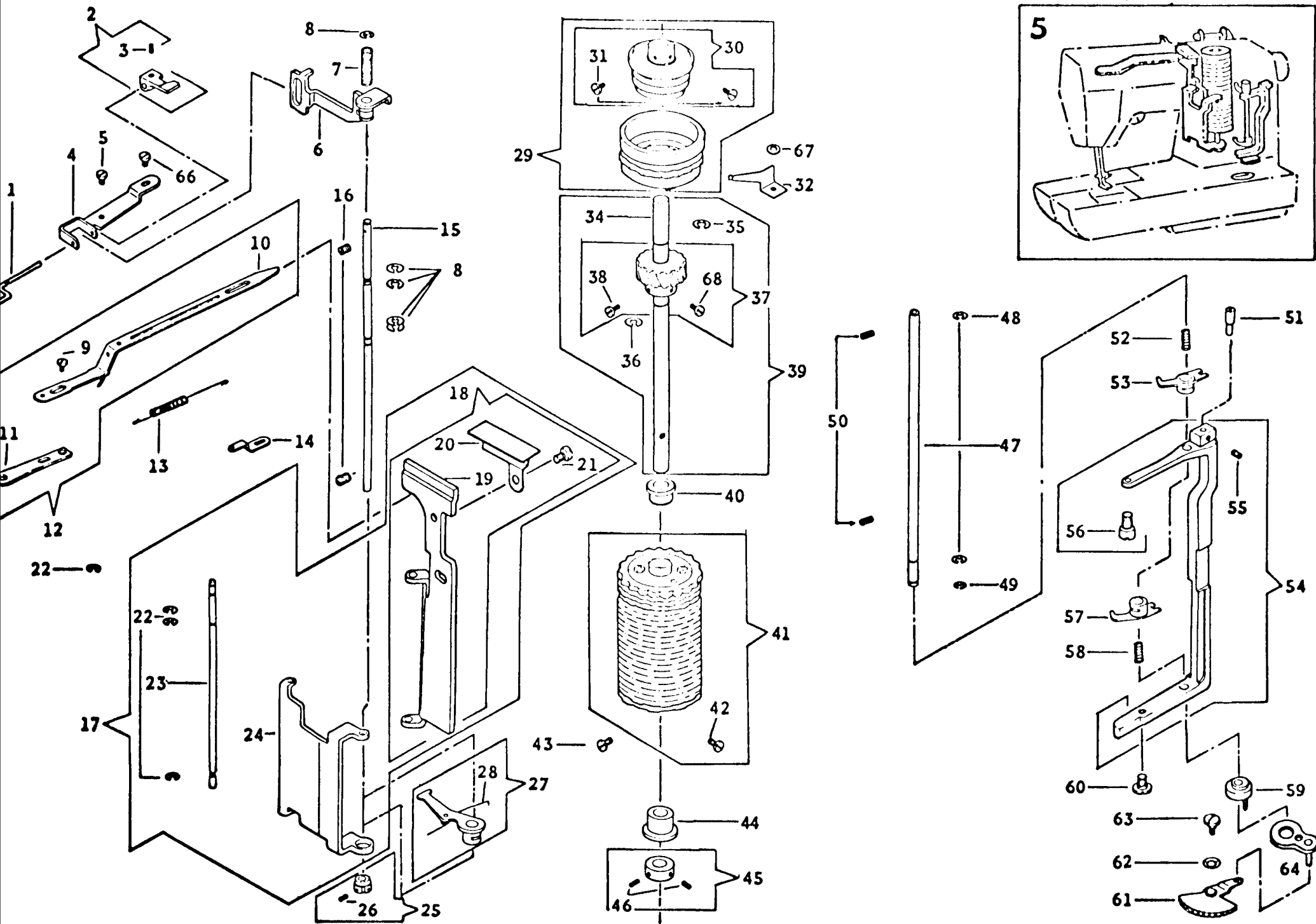


PART NO.	DESCRIPTION				
1 174398	Tension Disc Pressure Plate				
2 181857	Tension Disc Pressure Pin				
3 382586	Tension Disc (small) (2)				
4 408415	Tension Disc (large)				
5 503270	Tension Stud				
6 408416	Tension Thread Guard				
7 544004	Thread Take-up Spring Adjusting Screw				
8 181861	Thread Take-up Spring Cap and Slack Thread Regulator (plastic)				
9 408418	Thread Take-up Spring Stud Complete				
10 181872	Thread Take-up Spring				
11 544188	Thread Take-up Spring Thread Guard Screw				
12 408424-452	Thread Take-up Spring Thread Guard Complete				
13 514644-451	Tension Regulating Slide Positioning Screw				
14 549357	Tension Mounting Bracket Screw (lower)				
15 544078	Tension Mounting Bracket Screw (upper) (2)				
16 408420	Tension Release Actuating Lever Complete				
17 408422	Tension Releasing Lever Complete				
18 544053	Tension Releasing Lever Screw				
19 408552	Tension Regulating Slide Plate Supporting Plate				
20 408412	Tension Mounting bracket Complete				
21 544187	Tension Stud Set Screw				
22 544187	Thread take-up Spring Stud Set Screw				
23 514607	Tension Regulating Slide Positioning Screw Nut				
24 514607	Tension Spring Adjusting Screw Nut				
25 514653-451	Tension Spring Adjusting Screw				
26 172906	Tension Regulating Slide Plate Spring Clip				
27 181855	Tension Regulating Slide Plate				
28 172731	Tension Spring Adjusting Screw Washer (2)				
29 181877	Tension Spring				
30 182222-451	Tension Indicator (plastic)				
31 544038	Tension Indicator Screw				
32 181848-451	Tension Indicator Dial (graphics)				
33 181854	Tension Regulating Slide				
34 544132	Tension Indicator Dial Hinge Screw				
35 408410-452	Tension Complete				

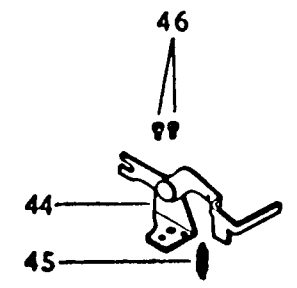
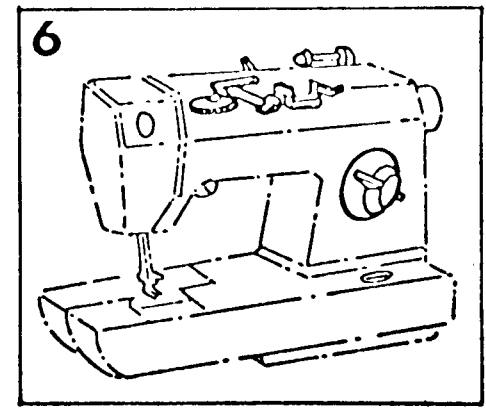
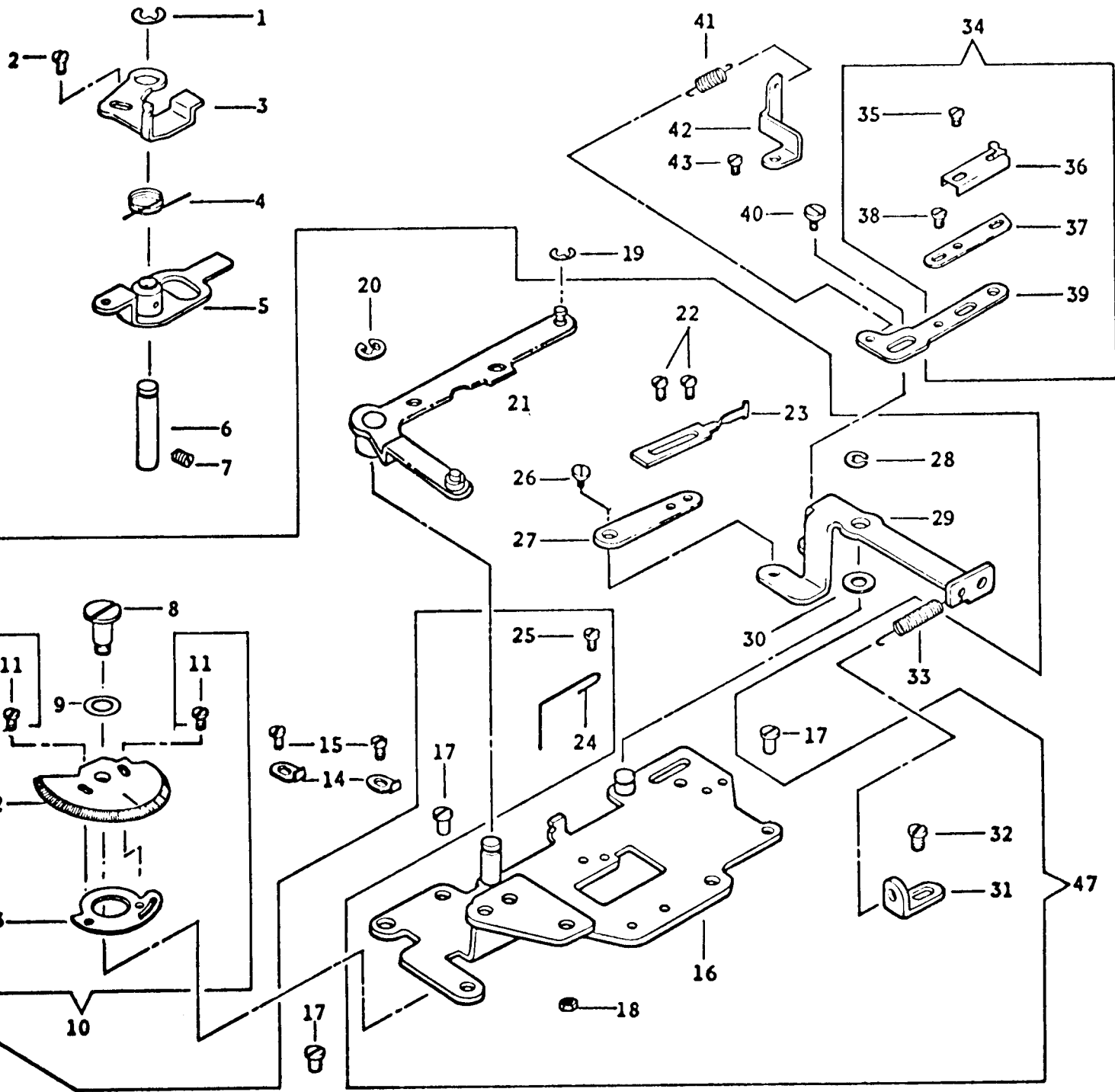




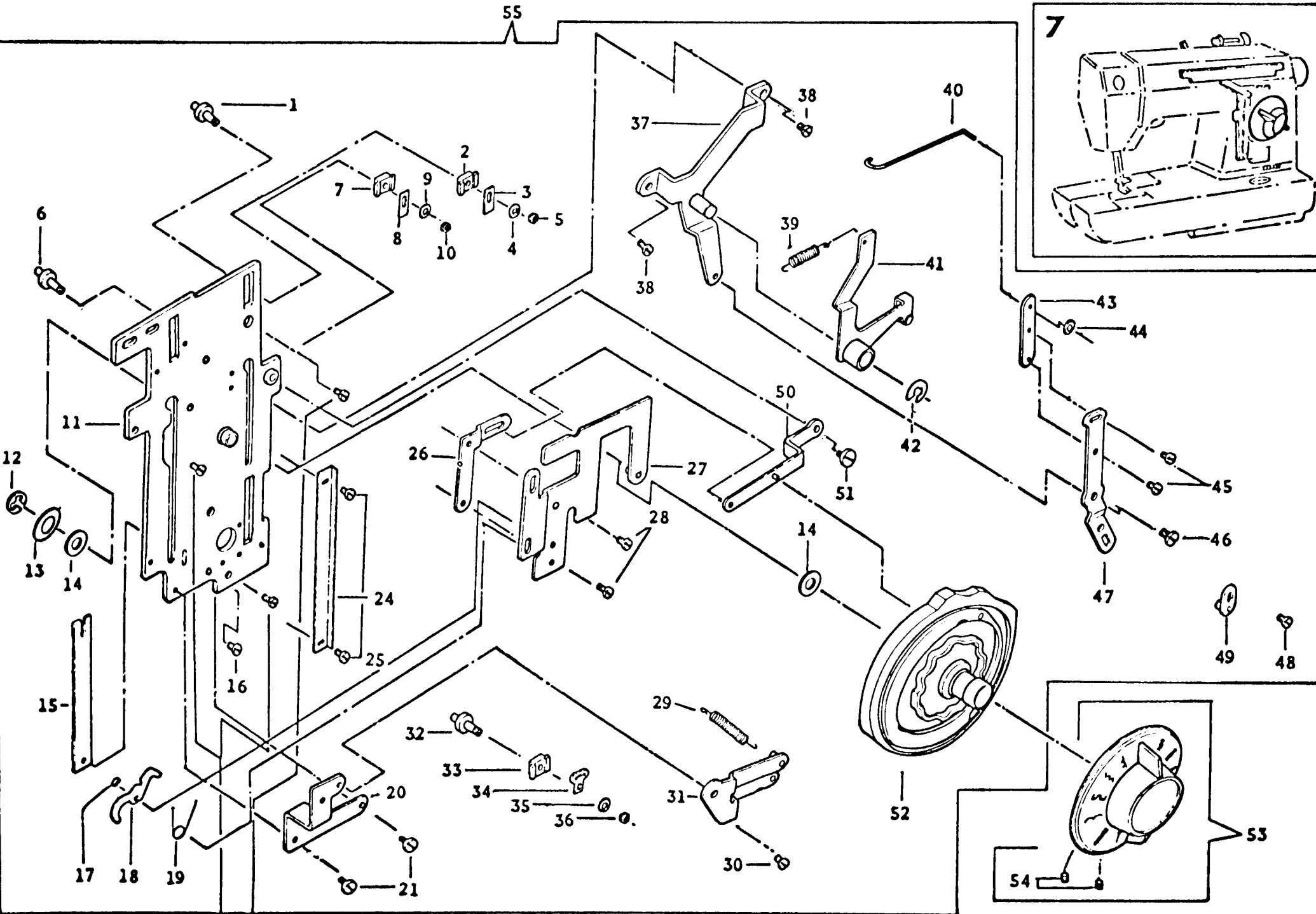
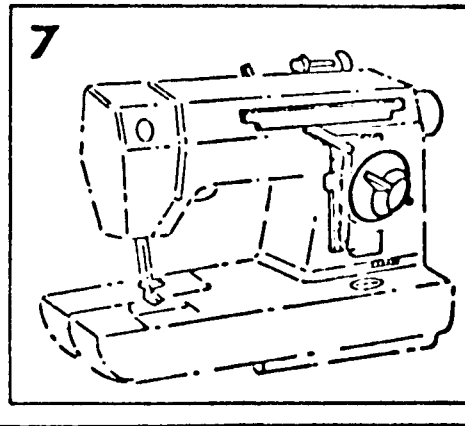
PART NO.	DESCRIPTION	PART NO.	DESCRIPTION
2 408244	Arm Shaft Bushing (front)	36 182117	Rotating Hook Drive Shaft Bushing (right)
3 408243	Arm Shaft Collar Thrust Washer	37 408264	Rotating Hook Drive Shaft Belt Pulley Complete
4 408247	Arm Shaft Collar Complete		
5 408246	Arm Shaft Collar	38 544098	Rotating Hook Drive Shaft Belt Pulley Set Screw (2)
6 544053	Arm Shaft Collar Set Screw (2)	39 408254	Belt (from Hand Wheel Pulley to Rotating hook Drive Shaft Belt Pulley)
8 549361	Needle Bar Crank Shaft Set Screw	40 408555	Belt Slip Prevention Guard
9 541270	Needle Bar Crank Spring Pin	41 540265	Belt Slip Prevention Guard Screw Washer
10 408692	Arm Shaft Complete	42 549357	Belt Slip Prevention Guard Screw
11 408245	Arm Shaft Bushing (back)		
12 408636	Timing Belt Pulley		
13 544195	Timing Belt Pulley Set Screw		
14 408641	Hand Wheel Complete		
15 408642	Hand Wheel Disengaging Clutch Bushing		
16 544195	Hand Wheel Disengaging Clutch Bushing Screw		
17 319566	Hand Wheel Disengaging Clutch Bushing Plate		
18 319657	Hand Wheel Disengaging Clutch Actuating Spring		
19 319567	Hand Wheel Disengaging Clutch Bushing Plate Retainer		
20 319658-900	Hand Wheel Disengaging Clutch Engaging Plate		
21 319560	Hand Wheel Disengaging Clutch Engaging Plate Hinge Pin		
22 319561	Hand Wheel Disengaging Clutch Engaging Plate Hinge Pin Retaining Ring (2)		
23 543717-007	Hand Wheel Disengaging Clutch Engaging Plate Cover		
24 408643	Hand Wheel Disengaging Clutch Bushing Complete		
25 408258	Belt Idler Pulley Bracket Complete		
26 408558	Belt Idler Pulley Bracket Screw Washer		
27 544078	Belt Idler Pulley Bracket Screw		
28 382877	Rotating Hook Drive Shaft Bevel Gear Complete		
29 141338	Rotating Hook Drive Shaft Bevel Gear Set Screw		
30 408265	Rotating Hook Drive Shaft		
31 383011	Rotating Hook Drive Shaft Bushing		
32 549358	Rotating Hook Drive Shaft Bushing (left) Set Screw		
33 181957	Rotating Hook Drive Shaft Thrust Washer		
34 408274	Rotating Hook Drive Shaft Retaining Ring		
35 182247	Rotating Hook Drive Shaft Bushing (intermediate)		



PART NO.	DESCRIPTION	PART NO.	DESCRIPTION
1 408648	Buttonhole Kick-out Shaft		
2 408471	Disc (buttonhole) Driving Ratchet Engaging Pawl Complete	34 408160	Disc Stack Shaft
3 544052	Disc (buttonhole) Driving Ratchet Engaging Pawl Screw	35 543778	Disc Stack Shaft Retaining Ring
4 408649	Buttonhole Kick-out Shaft Bracket	36 543778	Disc (buttonhole) Retaining Ring
5 549357	Buttonhole Kick-out Shaft Bracket Screw (left)	37 408162	Disc Stack Shaft Gear Complete
6 408645	Disc (buttonhole) Needle Position Follower Complete	38 544134-451	Disc Stack Shaft Gear Screw
7 408232	Disc (buttonhole) Needle Position Follower Spring	39 408163	Disc Stack Shaft Complete
8 408274	Disc Needle Position Follower Shaft Retaining Ring (5)	40 408164	Disc Stack Shaft Bushing (upper)
9 544114	Needle Bar Driving Arm Ball Joint Screw	41 408491	Disc Stack Complete
10 408396	Needle Bar Driving Arm	42 544111-452	Disc Stack Set Screw (short)
11 408400	Needle Bar Driving Arm Ball Joint	43 544139	Disc Stack Set Screw (long)
12 408409	Needle Bar Driving Arm, Ball Joint Complete	44 408165	Disc Stack Shaft Bushing (lower)
13 408565	Needle Bar Driving Arm Return Spring	45 408167	Disc Stack Shaft Collar Complete
14 408178	Needle Bar Driving Arm Return Spring Bracket	46 549366	Disc Stack Shaft Collar Set Screw (2)
15 408394	Disc Needle Position Follower Shaft	47 408656	Disc Feed Control Follower Shaft
16 549366	Disc Needle Position Follower Shaft Set Screw (2)	48 408274	Disc Feed Control Follower Shaft Retaining Ring (2)
17 408403	Needle Bar Driving Arm Plate Complete	49 408655	Feed Balancing Eccentric Retaining Ring
18 408405	Needle Bar Driving Arm Plate Complete	50 549366	Disc Feed Control Follower Shaft Set Screw (2)
19 408401	Needle Bar Driving Arm Plate	51 408209	Disc (buttonhole) Feed Control Follower Eccentric Stud
20 408404	Needle Bar Driving Arm Plate (small)	52 408575	Disc (buttonhole) Feed Control Follower Complete Spring
21 549301	Needle Bar Driving Arm Plate (small) Screw	53 408207	Disc (buttonhole) Feed Control Follower Complete
22 408030	Needle Bar Driving Arm Plate Hinge Stud Retaining Ring (4)	54 408497	Disc Controlled Feed Crank Actuating Lever Bracket Complete
23 408406	Needle Bar Driving Arm Plate Hinge Stud	55 549366	Disc (buttonhole) Feed Control Follower Eccentric Stud Set Screw
24 408402	Needle Bar Driving Arm Plate Hinge Bracket	56 544094	Disc Controlled Feed Actuating Lever Bracket Screw
25 408408	Needle Bar Driving Arm Plate Hinge Bracket Eccentric Complete	57 408202	Disc Feed Control Follower Complete
26 549366	Needle Bar Driving Arm Plate Hinge Bracket Eccentric Screw	58 408232	Disc Feed Control Follower Complete Spring
27 408391	Disc Needle Position Follower Complete	59 408653	Feed Balancing Eccentric Complete
28 408392	Disc Needle Position Follower Return Spring	60 544095	Disc Controlled Feed Lever Actuating Lever Hinge Screw
29 408647	Disc (buttonhole) Complete	61 408651	Feed Balancing Dial
30 408225	Disc (buttonhole) Driver Complete	62 49204	Feed Balancing Dial Hinge Screw Spring Washer
31 544134-451	Disc (buttonhole) Driver Set Screw (2)	63 544184	Feed Balancing Dial Hinge Screw
32 408695	Disc (buttonhole) Friction Spring	64 408697	Feed Balancing Dial Lever Complete
		65 408386	Buttonhole Kick-out Shaft Washer (2)
		66 549305	Buttonhole Kick-out Shaft Bracket Screw (right)
		67 547670	Buttonhole Kick-out Shaft Bracket Screw (right) Washer
		68 549305	Disc Stack Shaft Gear Screw



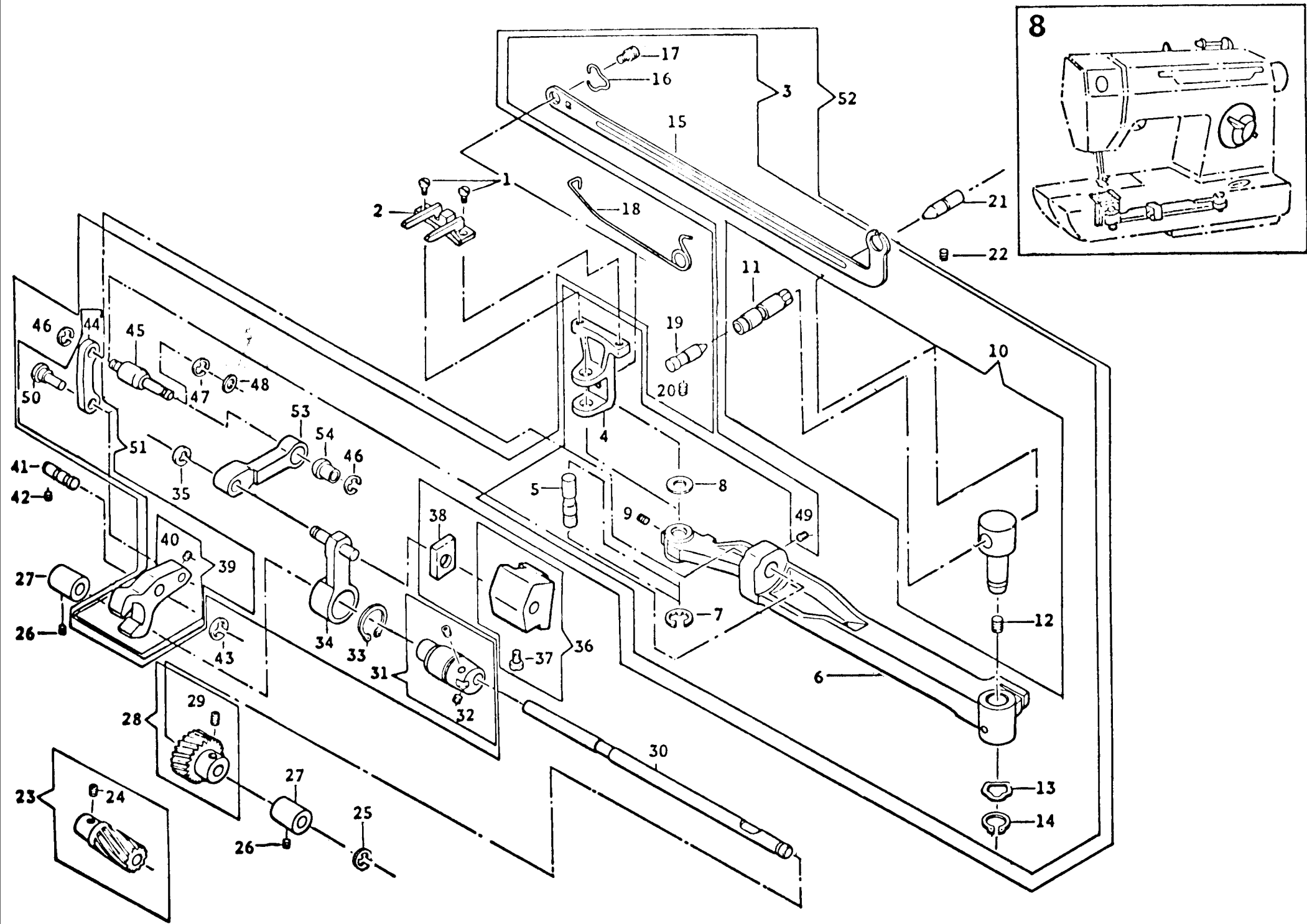
PART NO.	DESCRIPTION	PART NO.	DESCRIPTION
1 408274	Disc Feed Control Follower Releasing Lever Stud Ring	29 408506	Needle Position Releasing Lever
2 549301	Disc Feed Control Follower Releasing Lever Adjusting Link Screw	30 543531	Needle Position Releasing Lever Hinge Stud Washer
3 408504	Disc Feed Control Follower Releasing Lever Adjusting Link	31 408508	Needle Position Releasing Lever Return Spring Retainer
4 408505	Disc Feed Control Follower Releasing Lever Adjusting Link Return Spring	32 549301	Needle Position Releasing Lever Return Spring Retainer Screw
5 408501	Disc Feed Control Follower Releasing Lever Complete	33 408670	Needle Position Releasing Lever Return Spring
6 408503	Disc Feed Control Follower Releasing Lever Stud	34 408514	Needle Position Releasing Lever Link Complete
7 549366	Disc Feed Control Follower Releasing Lever Stud Set Screw	35 549301	Disc (needle position) Follower Retaining Spring Set Screw
8 544081	Bight Amplitude Control Dial Screw Stud	36 408071	Disc (needle position) Follower Retaining Spring
9 49204	Bight Amplitude Control Dial Screw Stud Friction Washer	37 408072	Needle Position Lever Link Adjusting Plate
10 408586-453	Bight Amplitude Control Dial Complete	38 549301	Needle Position Lever Link Adjusting Plate Screw
11 544130	Bight Amplitude Control Dial Cam Set Screw (2)	39 408515	Needle Position Releasing Lever Link
12 408039-453	Bight Amplitude Control Dial	40 544086	Needle Position Releasing Lever Link Hinge Screw
13 408583	Bight Amplitude Control Dial Cam	41 408516	Needle Position Releasing Lever Link Return Spring
14 408040	Bight Amplitude Control Dial Stopper	42 408551	Needle Position Releasing Lever Link Return Spring Retainer
15 549301	Bight Amplitude Control Dial Stopper Set Screw (2)	43 549357	Needle Position Releasing Lever Link Return Spring Retainer Screw
16 408499	Bight Amplitude Control Dial Bracket Complete	44 408659	Buttonhole Kick-out Shaft Actuating Lever Complete
17 549357	Bight Amplitude Control Dial Bracket Screw (3)	45 408650	Buttonhole Kick-out Shaft Actuating Lever Spring
18 514607	Bight Amplitude Control Dial Screw Stud Nut	46 549301	Buttonhole Kick-out Shaft Actuating Lever Complete Set Screw (2)
19 547412	Bight Amplitude Control Lever Pin (back) Ring	47 408498-002	Bight Amplitude Control Dial Bracket Complete
20 408274	Bight Amplitude Control Lever Hinge Stud Ring		
21 408584	Bight Amplitude Control Lever Complete		
22 549301	Needle Bar Driving Arm Plate Disengaging Link Adjusting Plate Screw (2)		
23 408510	Needle Bar Driving Arm Plate Disengaging Link Adjusting Plate		
24 408185	Needle Bar Driving arm Plate Disengaging Link Adjusting Plate Spring		
25 544038	Needle Bar Driving Arm Plate Disengaging Link Adjusting Plate Spring Screw		
26 544082	Needle Bar Driving Arm Plate Disengaging Link Hinge Screw		
27 408509	Needle Bar Driving Arm Plate Disengaging Link		
28 408274	Needle Position Releasing Lever Hinge Stud Ring		



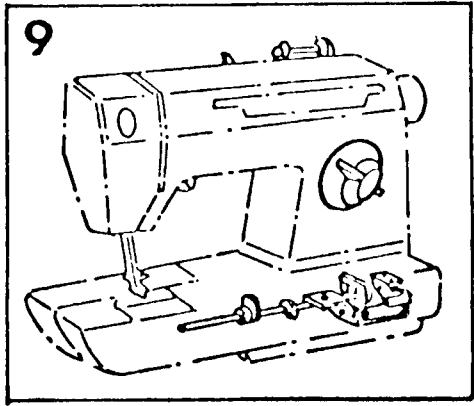
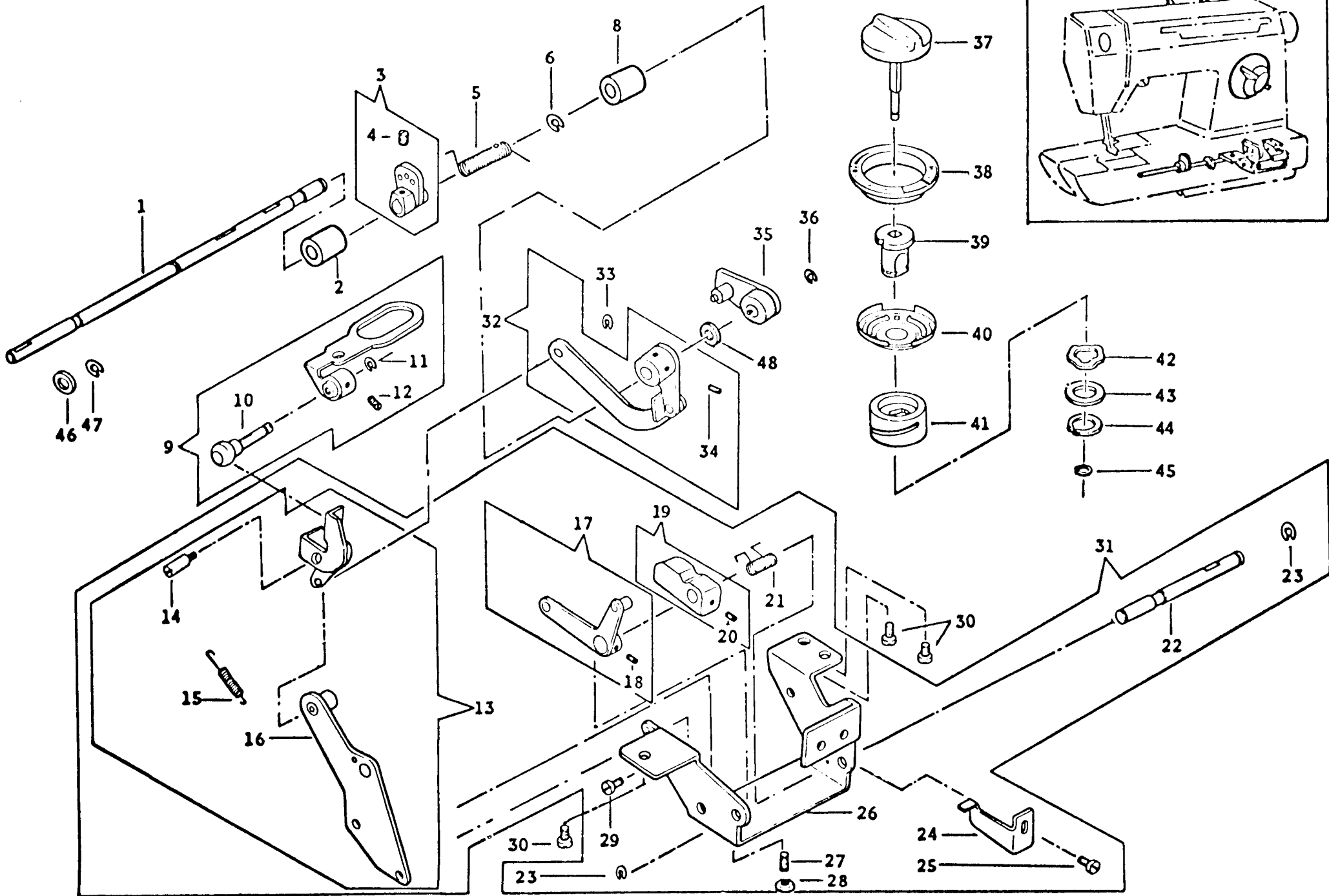
22 23

PART NO.	DESCRIPTION	PART NO.	DESCRIPTION
1 408472	Disc (buttonhole) Follower Selector Stud (feed cam)	29 408535	Disc Feed Control Follower Slide Block Spring
2 181979	Disc (buttonhole) Follower Slide Block (feed cam)	30 544086	Disc Feed Control Follower Slide Block Lever Hinge Screw
3 408536	Disc (buttonhole) Feed Control Follower Slide Block Adjusting Plate	31 408531	Disc Feed Control Follower Slide Block Lever Complete
4 547670	Disc (buttonhole) Feed Control Follower Slide Block Adjusting Plate Washer	32 408472	Disc (feed control) Follower Selector Stud (flexi cam)
5 514607	Disc (buttonhole) Follower Selector Stud (feed cam) Nut	33 181979	Disc (feed control) Follower Slide Block (flexi cam)
6 408472	Disc (buttonhole) Needle Position Follower Selector Stud	34 408140	Disc (feed control) Follower Slide Block (flexi cam) Adjusting Plate
7 181979	Disc (buttonhole) Needle Position Follower Slide Block	35 547670	Disc (feed control) Follower Slide Block (flexi cam) Adjusting Plate
8 408536	Disc (buttonhole) Needle Position Follower Slide Block Adjusting Plate	36 514607	Disc (feed control) Follower Selector Stud (flexi cam) Nut
9 547670	Disc (buttonhole) Needle Position Follower Slide Block Adjusting Plate Washer	37 408528	Disc Follower Releasing Lever Actuating Lever Bracket Complete
10 514607	Disc (buttonhole) Needle Position Follower Selector Stud Nut	38 549301	Disc Follower Releasing Lever Actuating Lever Bracket Screw (2)
11 408518	Disc Pattern Selector Plate Complete	39 408542	Disc (feed control) Follower Releasing Lever Actuating Lever Return Spring
12 44371	Disc Pattern Selector Cam Ring	40 408548	Needle Position Releasing Lever Connection
13 408527	Disc Pattern Selector Cam Shaft Washer	41 408537	Disc (feed control) Follower Releasing Lever Actuating Lever Complete
14 408526	Disc Pattern Selector Cam Shaft Thrust Washer (2)	42 408274	Disc Follower Releasing Lever Actuating Lever Stud Ring
15 408115	Disc Needle Position Follower Selector Positioning Plate	43 408547	Needle Position Releasing Lever Connection Adjusting Plate
16 549301	Disc Needle Position Follower Selector Positioning Plate Screw	44 408454	Needle Position Releasing Lever Connection Ring
17 408030	Disc Needle Position Follower Selector Positioning Pawl Retaining Ring	45 549324	Needle Position Releasing Lever Connection Adjusting Plate Screw (2)
18 408117	Disc Needle Position Follower Selector Positioning Pawl	46 544086	Needle Position Releasing Lever Actuating Lever Hinge Screw
19 408118	Disc Needle Position Follower Selector Positioning Pawl Spring	47 408543	Needle Position Releasing Lever Actuating Lever
20 408533	Disc Feed Control Follower Slide Block Lever bracket	48 549324	Needle Position Releasing Lever Adjusting Plate Screw
21 549301	Disc Feed Control Follower Slide Block Lever Bracket Screw (2)	49 408544	Needle Position Releasing Lever Adjusting Plate Complete
22 549357	Disc Pattern Selector Plate Screw (2)	50 408145	Disc Follower Actuating Plate Lever Complete
23 544088	Disc Pattern Selector Plate Screw	51 544090	Disc Follower Actuating Plate Lever Complete Set Screw
24 408113	Disc Follower Actuating Plate Guide	52 408661	Disc Pattern Selector Cam Complete
25 549324	Disc Follower Actuating Plate Guide Screw (2)	53 408521-452	Disc Pattern Selector Dial Complete
26 408114	Disc Follower Actuating Plate Adjusting Plate	54 544104	Disc Pattern Selector Dial Set Screw (2)
27 408110	Disc Follower Actuating Plate Complete	55 408681	Disc Pattern Selector Plate Complete
28 549301	Disc Follower Actuating Plate Adjusting Plate Screw (2)		



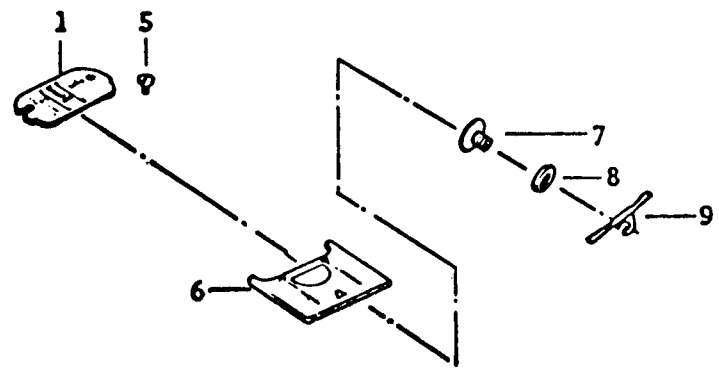


PART NO.	DESCRIPTION	PART NO.	DESCRIPTION
1 544103	Feed Dog Screw (2)	34 408278	Feed Regulator Slide Block Drive Connection Complete
2 409262	Feed Dog	35 511213	Feed Regulator Slide Block Stud Retaining Ring
3 408276	Feed Bar Complete	36 511484-900	Feed Regulator Complete
4 408275	Feed Dog Holder	37 500391	Feed Regulator Set Screw
5 511052	Feed Dog Holder Stud	38 511030	Feed Regulator Slide Block
6 408270	Feed Bar	39 503325	Feed Lifting Fork Complete
7 408274	Feed Dog holder Stud Retaining Ring	40 514685-451	Feed Lifting Fork Connection Hinge Stud (eccentric) Set Screw
8 511210	Feed Dog holder Stud Washer	41 511057	Feed Lifting Fork Hinge Stud
9 544100	Feed Dog holder Stud Screw	42 549358	Feed Lifting Fork Hinge Stud Set Screw
10 408272	Feed Bar Pivot Hinge Stud Complete	43 408274	Feed Lifting Fork Hinge Stud Retaining Ring
11 511038	Feed Bar Pivot Hinge Stud Adjusting Pin (eccentric)	44 511016	Feed Lifting Fork Connection
12 544099	Feed Bar Pivot Hinge Stud Lock Screw	45 511044	Feed Bar Connection and Feed Lifting Fork Connection Hinge Stud (eccentric)
13 511211	Feed Bar Pivot Hinge Stud Spring Washer	46 319561	Feed Bar Connection and Feed Lifting Fork Connection Hinge Stud (eccentric) Ring (2)
14 408273	Feed Bar Pivot Hinge Stud Retaining Ring	47 511213	Feed Bar Connection and Feed Lifting Fork Connection Hinge Stud (eccentric) Ring
15 174216	Feed Dog Holder Compensating Link	48 507722	Feed Bar Connection and Feed Lifting Fork Connection Hinge Stud (eccentric) Spring Washer
16 312284	Feed Dog Holder Compensating Link Retaining Spring	49 549308	Feed Bar Connection and Feed Lifting Fork Connection Hinge Stud (eccentric) Set Screw
17 544102	Feed Dog Holder Compensating Link Screw Stud	50 511056	Feed Lifting Fork Connection Hinge Stud (eccentric)
18 182239	Feed Bar Pivot Hinge Stud Spring	51 408277	Feed Lifting Fork Complete
19 511233	Feed Bar Pivot Hinge Stud Adjusting Pin (eccentric) Center (front)	52 409297	Feed Bar Complete
20 549358	Feed Bar Pivot Hinge Stud Adjusting Pin (eccentric) Center (front) Set Screw	53 511479-900	Feed Bar Connection
21 408280	Feed Bar Pivot Hinge Stud Adjusting Pin (eccentric) Center (back)	54 381572-900	Feed Bar Connection Ball Bushing
22 544101	Feed Bar Pivot Hinge Stud Adjusting Pin (eccentric) Center (back) Set Screw		
23 174488	Feed Drive Shaft Driving Gear (helical, plastic) Complete		
24 141816	Feed Drive Shaft Driving Gear (helical, plastic) Set Screw		
25 408274	Feed Drive Shaft Retaining Ring		
26 549358	Feed Drive Shaft Bushing (left and right) Set Screw (2)		
27 383011	Feed Drive Shaft Bushing (left and right) (2)		
28 174491	Feed Drive Shaft Gear Complete		
29 141338	Feed Drive Shaft Gear (helical, plastic) Screw		
30 181598	Feed Drive Shaft		
31 382712-900	Feed Lifting Cam and Feed Eccentric Complete		
32 141802	Feed Lifting Cam and Feed Eccentric Set Screw (2)		
33 174277	Feed Lifting Cam and Feed Eccentric Retaining Ring		

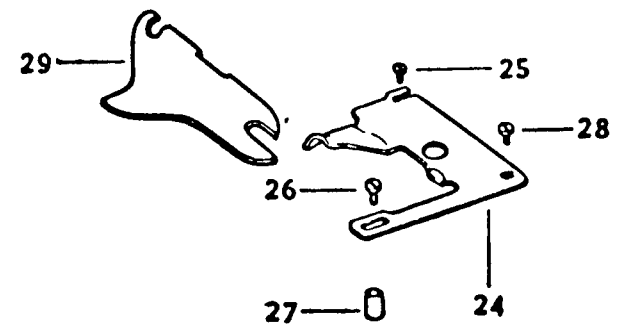
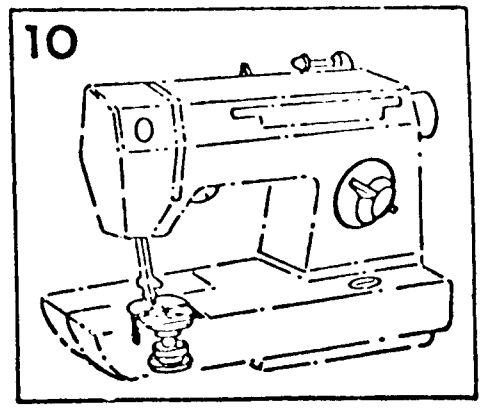
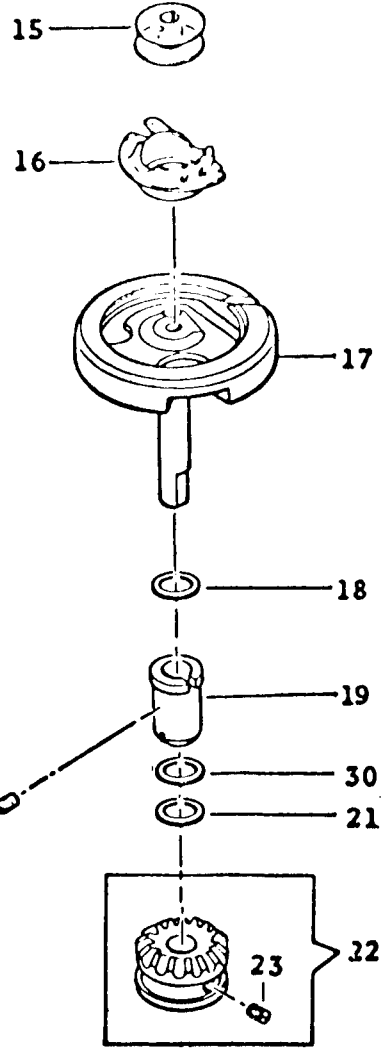


PART NO.	DESCRIPTION	PART NO.	DESCRIPTION
1 408170	Feed Regulator Shaft	35 408663	Feed Regulator Shaft Crank Actuating Lever (body) Complete
2 181898-901	Feed Regulator Shaft Bushing (left)	36 408274	Feed Regulator Shaft Retaining Ring
3 408285	Feed Regulator Shaft Tension Spring Adjusting Collar Complete	37 408343	Feed Control Knob Complete
4 544104	Feed Regulator Shaft Tension Spring Adjusting Collar Set Screw	38 408340	Feed Control Knob Ring (plastic)
5 408569	Feed Regulator Shaft Tension Spring	39 182181	Feed Control Cam Bushing
6 408274	Feed Regulator Shaft Tension Spring Retaining Ring	40 408341	Feed Control Knob Ring Retaining Cup
		41 408347	Feed Control Cam Complete
		42 408348	Feed Control Cam Bushing Spring washer
		43 408349	Feed Control Cam Bushing Spacer
8 181898-901	Feed Regulator Shaft Bushing (right)	44 408350	Feed Control Cam Bushing Retaining Ring
9 408339	Disc Controlled Feed Crank Actuating Lever and Ball Stud (eccentric) Complete	45 408030	Feed Control Knob Shaft Retaining Ring
10 408337	Disc Controlled Feed Crank Actuating Lever Ball Stud (eccentric)	46 409294	Feed Regulator Shaft Thrust Washer (2)
11 408338	Disc Controlled Feed Crank Actuating Lever Ball Stud (eccentric) Retaining Ring	47 409293	Feed Regulator Shaft Retaining Ring
12 544150	Disc Controlled Feed Crank Actuating Lever Ball Stud (eccentric) Set Screw	48 543598	Feed Regulator Shaft Crank Thrust Washer
13 408672	Disc Controlled Feed Crank Bracket Complete		
14 544107	Disc Controlled Feed Crank Hinge Screw		
15 408316	Disc Controlled Feed Crank Returning Spring		
16 408671	Disc Controlled Feed Crank Bracket (body) Complete		
17 408675	Reverse Feed Crank Complete		
18 549366	Reverse Feed Crank Set Screw (2)		
19 408319	Reverse Feed Lever Complete		
20 549366	Reverse Feed Lever Set Screw		
21 408331	Reverse Feed Crank Returning Spring		
22 408320	Reverse Feed Lever Shaft		
23 549886	Reverse Feed Lever Shaft Retaining Ring (2)		
24 408332	Feed Control Cam Support		
25 549357	Feed Control Cam Support Set Screw		
26 408187	Feed Control Mounting Bracket		
27 544185	Reverse Feed Crank Stopper Screw		
28 545483	Reverse Feed Crank Stopper Screw Nut		
29 549357	Disc Controlled Feed Controlling Lever Bracket Screw		
30 544074	Feed Control Mounting Bracket Screw (3)		
31 408674	Feed Control Mounting Bracket Complete		
32 408668	Feed Regulator Shaft Crank and Link Complete		
33 408655	Disc Controlled Feed Crank Link Retaining Ring		
34 549293	Feed Regulator Shaft Crank Set Screw (2)		

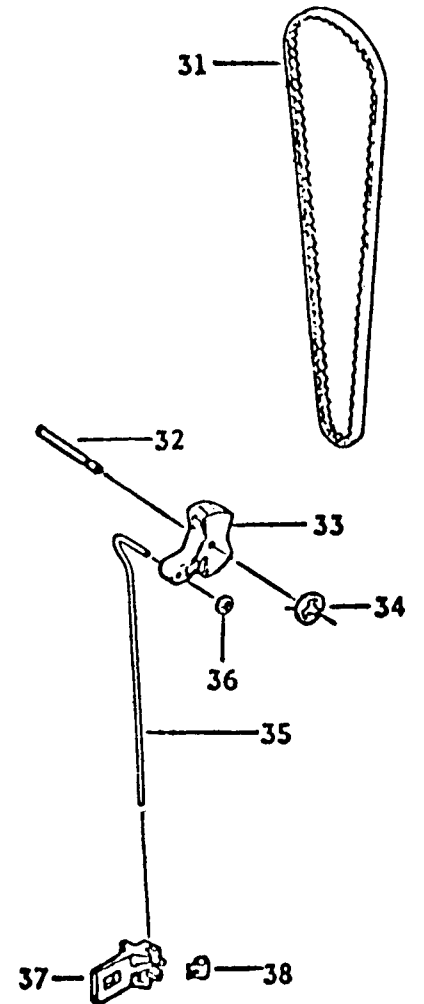
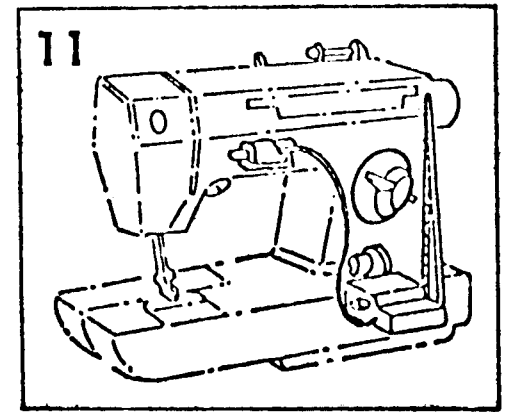
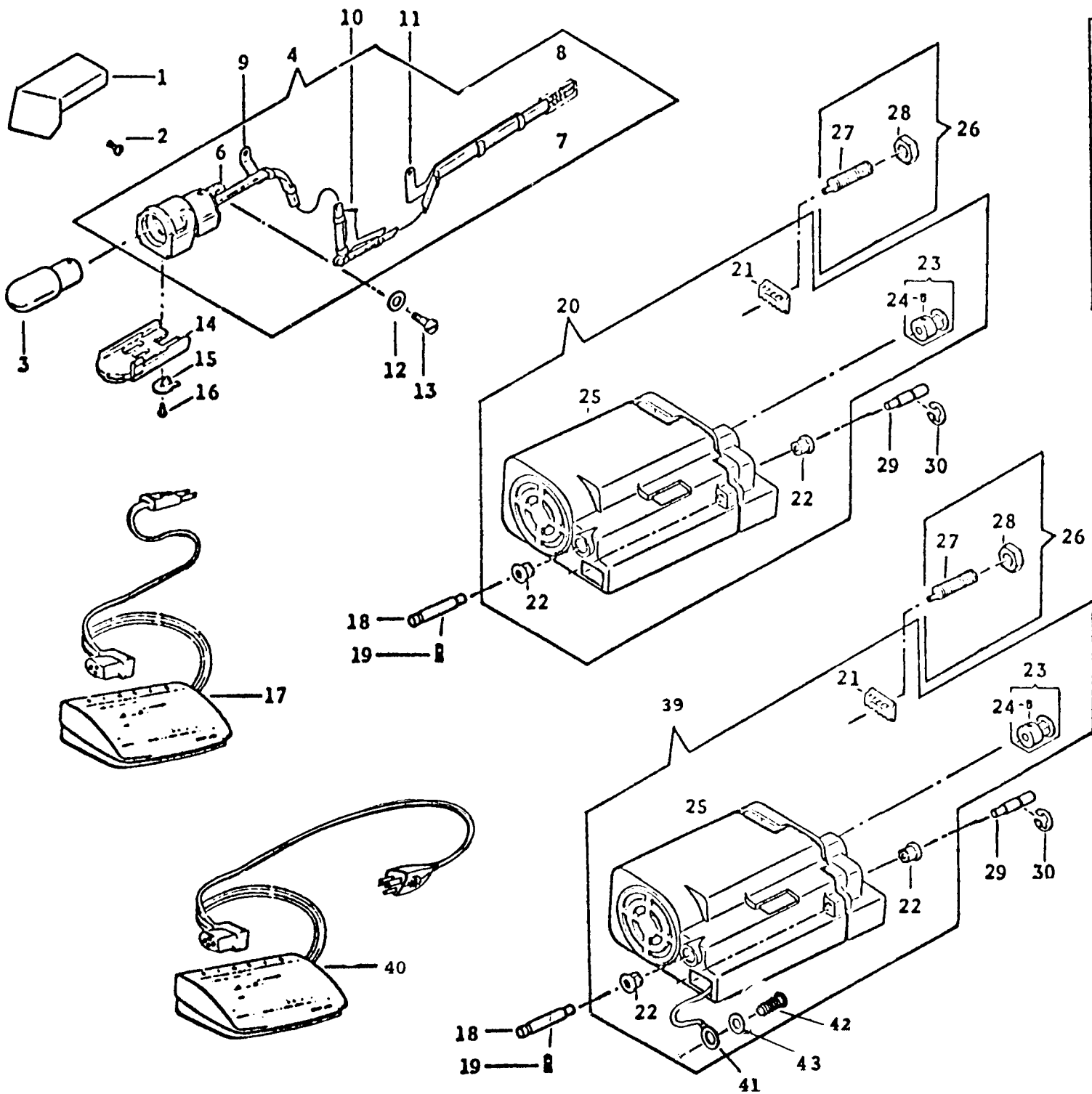
- 2 — [Screw]
- 3 — [Washer]
- 4 — [Nut]



- 10 — [Screw]
- 11 — [Screw]
- 12 — [Nut]
- 13 — [Washer]
- 14 — [Nut]

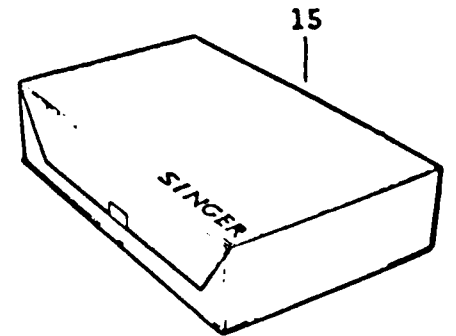
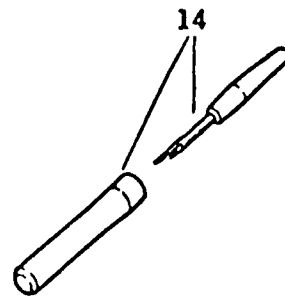
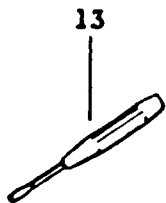
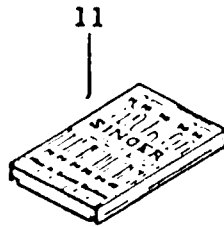
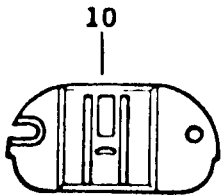
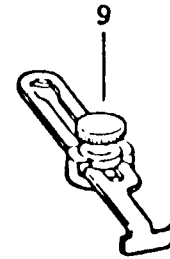
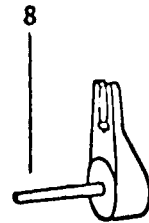
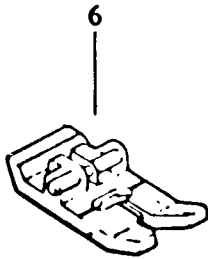
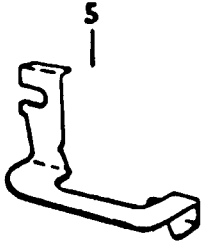
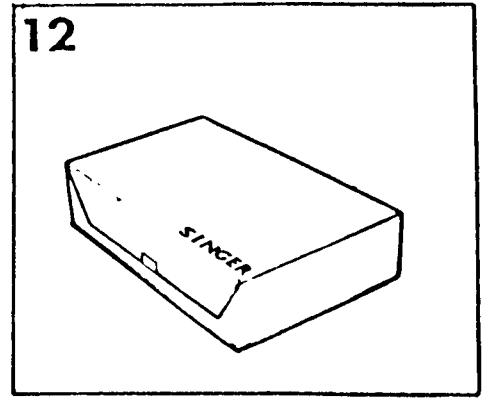
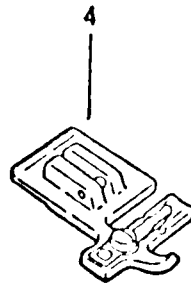
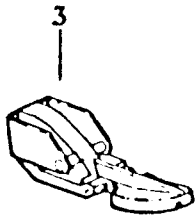
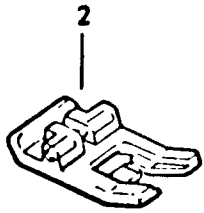
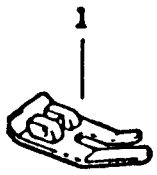


PART NO.	DESCRIPTION					
1 409286	Throat Plate (for zigzag)					
2 409285	Throat Plate Plunger					
3 540104	Throat Plate Plunger Spring					
4 549886	Throat Plate Plunger Snap Ring					
5 549192-840	Throat Plate Guide Screw					
6 408034	Bed Slide with window (plastic)					
7 544080	Bed Slide Spring Screw					
8 408098	Bed Slide Spring Screw Washer					
9 408035	Bed Slide Spring					
10 381690	Rotating Hook Bobbin Case Retaining Plate					
11 544170	Rotating Hook Bobbin Case Retaining Plate Stud					
12 381728	Rotating Hook Bobbin Case Retaining Plate Stud Washer					
13 319735	Rotating Hook Bobbin Case Retaining Plate Stud Spring					
14 541161	Rotating Hook Bobbin Case Retaining Plate Stud Nut (2)					
15 172336	Rotating Hook Bobbin (plastic)					
16 310885	Rotating Hook Bobbin Case Complete					
17 546240	Rotating Hook					
18 543598	Rotating Hook Shaft Bushing (eccentric) Thrust Washer					
19 382860-902	Rotating Hook Shaft Bushing (eccentric)					
20 549366	Rotating Hook Shaft Bushing (eccentric) Set Screw					
21 409279-000 -005	Rotating Hook Bevel Gear Positioning Shim					
22 382879	Rotating Hook Bevel Gear Complete					
23 141338	Rotating Hook Bevel Gear Set Screw					
24 44873	Rotating Hook Bobbin Case Position Plate					
25 544033	Rotating Hook Bobbin Case Position Plate Screw (right)					
26 544186	Rotating Hook Bobbin Case Position Plate Screw (left)					
27 408676	Rotating Hook Bobbin Case Position Plate Collar					
28 354227	Rotating Hook Bobbin Case Position Plate and Retaining Plate (adjustable) Screw					
29 381903	Rotating Hook Bobbin Case Retaining Plate (adjustable)					
30 543598	Rotating Hook Bevel Gear (plastic) Thrust Washer					



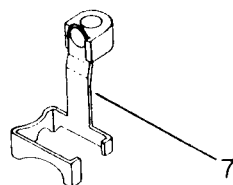
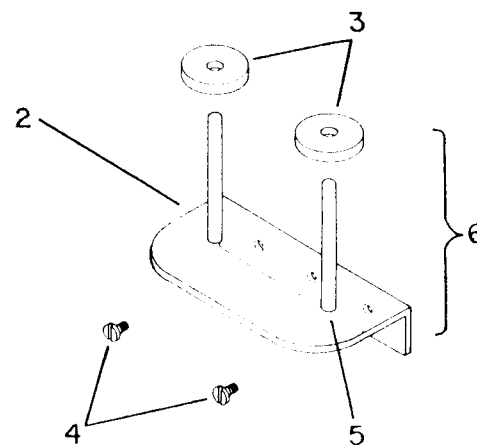
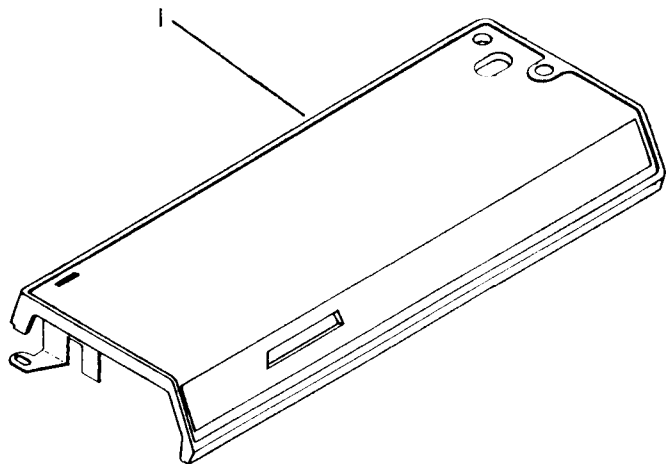
PART NO.	DESCRIPTION					
1 542657	Light Shield					
2 549357	Light Shield Screw					
3 542656-000	Lamp					
4 542768-000	Socket with Cord and Bracket Complete					
6 604026-901	Light Mounting Bracket					
7 618514-902	Light Cord Pin Terminal (2)					
8 604859	Light Cord Plug					
9 542661	Light Cord Harness Bracket (top)					
10 542662	Light Cord Harness Bracket (intermediate)					
11 42436	Light Cord Harness Bracket (bottom)					
12 544190	Light Mounting Bracket Friction Washer					
13 544123	Light Mounting Bracket Hinge Screw					
14 604128-902	Light Lens					
15 603959-901	Light Lens Washer					
16 544121	Light Lens Screw					
17 540892-000	Controller Complete					
18 542653	Motor Hinge Pin (left)					
19 544104	Motor Hinge Pin (left) Set Screw					
20 542822-000	Motor Complete					
21 604228-001	Motor Adjusting Block					
22 604229-001	Motor Hinge Pin Bushing (2)					
23 542650	Motor Belt Pulley Complete					
24 549293	Motor Belt Pulley Screw					
25 542820-000	Motor Complete					
26 408460	Motor Adjusting Stud (eccentric) with Nut					
27 544122	Motor Adjusting Stud (eccentric)					
28 541157	Motor Adjusting Stud (eccentric) Nut					
29 542654	Motor Hinge Pin (right)					
30 408274	Motor Hinge Pin (right) Retaining Ring					
31 408459	Motor Belt					
32 542659	Light Switch Actuating Lever Rocker Button Hinge Pin					
33 542658-453	Light Switch Actuating Lever Rocker Button					
34 408030	Light Switch Actuating Lever Rocker Button Hinge Pin Ring					
35 542718	Light Switch Actuating Lever Rod					
36 408454	Light Switch Actuating Lever Rod Ring					
37 502479	Light Switch Actuating Bracket					
38 382330	Light Switch Actuating Bracket Spring Clip					
39 542822-022	Motor Complete (Grounded Version)					
40 603864-006	Foot Controller Complete					
41 542957-001	Grounding Lead Wire Complete					
42 544078-002	Grounding Screw					
43 543814-002	Grounding Lead Screw Lock Washer					





PART NO.	DESCRIPTION				
1 541587	Presser Foot Plate (snap-on) (for straight stitching)				
2 171463	Special Purpose Presser Foot Plate (snap-on) (plastic)				
3 171480	Zipper Foot Plate (snap-on)				
4 543106	Shirring Foot				
5 171110	Special Guide (for blind stitching)				
6 506377	Presser Foot Plate (snap-on) (for buttonhole stitching)				
7 540165-454	Arm Top Cover Spool Pin Thread Lead-off Complete				
8 408677-001	Spool Pin (for twin needle sewing)				
9 161172	Seam Guide Complete				
10 409298	Feed Cover Plate (for darning)				
11 351275	Needle Pack (plastic) with Needles				
12 172336	Rotating Hook Bobbin (4)				
13 161295-451	Screw Driver (small)				
14 546357	Buttonhole Cutter and Ripper				
15 543082	Accessory Box				

SUPPLEMENTAL  
LIST OF PARTS 935 U



NO.	PART NO.	DESCRIPTION
1	409602	ARM TOP COVER COMPLETE
2	409604-900	SPOOL HOLDER MOUNTING PLATE
3	505008	FELT WASHER
4	544134-453	SPOOL HOLDER MOUNTING SCREW
5	409605-900	SPOOL HOLDER PIN
6	409603	SPOOL HOLDER COMPLETE
7	381205	NEEDLE GUARD COMPLETE

THIS LIST OF PARTS MUST BE USED IN CONJUNCTION WITH FORM U-3072 (878).