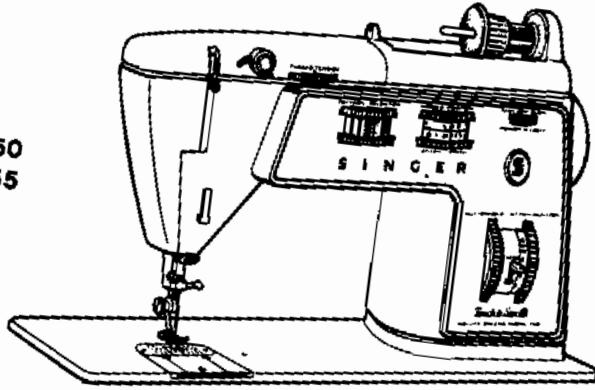
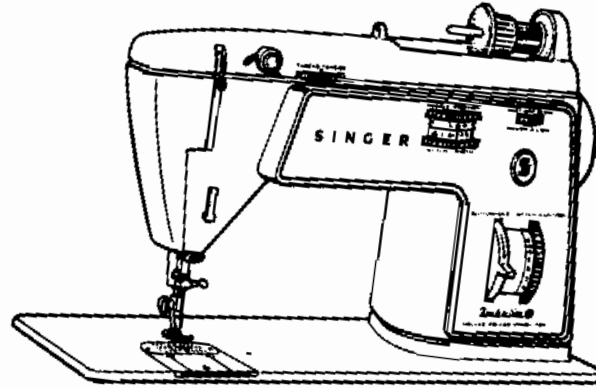


# List of Parts - Touch & Sew Machines

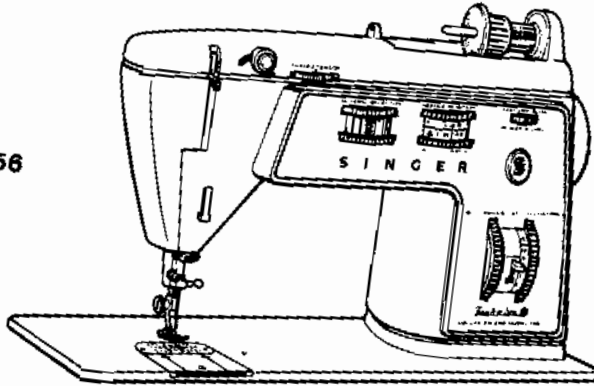
750  
755



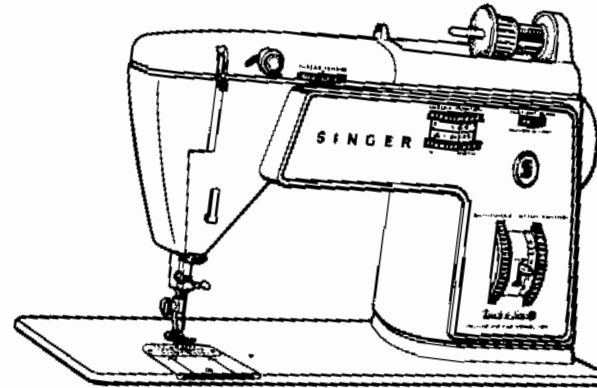
737



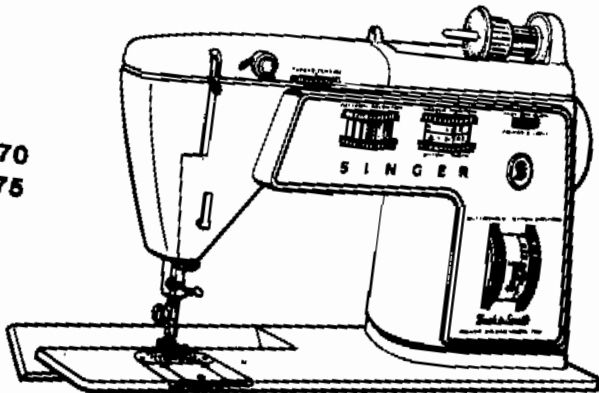
756



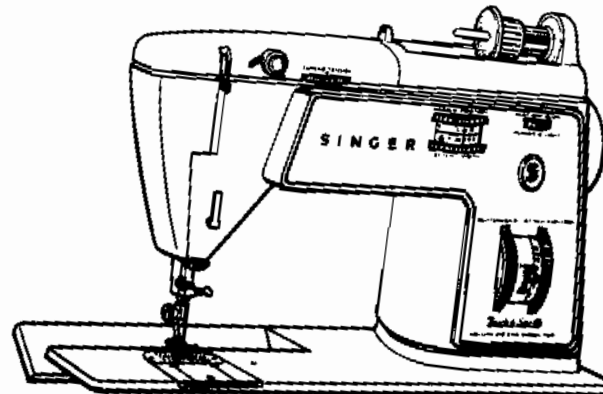
758



770  
775



778



730-700E Series — Touch & Sew Machines (177)

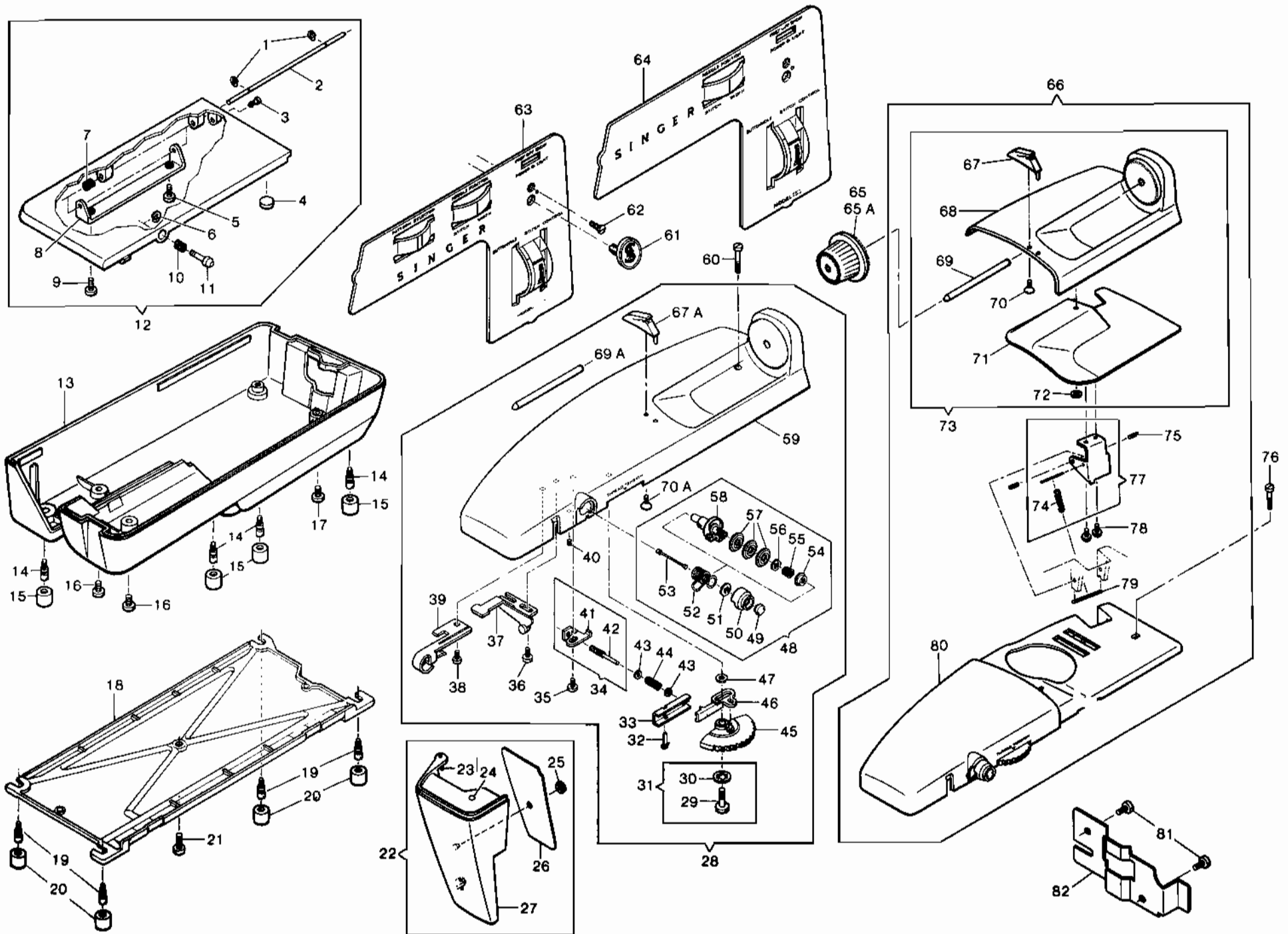
## List of Parts - Touch & Sew Machines (ATTACHMENT SETS)

PART NO.	FLAT BED					CONV. BED			PART DESCRIPTION
	737	750	755	756	758	770	775	778	
103473	x	x	x	x	x	x	x	x	Needle Pack (plastic) with Needles Catalog 2028 and Two each Cat. 2020 and Cat. 2045
161166	x								Presser Foot complete, for cording and slide fastener work
161172	x	x	x	x	x	x	x	x	Seam and Blindstitch Hem Guide complete
161917-001		x	x	x	x	x	x	x	Presser Foot Plate (snap-on) for sewing buttonholes
161919	x	x	x	x	x	x	x	x	Presser Foot Plate (snap-on) for Straight sewing
161960		x		x					Glassine Envelope with two Needle Threader Hooks and Instruction Form 21632
163131	x		x	x	x	x	x	x	Bobbin (3)
163131		x							Bobbin (6)
163455		x	x	x	x	x	x	x	Chainstitch Attachment Thread Guide
171138	x	x	x	x	x	x	x	x	Feed Cover Plate, for darning and embroidery
171150-656	x	x	x	x	x	x	x	x	Spool Pin, for twin-needle sewing
171230-656		x	x		x	x	x	x	Attachment Box complete
171234-656				x					Attachment Box complete
171317		x	x		x	x	x	x	Disc No. 1, for Arrowhead Stitch
171318		x	x			x	x		Disc No. 2, for Scallop Stitch
171319		x			x			x	Disc No. 3, for Diamond Stitch
171320		x	x			x	x		Disc No. 4, for Solid Scallop Stitch
171321		x							Disc No. 5, for Banner Stitch
171322					x			x	Disc No. 6, for Crescent Stitch
171323					x			x	Disc No. 8, for Blind Stitch
171324					x			x	Disc No. 9, for Multiple Zig-Zag Stitch
171325					x			x	Disc No. 10, for Ball Stitch
171326		x							Disc No. 11, for Ribbon Stitch
171327		x							Disc No. 12, for Domino Stitch
171328					x			x	Disc No. 18, for Solid Pyramid Stitch
171329		x							Disc No. 19, for Block Stitch

## List of Parts - *Touch & Sew* Machines (ATTACHMENT SETS)

PART NO.	FLAT BED					CONV. BED			PART DESCRIPTION
	737	750	755	756	758	770	775	778	
171412		x	x	x	x	x	x	x	Chainstitch Attachment Loop Retainer Disc (plastic)
171460		x	x		x	x	x	x	Presser Foot Plate (snap-on, slotted) for Overedge Stretch Stitch
171463	x	x	x	x	x	x	x	x	Special Purpose Presser Foot Plate (snap-on)
171467		x	x	x	x	x	x	x	Chainstitch Attachment Throat Plate
171468	x	x	x	x	x	x	x	x	Throat Plate, for Straight Sewing
171480		x	x	x	x	x	x	x	Presser Foot Plate (snap-on) for Cording and Slide Fasteners
172691					x			x	Disc (double) No. 51, for Feather Stitch
172692		x	x		x	x	x	x	Disc (double) No. 52, for Duck Stitch
172693		x	x			x	x		Disc (double) No. 53, for Paris Point Stitch
172694		x	x		x	x	x	x	Disc (double) No. 54, for Turkish Hemstitch
172695		x	x			x	x		Disc (double) No. 55, for Overedge Stitch
172696		x	x		x	x	x	x	Disc (double) No. 56, for Star Stitch
172697		x							Disc (double) No. 57, for Leaf Stitch
172698		x							Disc (double) No. 58, for Sunburst Stitch
381028	x								Attachment Box (cardboard carton)
381066	x	x	x	x	x	x	x	x	Presser Foot, for button sewing
381238		x	x		x	x	x	x	Disc (double) No. 59, for Overedge Stretch Stitch
501750		x	x	x		x	x		Lint Brush
506415-452						x			Even Feed Foot Complete
171487		x							Attachment Set Complete
171488				x					Attachment Set Complete
171489					x			x	Attachment Set Complete
381029	x								Attachment Set Complete
381212			x				x		Attachment Set Complete
381312						x			Attachment Set Complete

# List of Parts - Touch & Sew Machines (COVERS)



## List of Parts - *Touch & Sew* Machines (COVERS)

NO.	PART NO.	FLAT BED					CONV. BED			PART DESCRIPTION
		737	750	755	756	758	770	775	778	
1	507563						x	x	x	Bed (convertible) Lid Hinge Pin Retaining Ring (2)
2	382741						x	x	x	Bed (convertible) Lid Hinge Pin
3	381878						x	x	x	Bed (convertible) Lid Positioning Button (plastic)
4	619491-001						x	x	x	Bed (convertible) Lid Pad
5	141860-814						x	x	x	Bed (convertible) Lid Hinge Bracket Screw
6	182195						x	x	x	Bed (convertible) Lid Latch Retaining Ring
7	381876						x	x	x	Bed (convertible) Lid Hinge Spring
8	382740						x	x	x	Bed (convertible) Lid Hinge Bracket
9	141860-814						x	x	x	Bed (convertible) Lid Hinge Bracket Screw
10	381877						x	x	x	Bed (convertible) Lid Latch Spring
11	382983-451						x	x	x	Bed (convertible) Lid Latch (plastic)
12	382716-451						x	x	x	Bed (convertible) Lid Complete
13	382721-451						x	x	x	Bed (convertible) Cover (bottom)
14	354222-451						x	x	x	Bed (convertible) Cover (bottom) Cushion Screw (4)
15	381899						x	x	x	Bed (convertible) Cover (bottom) Cushion (rubber) (4)
16	354170-451						x	x	x	Bed (convertible) Cover (bottom) Fastening Screw
17	" "						x	x	x	Bed (convertible) Cover (bottom) Fastening Screw
18	174421-656	x	x	x	x	x				Bed Cover Plate (bottom, plastic)
19	141882-809	x	x	x	x	x				Bed Cover Plate (bottom) Cushion Screw (4)
20	174124	x	x	x	x	x				Bed Cover Plate (bottom) Cushion (rubber) (4)
21	139861-856	x	x	x	x	x				Bed Cover Plate (bottom) Fastening Screw
22	174178-656	x	x	x	x	x	x	x	x	Face Plate with 21440-814, 172804, 174470-656 and two 170032
23	170032	x	x	x	x	x	x	x	x	Face Plate Hinge Pin (2)
24	21440-814	x	x	x	x	x	x	x	x	Face Plate Catch Locking Pin
25	172804	x	x	x	x	x	x	x	x	Threading Diagram Retainer
26	174470-656	x	x	x	x	x	x	x	x	Threading Diagram
27	174177-656	x	x	x	x	x	x	x	x	Face Plate with 21440-814 and two 170032
28	182213-45	x			x					Arm Top Cover Complete
29	354623-451	x	x	x	x	x	x	x	x	Tension Indicator Dial Hinge Screw
30	506479	x	x	x	x	x	x	x	x	Tension Indicator Dial Hinge Screw Friction Washer
31	383074	x	x	x	x	x	x	x	x	Kit Consisting of Washer 506479 and screw 354623-451
32	172906	x	x	x	x	x	x	x	x	Tension Regulating Slide Plate Spring Clip
33	174404	x	x	x	x	x	x	x	x	Tension Regulating Slide Plate
34	172867	x	x	x	x	x	x	x	x	Tension Spring Adjusting Screw Mounting Bracket 172866 with 139925-451
35	141879-803	x	x	x	x	x	x	x	x	Tension Spring Adjusting Screw Mounting Bracket Screw
36	141877-814	x	x	x	x	x	x	x	x	Tension Releasing Lever Mounting Bracket Screw
37	174406	x	x	x	x	x	x	x	x	Tension Releasing Lever
38	141246-814	x	x	x	x	x	x	x	x	Face Plate Catch Screw
39	182198	x	x	x	x	x	x	x	x	Face Plate Catch
40	139878-869	x	x	x	x	x	x	x	x	Tension Stud Set Screw

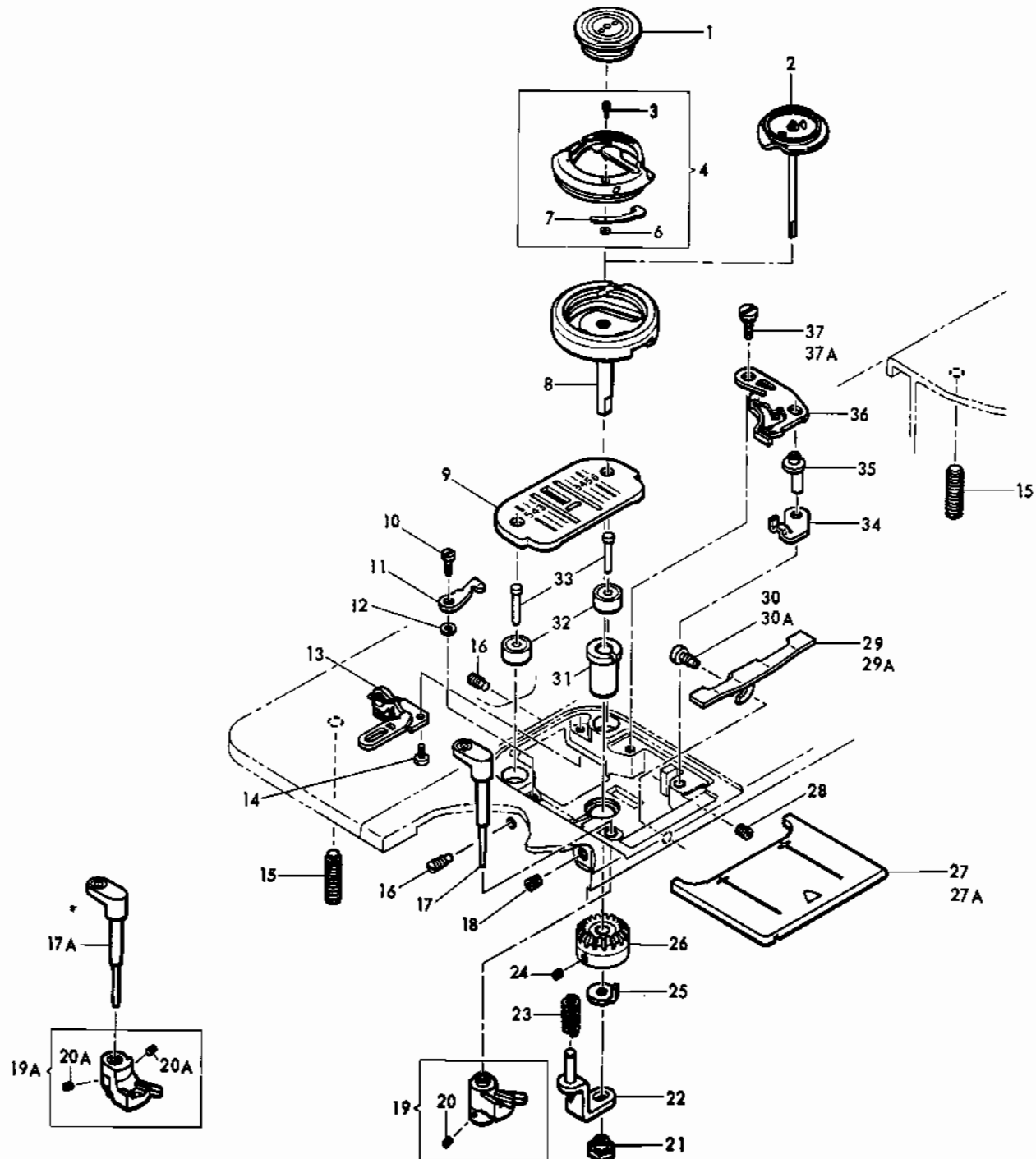
## List of Parts - Touch & Sew Machines (COVERS)

NO.	PART NO.	FLAT BED					CONV. BED			PART DESCRIPTION
		737	750	755	756	758	770	775	778	
41	172866	x	x	x	x	x	x	x	x	Tension Spring Adjusting Screw Mounting Bracket
42	139825-451	x	x	x	x	x	x	x	x	Tension Spring Adjusting Screw
43	172731	x	x	x	x	x	x	x	x	Tension Spring Adjusting Screw Washer (2)
44	172865	x	x	x	x	x	x	x	x	Tension Spring
45	174400-656	x	x	x	x	x	x	x	x	Tension indicator Dial (plastic)
46	174403	x	x	x	x	x	x	x	x	Tension Regulating Slide
47	172675	x	x	x	x	x	x	x	x	Tension Indicator Dial Washer
48	172819-656		x				x			Tension Complete
	172820-656	x		x	x	x		x	x	Tension Complete
49	174395-644		x				x			Tension Cap and Slack Thread Regulator Nut
	174395-839	x		x	x	x		x	x	Tension Cap and Slack Thread Regulator Nut
50	174393-656	x	x	x	x	x	x	x	x	Tension Cap and Slack Thread Regulator (plastic)
51	174394	x	x	x	x	x	x	x	x	Tension Cap and Slack Thread Regulator Friction Washer
52	174416	x	x	x	x	x	x	x	x	Thread Take-up Spring
53	174397	x	x	x	x	x	x	x	x	Tension Disc Pressure Pin
54	174419	x	x	x	x	x	x	x	x	Pre-Tension Spring Adjusting Nut
55	174418	x	x	x	x	x	x	x	x	Pre-Tension Spring
56	174398	x	x	x	x	x	x	x	x	Tension Disc Pressure Plate
57	174396	x	x	x	x	x	x	x	x	Tension Disc (3)
58	172690	x	x	x	x	x	x	x	x	Tension Stud
59	174359-656	x			x					Arm Top Cover
60	141875-879	x			x					Arm Top Cover Screw
61	174445	x	x	x	x	x	x	x	x	Control Panel Insert
62	141890-819	x	x	x	x	x	x	x	x	Control Panel Screw
63	172613				x					Control Panel
	174442		x							Control Panel
	382474			x						Control Panel
	382723							x		Control Panel
	383108						x			Control Panel
64	172622					x				Control Panel
	381602	x								Control Panel
	382725								x	Control Panel

# List of Parts - Touch & Sew Machines (COVERS)

NO.	PART NO.	FLAT BED					CONV. BED			PART DESCRIPTION
		737	750	755	756	758	770	775	778	
65	163149-003	x			x					Arm Top Cover Spool Pin Thread Lead-off Complete
65A	163149-004		x	x		x	x	x	x	Arm Top Cover Lid Spool Pin Thread Lead-off Complete
66	182212-415		x							Arm Top Cover with Arm Top Cover Lid Complete
	182214-451					x			x	Arm Top Cover with Arm Top Cover Lid Complete
	382472-451			x				x		Arm Top Cover with Arm Top Cover Lid Complete
	383107-451						x			Arm Top Cover with Arm Top Cover Lid Complete
67	381790-451		x	x		x	x	x	x	Arm Top Cover Lid Thread Guide Complete
67A	381790-451	x			x					Arm Top Cover Thread Guide Complete
68	174310-656		x	x		x	x	x	x	Arm Top Cover Lid
69	174391-656		x	x		x	x	x	x	Arm Top Cover Lid Spool Pin (plastic)
69A	174391-656	x			x					Arm Top Cover Spool Pin (plastic)
70	354143-451		x	x		x	x	x	x	Arm Top Cover Lid Thread Guide Screw
70A	354143-451	x			x					Arm Top Cover Thread Guide Screw
71	172752-656		x							Stitch Pattern Index Plate
	382481-451			x			x	x		Stitch Pattern Index Plate
	382772-451					x			x	Stitch Pattern Index Plate
72	172804		x	x		x	x	x	x	Stitch Pattern Index Plate Retainer
73	172998-451		x							Arm Top Cover Lid Complete
	172999-451					x			x	Arm Top Cover Lid Complete
	382473-451			x			x	x		Arm Top Cover Lid Complete
74	182219		x	x		x	x	x	x	Arm Top Cover Lid Hinge Spring
75	182218		x	x		x	x	x	x	Arm Top Cover Lid Hinge Pin (2)
76	141875-879		x	x		x	x	x	x	Arm Top Cover Screw
77	182217		x	x		x	x	x	x	Arm Top Cover Lid Hinge
78	141352-814		x	x		x	x	x	x	Arm Top Cover Lid Hinge Screw (2)
79	182220		x	x		x	x	x	x	Arm Top Cover Lid Hinge Spring Pin (lower)
80	182211-451		x	x		x	x	x	x	Arm Top Cover
81	141872-814	x	x	x	x	x				Bed Cover Plate (right side) Screw (2) (for Canada)
82	174422	x	x	x	x	x				Bed Cover Plate (right side) (for Canada)

# List of Parts - Touch & Sew Machines (HOOK AREA)

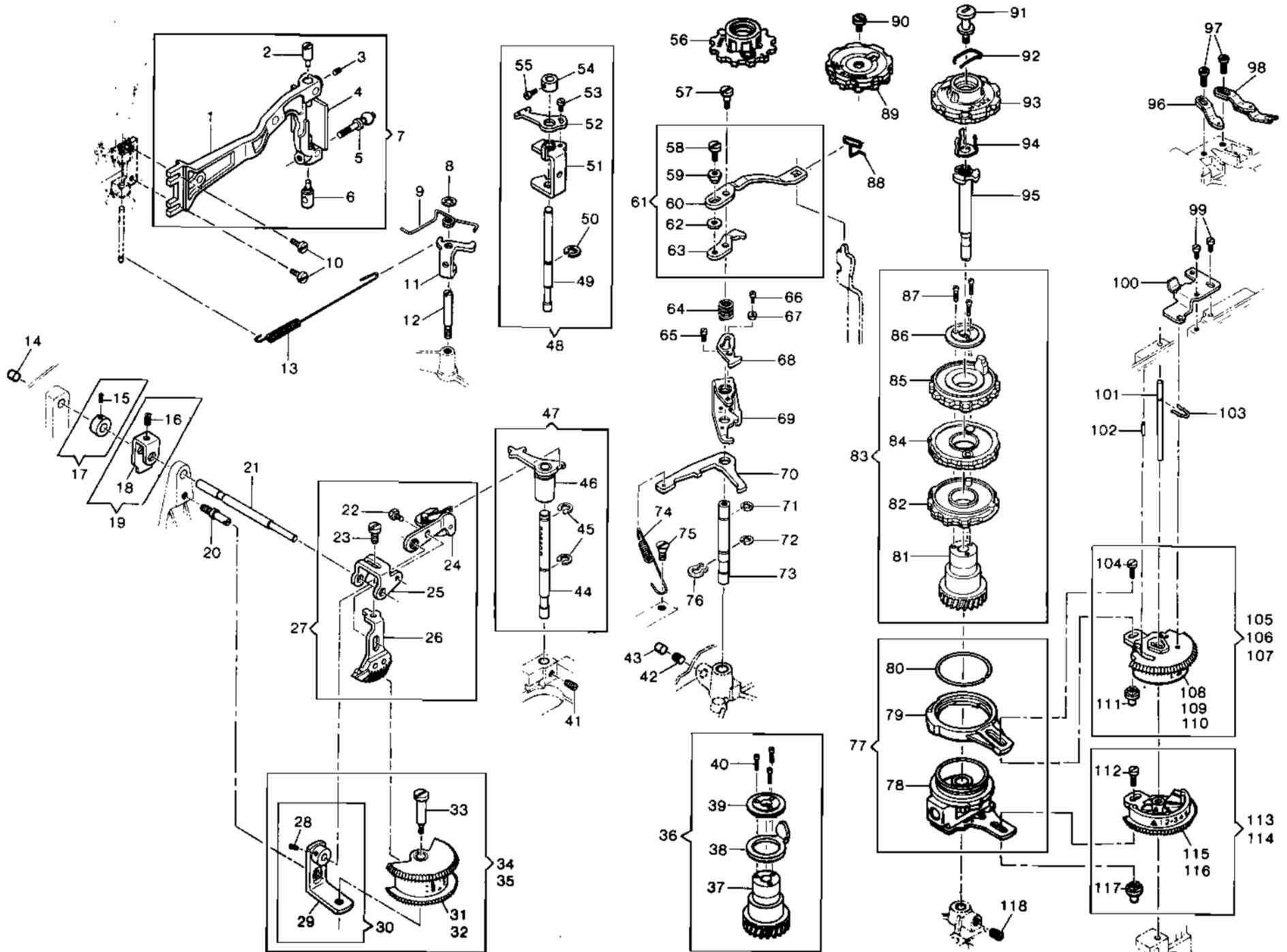




# List of Parts - Touch & Sew Machines (HOOK AREA)

NO.	PART NO.	FLAT BED					CONV. BED			PART DESCRIPTION
		737	750	755	756	758	770	775	778	
1	163131	x	x	x	x	x	x	x	x	Rotating Hook Bobbin
2	163246	x	x	x	x	x	x	x	x	Rotating Hook Bobbin Driver
3	141203-805	x	x	x	x	x	x	x	x	Rotating Hook Bobbin Latch Tension Spring Screw
4	163124-004	x	x	x	x	x	x	x	x	Rotating Hook Bobbin Case with 141203-805, 163042-001 and 163064
6	163064	x	x	x	x	x	x	x	x	Rotating Hook Bobbin Latch Tension Spring Screw Nut
7	163042-001	x	x	x	x	x	x	x	x	Rotating Hook Bobbin Latch Tension Spring
8	163289	x	x	x	x	x	x	x	x	Rotating Hook
9	181842	x	x	x	x	x	x	x	x	Throat Plate, for Zig-Zag Sewing
10	354136-452	x	x	x	x	x	x	x	x	Rotating Hook Bobbin Case Position Finger Screw
11	174230	x	x	x	x	x	x	x	x	Rotating Hook Bobbin Case Position Finger
12	172950	x	x	x	x	x	x	x	x	Rotating Hook Bobbin Case Position Finger Washer (thick)
	172961	x	x	x	x	x	x	x	x	Rotating Hook Bobbin Case Position Finger Washer (thin) (temporary measure)
13	174237	x	x	x	x	x	x	x	x	Thread Pull-off
14	141824-814	x	x	x	x	x	x	x	x	Thread Pull-off Mounting Bracket Screw
15	139950-451	x	x	x	x	x				Machine Hinge Connection Set Screw (2)
16	141825-830	x	x	x	x	x	x	x	x	Throat Plate Catch Pin Screw (2)
17	163786-656	x	x	x	x	x				Rotating Hook Bobbin Winder Actuating Lever Shaft with Lever
17A	382822-451						x	x	x	Rotating Hook Bobbin Winder Actuating Lever Shaft with Lever
18	354103-451	x	x	x	x	x	x	x	x	Rotating Hook Flanged Bushing Set Screw
19	163788	x	x	x	x	x				Rotating Hook Bobbin Winder Actuating Lever Shaft Cam with 141739-869
19A	382820						x	x	x	Rotating Hook Bobbin Winder Actuating Lever Shaft Cam with two 354247-451
20	141739-869	x	x	x	x	x				Rotating Hook Bobbin Winder Actuating Lever Shaft Cam Set Screw
20A	354247-451						x	x	x	Rotating Hook Bobbin Winder Actuating Lever Shaft Cam Set Screw (2)
21	163384	x	x	x	x	x	x	x	x	Rotating Hook Bobbin Driver Locator Nut
22	163793	x	x	x	x	x	x	x	x	Rotating Hook Bobbin Winder Lifting Bracket
23	163791	x	x	x	x	x	x	x	x	Rotating Hook Bobbin Winder Actuating Lever Shaft Cam Follower Spring
24	141338-869	x	x	x	x	x	x	x	x	Rotating Hook Bevel Gear (plastic) Set Screw
25	163247	x	x	x	x	x	x	x	x	Rotating Hook Bobbin Driver Locator
26	163329	x	x	x	x	x	x	x	x	Rotating Hook Bevel Gear (plastic) with 141338-869
27	172956	x	x	x	x	x				Bed Slide
27A	382859						x	x	x	Bed (convertible) Slide
28	141861-451	x	x	x	x	x	x	x	x	Rotating Hook Bobbin Case Cushion Spring Bracket Adjusting Stud (eccentric) Set Screw
29	172957	x	x	x	x	x				Bed Slide Spring
29A	382713						x	x	x	Bed (convertible) Slide Spring
30	141810-451	x	x	x	x	x				Bed Slide Spring Screw
30A	354519-451						x	x	x	Bed (convertible) Slide Spring Screw
31	172823	x	x	x	x	x	x	x	x	Rotating Hook Flanged Bushing
32	507196	x	x	x	x	x	x	x	x	Throat Plate Securing Magnet (2)
33	174256	x	x	x	x	x	x	x	x	Throat Plate Catch Pin (2)
34	172987	x	x	x	x	x	x	x	x	Rotating Hook Bobbin Case Cushion Spring Bracket Retaining Bracket
35	172988	x	x	x	x	x	x	x	x	Rotating Hook Bobbin Case Cushion Spring Bracket Adjusting Stud (eccentric)
36	382437	x	x	x	x	x	x	x	x	Rotating Hook Bobbin Case Cushion Spring Bracket
37	141820-451	x	x	x	x	x				Rotating Hook Bobbin Case Cushion Spring Bracket Hinge Screw
37A	354558-452						x	x	x	Rotating Hook Bobbin Case Cushion Spring Bracket Hinge Screw

# List of Parts - Touch & Sew Machines (CAM STACK AND FOLLOWERS)



# List of Parts - *Touch & Sew* Machines (CAM S). . . AND FOLLOWERS)

NO.	PART NO.	FLAT BED					CONV. BED			PART DESCRIPTION
		737	750	755	756	758	770	775	778	
1	172573	x	x	x	x	x	x	x	x	Needle Bar Driving Arm
2	172949	x	x	x	x	x	x	x	x	Needle Bar Driving Arm Plate Pin (upper, eccentric)
3	141802-869	x	x	x	x	x	x	x	x	Needle Bar Driving Arm Plate Pin (upper, eccentric) Set Screw
4	163565	x	x	x	x	x	x	x	x	Needle Bar Driving Arm Plate (plastic)
5	172575	x	x	x	x	x	x	x	x	Needle Bar Driving Arm Ball Pivot
6	163567	x	x	x	x	x	x	x	x	Needle Bar Driving Arm Plate Pin (lower, plastic)
7	172574	x	x	x	x	x	x	x	x	Needle Bar Driving Arm 172573 with 141802-869, 163565, 163567, 172575 and 172949
8	172948		x	x	x		x	x		Needle Bar Driving Arm Auxiliary Spring Retaining Ring
9	172900		x	x	x		x	x		Needle Bar Driving Arm Auxiliary Spring
10	139887-803	x	x	x	x	x	x	x	x	Needle Bar Driving Arm Hinge Bracket Screw (2)
11	172056		x	x	x	x	x	x	x	Needle Bar Driving Arm Plate Tension Arm
12	141842-803		x	x	x	x	x	x	x	Needle Bar Driving Arm Plate Tension Arm Screw Stud
13	172905		x	x	x		x	x		Needle Bar Driving Arm Tension Spring
	172057-001	x				x			x	Needle Bar Driving Arm Tension Spring
14	174462-656		x	x	x	x	x	x	x	Disc Selector Arm Shaft Cap (plastic)
	174462-656	x								Plug (plastic) (to plug shaft hole, back of machine)
15	141739-869		x	x	x		x	x		Needle Bar Driving Arm Plate Kick-out Follower Stop Collar Set Screw
16	141899-451		x	x	x		x	x		Needle Bar Driving Arm Plate Kick-out Follower Lever Set Screw
17	172667		x	x	x		x	x		Needle Bar Driving Arm Plate Kick-out Follower Stop Collar with 141739-869
18	174305		x	x	x		x	x		Needle Bar Driving Arm Plate Kick-out Follower Lever
19	172578		x	x	x		x	x		Needle Bar Driving Arm Plate Kick-out Follower Lever 174305 with 141899-451
20	172960		x	x	x		x	x		Disc Selector Dial Bracket Guide Screw Stud
21	174303		x	x	x		x	x		Disc Selector Arm Shaft
22	141892-814		x	x	x		x	x		Disc Selector Arm Extension Screw
23	141945-814		x	x	x		x	x		Disc Selector Arm Screw
24	172748		x	x	x		x	x		Disc Selector Arm Bracket with Kick-out Spring and Extension
25	172659		x	x	x		x	x		Disc Selector Arm
26	172665		x	x	x		x	x		Disc Selector Arm Gear Bracket
27	172660		x	x	x		x	x		Disc Selector Arm 172659 with 141892-814, 141945-814, 172665 and 172748
28	141739-869		x	x	x		x	x		Disc Selector Dial Bracket Screw
29	174353		x	x	x		x	x		Disc Selector Dial Bracket
30	174467		x	x	x		x	x		Disc Selector Dial Bracket 174353 with 141739-869
31	182140-451		x	x			x	x		Disc Selector Dial
32	182143-451				x					Disc Selector Dial
33	141895-451		x	x	x		x	x		Disc Selector Dial Hinge Screw
34	182142-451		x	x			x	x		Disc Selector Dial 182140-451 with 141895-451 and 174467
35	182145-451				x					Disc Selector Dial 182143-451 with 141895-451 and 174467
36	381576	x				x			x	Disc Driving Worm Wheel 381575 with 172699, 172700 and three 141841-451
37	381575	x				x			x	Disc Driving Worm Wheel (plastic)
38	172699	x				x			x	Disc Driving Plate
39	172700	x				x			x	Disc Driving Plate Clamping Plate

## List of Parts - Touch & Sew Machines

(CAM STACK AND FOLLOWERS)

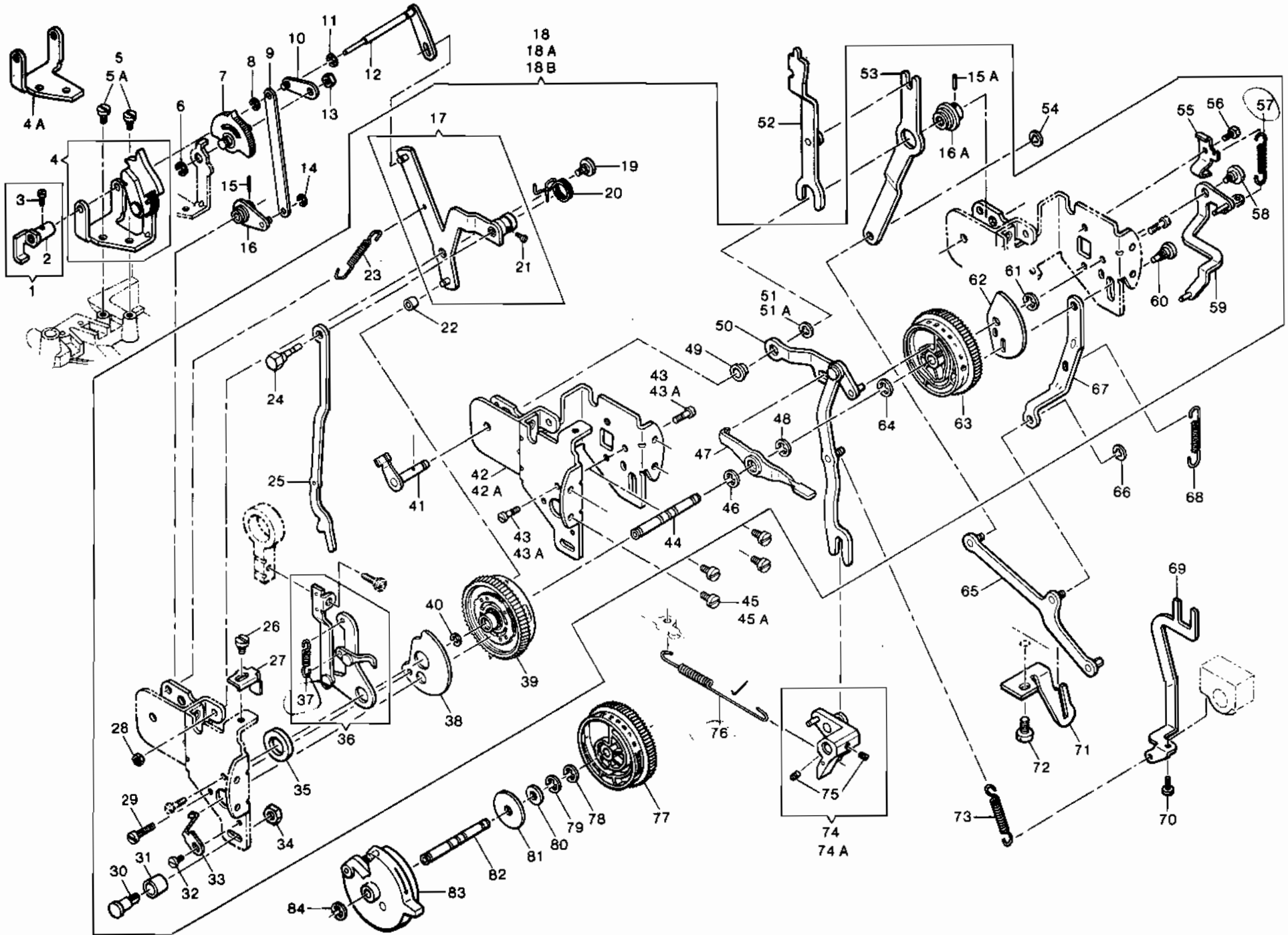
NO.	PART NO.	FLAT BED					CONV. BED			PART DESCRIPTION
		737	750	755	756	758	770	775	778	
40	141841-451	x				x			x	Disc Driving Plate Clamping Plate Screw (3)
41	141891-830		x	x	x		x	x		Disc Selector Arm Bracket Follower Index Pin Set Screw
	141891-830	x				x			x	Disc Follower Stud Set Screw
42	141886-451	x	x	x	x	x	x	x	x	Cam Controlled Feed Lever and Needle Position Cam Follower Bracket Mounting Stud Set Screw
43	172592-656	x	x	x	x	x	x	x	x	Plug (plastic) (to plug Set Screw Hole, back of machine)
44	174351		x	x	x		x	x		Disc Selector Arm Bracket Follower Index Pin
45	163221		x	x	x		x	x		Disc Selector Arm Bracket Follower Index Pin Retaining Ring (2)
46	174300		x	x	x		x	x		Disc Selector Arm Bracket Follower
47	172730		x	x	x		x	x		Disc Selector Arm Bracket Follower Index Pin 174351 with 174300 and two 163221
48	172857	x				x			x	Disc Follower 172853 with 141888-814, 151525, 172856, 174364 and 174365
49	174365	x				x			x	Disc Follower Stud
50	151525	x				x			x	Disc Follower Stud Retaining Ring
51	172856	x				x			x	Disc Follower Bracket
52	172853	x				x			x	Disc Follower
53	141888-814	x				x			x	Disc Follower Screw
54	174364	x				x			x	Disc Follower Collar with 141855-814
55	141855-814	x				x			x	Disc Follower Collar Set Screw
56	171316					x			x	Disc No. 0, for Zig-Zag Stitch
57	141953-803	x	x	x	x	x	x	x	x	Cam Controlled Feed Lever Follower Mounting Screw
58	141850-805	x	x	x	x	x	x	x	x	Cam Controlled Feed Lever Eccentric Screw
59	174325	x	x	x	x	x	x	x	x	Cam Controlled Feed Lever Eccentric
60	174323	x	x	x	x	x	x	x	x	Cam Controlled Feed Lever
61	174324	x	x	x	x	x	x	x	x	Cam Controlled Feed Lever 174323 with 141850-805, 174325, 174326 and 174370
62	174370	x	x	x	x	x	x	x	x	Cam Controlled Feed Lever Spacer
63	174326	x	x	x	x	x	x	x	x	Cam Controlled Feed Lever Follower
64	172826	x	x	x	x	x	x	x	x	Needle Position Cam and Disc Follower Return Spring
65	141888-814	x	x	x	x	x	x	x	x	Needle Position Cam and Disc Follower Screw
66	139927-451	x	x	x	x	x	x	x	x	Needle Position Cam and Disc Follower Adjusting Eccentric Screw
67	172870	x	x	x	x	x	x	x	x	Needle Position Cam and Disc Follower Adjusting Eccentric
68	174358	x	x	x	x	x	x	x	x	Needle Position Cam and Disc Follower
69	174306	x	x	x	x	x	x	x	x	Needle Position Cam and Disc Follower Bracket
70	174304		x	x	x		x	x		Needle Bar Driving Arm Plate Kick-out Follower
71	163562	x	x	x	x	x	x	x	x	Needle Position Cam and Disc Follower Retaining Ring
72	163562		x	x	x		x	x		Needle Bar Driving Arm Plate Kick-out Follower Retaining Ring (upper)
73	174349	x	x	x	x	x	x	x	x	Cam Controlled Feed Lever and Needle Position Cam Follower Bracket Mounting Stud
74	172816		x	x	x		x	x		Needle Bar Driving Arm Plate Kick-out Follower Return Spring
75	139883-805		x	x	x		x	x		Needle Bar Driving Arm Plate Kick-out Follower Return Spring Screw
76	172825		x	x	x		x	x		Needle Bar Driving Arm Plate Kick-out Follower Retaining Ring (lower)
77	172855	x	x	x	x	x	x	x	x	Bight Amplitude Selector and Needle Position Cam 172851 with 174428 and 174429
78	172851	x	x	x	x	x	x	x	x	Bight Amplitude Selector
79	172851	x	x	x	x	x	x	x	x	Needle Position Cam (plastic)

# List of Parts - *T*ouch & Sew Machines (CAM STAC) FOLLOWERS

NO.	PART NO.	FLAT BED					CONV. BED			PART DESCRIPTION
		737	750	755	756	758	770	775	778	
80	174429	x	x	x	x	x	x	x	x	Needle Position Cam Retaining Ring
81	381577		x	x	x		x	x		Disc Driving Worm Wheel (plastic)
82	181542		x	x	x		x	x		Disc Stack (lower section, plastic)
83	381578		x	x	x		x	x		Disc Driving Worm Wheel 381577 with 172668, 181541, 181542, 181543 and three 141841-451
84	181541		x	x	x		x	x		Disc Stack (center section, plastic)
85	181543		x	x	x		x	x		Disc Stack (upper section, plastic)
86	172668		x	x	x		x	x		Disc Stack Clamping Plate
87	141841-451		x	x	x		x	x		Disc Stack Clamping Plate Screw (3)
88	172877	x	x	x	x	x	x	x	x	Cam Controlled Feed Lever Retaining Spring
89	181509	x								Disc (fixed, double) for Ric-Rac Stitch
90	139967-451	x								Disc Retaining Screw
91	174348		x	x	x	x	x	x	x	Bight Amplitude Selector and Worm Wheel Shaft Screw Stud
92	172996	x				x			x	Disc Retainer
93	172691		x	x	x		x	x		Disc (double, plastic) No. 51, for Feather Stitch
94	172020		x	x	x	x	x	x	x	Disc Retaining Spring
95	381550	x	x	x	x	x	x	x	x	Bight Amplitude Selector and Worm Wheel Shaft
96	174299	x	x	x	x	x	x	x	x	Bight Amplitude Selector Stop Plate (left)
97	141353-814	x	x	x	x	x	x	x	x	Bight Amplitude Selector Stop Plate Screw (2)
98	172854	x	x	x	x	x	x	x	x	Bight Amplitude Selector Stop Plate (right)
99	141903-814	x	x	x	x	x	x	x	x	Needle Position Control Dial Positioning Spring Screw (2)
100	172590	x	x	x	x	x	x	x	x	Needle Position Control Dial Positioning Spring
101	172830	x	x	x	x	x	x	x	x	Bight Amplitude and Needle Position Control Dials Shaft
102	172591	x	x	x	x	x	x	x	x	Needle Position Control Dial Stop Pin
103	172828	x	x	x	x	x	x	x	x	Bight Amplitude and Needle Position Control Dials Shaft Retaining Clip
104	139906-856	x	x	x	x	x	x	x	x	Needle Position Control Dial Adjusting Stud Screw
105	172847-656		x	x			x	x		Needle Position Control Dial 172844-656 with 139906-856 and 172827
106	172848-656				x	x			x	Needle Position Control Dial 172846-656 with 139906-856 and 172827
107	181521-001	x								Needle Position Control Dial 181514-001 with 139906-856 and 172827
108	172844-856		x	x			x	x		Needle Position Control Dial
109	172846-856				x	x			x	Needle Position Control Dial
110	181514-001	x								Needle Position Control Dial
111	172827	x	x	x	x	x	x	x	x	Needle Position Control Dial Adjusting Stud
112	139906-856	x	x	x	x	x	x	x	x	Bight Amplitude Control Dial Adjusting Stud Screw
113	172842-656		x	x	x	x	x	x	x	Bight Amplitude Control Dial 172841-656 with 139906-856 and 172827
114	181505-001	x								Bight Amplitude Control Dial 181504-001 with 139906-856 and 172827
115	172841-656		x	x	x	x	x	x	x	Bight Amplitude Control Dial
116	181504-001	x								Bight Amplitude Control Dial
117	172827	x	x	x	x	x	x	x	x	Bight Amplitude Control Dial Adjusting Stud
118	141886-451	x	x	x	x	x	x	x	x	Bight Amplitude Selector and Worm Wheel Shaft Set Screw

# List of Parts - Touch & Sew Machines

(BUTTONHOLE MECHANISM AND FEED CONTROL MECHANISM)



**List of Parts - T & Sew Machines**  
**(BUTTONHOLE MECHANISM) FEED CONTROL MECHANISM)**

NO.	PART NO.	FLAT BED					CONV. BED			PART DESCRIPTION
		737	750	755	756	758	770	775	778	
1	174263		x	x	x	x	x	x	x	Buttonholer Needle Position Controller 174262 with 141888-814
2	174262		x	x	x	x	x	x	x	Buttonholer Needle Position Controller
3	141888-814		x	x	x	x	x	x	x	Buttonholer Needle Position Controller Shaft Clamping Screw
4	381667-451		x	x		x	x	x	x	Cam Controlled Feed Lever Disengaging Lever with Feed Balancing Dial Mounting Bracket
4A	172990				x					Buttonholer Needle Position Controller Shaft Bracket
5	141856-814		x	x		x	x	x	x	Feed Balancing Dial Mounting Bracket Screw (2)
5A	141856-814				x					Buttonholer Needle Position Controller Shaft Bracket Screw (2)
6	174478		x	x		x	x	x	x	Feed Balancing Dial Retaining Ring
7	174471-656		x	x		x	x	x	x	Feed Balancing Dial (plastic)
8	151576		x	x		x	x	x	x	Feed Balancing Dial Connecting Link Lever (upper) Hinge Stud Retaining Ring
9	174472		x	x		x	x	x	x	Feed Balancing Dial Connecting Link
10	174329		x	x		x	x	x	x	Feed Balancing Dial Connecting Link Lever (upper)
11	151576		x	x	x	x	x	x	x	Buttonholer Needle Position Controller Shaft Retaining Ring
12	174267		x	x	x	x	x	x	x	Buttonholer Needle Position Controller Shaft
13	53652-814		x	x		x	x	x	x	Feed Balancing Dial Connecting Link Lever (upper) Nut
14	151576		x	x		x	x	x	x	Feed Balancing Dial Connecting Link Lever (lower) Hinge Stud Retaining Ring
15	382964		x	x		x	x	x	x	Feed Balancing Dial Connecting Link Lever (lower) Pin
15A	382964	x			x					Feed Driving Arm Connection Shaft Collar Pin
16	172681		x	x		x	x	x	x	Feed Balancing Dial Connecting Link Lever (lower)
16A	172714	x			x					Feed Driving Arm Connection Shaft Collar
17	174436		x	x	x	x	x	x	x	Buttonholer Needle Position and Feed Control Lever Complete
18	172862-451		x	x		x	x	x	x	Buttonholer Dial and Feed Control Dial Mounting Bracket Complete
18A	172863-451				x					Buttonholer Dial and Feed Control Dial Mounting Bracket Complete
18B	181520-451	x								Feed Control Dial and Reverse Feed Dial Mounting Bracket Complete
19	141980-803		x	x	x	x	x	x	x	Buttonholer Needle Position and Feed Control Lever Hinge Screw
20	172943		x	x	x	x	x	x	x	Buttonholer Zero Stitch Adjusting Lever Return Spring
21	354116-452		x	x	x	x	x	x	x	Buttonholer Needle Position and Feed Control Lever Hub Set Screw
22	174271		x	x	x	x	x	x	x	Buttonholer Ratchet Cam Roller
23	174437		x	x	x	x	x	x	x	Buttonholer Needle Position and Feed Control Lever Tension Spring
24	174272		x	x	x	x	x	x	x	Buttonholer Zero Stitch Adjusting Lever Eccentric Stud
25	174290		x	x	x	x	x	x	x	Buttonholer Zero Stitch Adjusting Lever
26	141864-814		x	x	x	x	x	x	x	Buttonholer Dial Friction Spring Screw
27	174260		x	x	x	x	x	x	x	Buttonholer Dial Friction Spring
28	53654-814		x	x	x	x	x	x	x	Buttonholer Needle Position and Feed Control Lever Hinge Screw Nut
29	141699-803		x	x	x	x	x	x	x	Buttonholer Dial Shield Position Screw
30	174369	x	x	x	x	x	x	x	x	Arm Shaft and Rotating Hook Belt Pulley Idler Stud
31	174383	x	x	x	x	x	x	x	x	Arm Shaft and Rotating Hook Belt Pulley Idler Stud Roller (plastic)
32	141697-814		x	x	x	x	x	x	x	Buttonholer Ratchet Cam Positioning Spring Screw
33	174293		x	x	x	x	x	x	x	Buttonholer Ratchet Cam Positioning Spring
34	53642-814	x	x	x	x	x	x	x	x	Arm Shaft and Rotating Hook Belt Pulley Idler Stud Nut

**List of Parts - Touch & Sew Machines**  
**(BUTTONHOLE MECHANISM AND FEED CONTROL MECHANISM)**

NO.	PART NO.	FLAT BED					CONV. BED			PART DESCRIPTION
		737	750	755	756	758	770	775	778	
35	174261		x	x	x	x	x	x	x	Buttonholer Dial Washer
36	174308		x	x	x	x	x	x	x	Buttonholer Ratchet Cam Pawl Driving Lever with 174270
37	174270		x	x	x	x	x	x	x	Buttonholer Ratchet Cam Pawl Tension Spring
38	174434-856		x	x	x	x	x	x	x	Buttonholer Dial Shield (plastic)
39	174430-656		x	x	x	x	x	x	x	Buttonholer Dial (plastic)
40	32376		x	x	x	x	x	x	x	Buttonholer Dial Retaining Ring
41	174495	x	x	x	x	x	x	x	x	Feed Driving Arm Connection Shaft with Spring
42	174432-001		x	x	x	x	x	x	x	Buttonholer Dial and Feed Control Dial Mounting Bracket
42A	181519-001	x								Feed Control Dial and Reverse Feed Dial Mounting Bracket
43	141849-803		x	x	x	x	x	x	x	Buttonholer Dial and Feed Control Dial Shaft Screw (2)
43A	141849-803	x								Feed Control Dial and Reverse Feed Dial Shaft Screw (2)
44	174321		x	x	x	x	x	x	x	Buttonholer Dial and Feed Control Dial Shaft
45	141856-814		x	x	x	x	x	x	x	Buttonholer Dial and Feed Control Dial Mounting Bracket Screw (4)
45A	141856-814	x								Feed Control Dial and Reverse Feed Dial Mounting Bracket Screw (4)
46	174478		x	x	x	x	x	x	x	Reverse Feed Lever Retaining Ring (left)
47	172599-001		x	x	x	x	x	x	x	Reverse Feed Lever
48	163562	x	x	x	x	x	x	x	x	Reverse Feed Lever Retaining Ring (right)
49	172684	x	x	x	x	x	x	x	x	Feed Driving Arm Connection Shaft Spacer
50	172860	x	x	x	x	x	x	x	x	Feed Control Dial Lever
51	172636		x	x		x	x	x	x	Feed Driving Arm Connection Shaft Retaining Ring
51A	151527	x			x					Feed Driving Arm Connection Shaft Retaining Ring
52	174374	x	x	x	x	x	x	x	x	Feed Driving Arm (upper)
53	174334	x	x	x	x	x	x	x	x	Feed Driving Arm (lower)
54	172942	x	x	x	x	x	x	x	x	Feed Driving Arm (lower) Retaining Ring
55	174331	x	x	x	x	x	x	x	x	Feed Control Dial Friction Spring
56	141858-814	x	x	x	x	x	x	x	x	Feed Control Dial Friction Spring Screw
57	172771		x	x	x	x	x	x	x	Buttonholer Engaging Lever Tension Spring
58	141958-803		x	x	x	x	x	x	x	Buttonholer Engaging Lever Hinge Screw

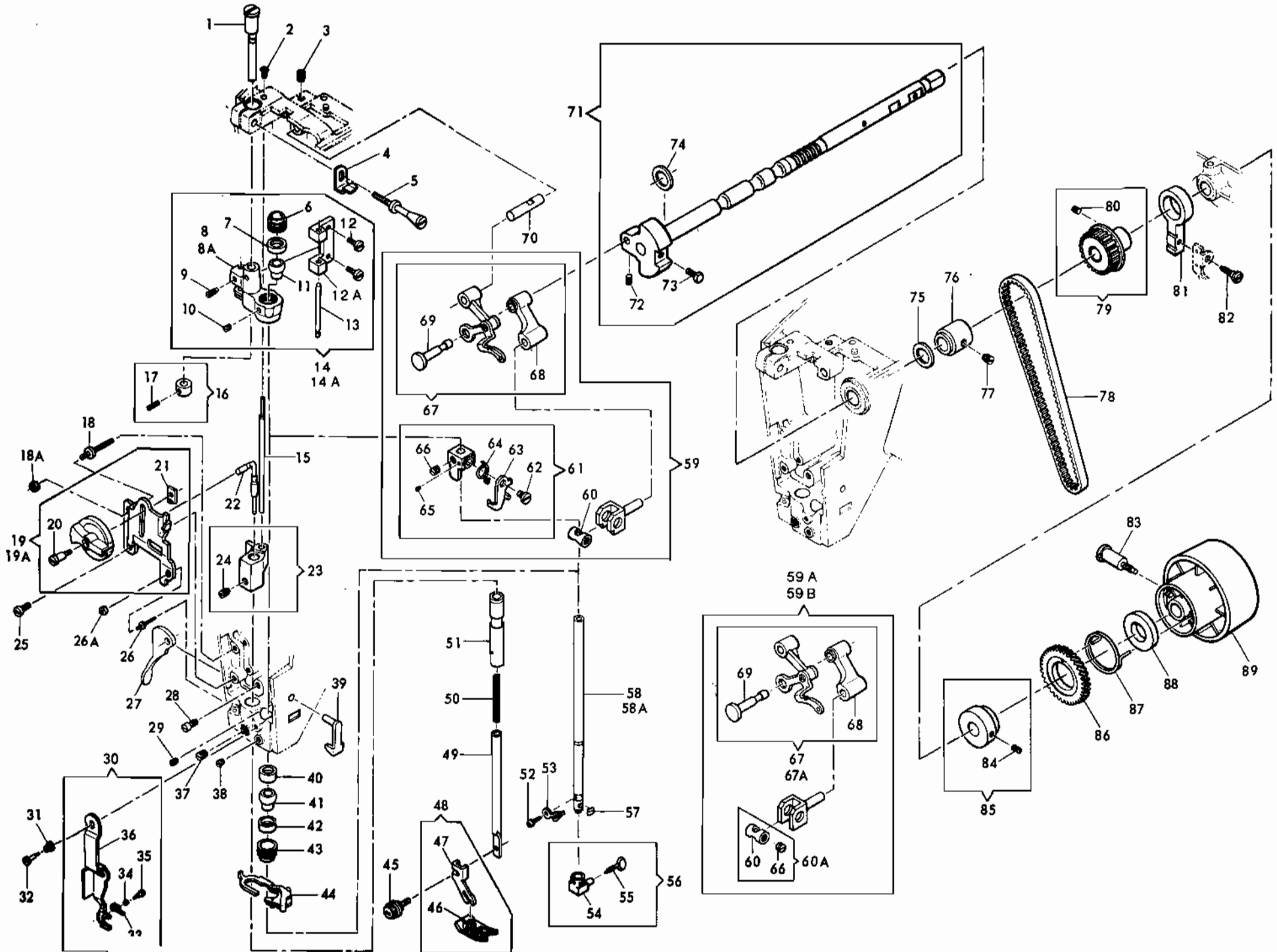


**List of Parts - Touch & Sew Machines**  
**(BUTTONHOLE MECHANISM . . . . . FEED CONTROL MECHANISM)**

NO.	PART NO.	FLAT BED					CONV. BED			PART DESCRIPTION
		737	750	755	756	758	770	775	778	
59	172768		x	x	x	x	x	x	x	Buttonholer Engaging Lever
60	139959-452	x	x	x	x	x	x	x	x	Feed Cam Follower (manual) Hinge Screw Stud
61	174478	x	x	x	x	x	x	x	x	Feed Control Dial Retaining Ring (right)
62	174486-656	x	x	x	x	x	x	x	x	Feed Control Dial Shield (plastic)
63	174484-656		x	x	x	x	x	x	x	Feed Control Dial
64	163562	x	x	x	x	x	x	x	x	Feed Control Dial Retaining Ring (left)
65	174493	x	x	x	x	x	x	x	x	Feed Driving Arm Connection
66	172942	x	x	x	x	x	x	x	x	Feed Cam Follower (manual) Lever Hinge Stud Retaining Ring
67	172980	x	x	x	x	x	x	x	x	Feed Cam Follower (manual) Lever
68	172771	x	x	x	x	x	x	x	x	Feed Cam Follower (manual) Lever Spring
69	172807	x	x	x	x	x	x	x	x	Feed Regulator Shaft Positioning Bracket Controlling Lever Spring and Wire Retaining Bracket Hook
70	141353-814	x	x	x	x	x	x	x	x	Feed Regulator Shaft Positioning Bracket Controlling Lever Spring and Wire Retaining Bracket Hook Screw
71	174376	x	x	x	x	x	x	x	x	Feed Driving Arm Connection Guide
72	141860-814	x	x	x	x	x	x	x	x	Feed Driving Arm Connection Guide Screw
73	174380	x	x	x	x	x	x	x	x	Feed Regulator Shaft Positioning Bracket Controlling Lever Spring
74	381670		x	x	x	x	x	x	x	Feed Regulator Shaft Positioning Bracket with two 141772-869
74A	381671	x								Feed Regulator Shaft Positioning Bracket with two 141772-869
75	141772-869	x	x	x	x	x	x	x	x	Feed Regulator Shaft Positioning Bracket Set Screw (2)
76	172572	x	x	x	x	x	x	x	x	Feed Regulator Shaft Positioning Bracket Spring
77	181510-451	x								Feed Control Dial
78	163562	x								Feed Control Dial Retaining Ring (left)
79	163562	x								Reverse Feed Dial Retaining Ring (right)
80	181528	x								Reverse Feed Dial Spacer (right)
81	181527	x								Reverse Feed Dial Spacer (left)
82	174321	x								Feed Control Dial and Reverse Feed Dial Shaft
83	172640-656	x								Reverse Feed Dial
84	174478	x								Reverse Feed Dial Retaining Ring (left)

# List of Parts - Touch & Sew Machines

## (ARM SHAFT AND HEAD END)



# List of Parts - To Sew Machines

(ARM SHAFT HEAD END)

NO.	PART NO.	FLAT BED					CONV. BED			PART DESCRIPTION
		737	750	755	756	758	770	775	778	
1	172585	x	x	x	x	x	x	x	x	Needle Bar Vibrating Bracket Hinge Pin (eccentric)
2	172793	x	x	x	x	x	x	x	x	Tension Releasing Pin Retaining Clip
3	141907-830	x	x	x	x	x	x	x	x	Thread Take-up Lever Link Hinge Stud Set Screw
4	172782		x	x	x		x	x		Needle Bar Recoil Spring
5	182086	x	x	x	x	x	x	x	x	Needle Bar Vibrating Bracket Hinge Pin (eccentric) Clamping Screw
6	172220	x	x	x	x	x	x	x	x	Needle Bar Ball Bushing (upper) Adjusting Screw
7	172036	x	x	x	x	x	x	x	x	Needle Bar Ball Bushing (upper) Socket
8	172619		x	x	x		x	x		Needle Bar Vibrating Bracket
8A	163833	x				x			x	Needle Bar Vibrating Bracket
9	998-830	x	x	x	x	x	x	x	x	Needle Bar Driving Arm Hinge Bracket Hinge Pin Set Screw
10	50311-830	x	x	x	x	x	x	x	x	Needle Bar Ball Bushing (upper) Adjusting Screw Set Screw
11	163804	x	x	x	x	x	x	x	x	Needle Bar Ball Bushing (upper)
12	139887-803	x	x	x	x	x	x	x	x	Needle Bar Driving Arm Hinge Bracket Screw (2)
12A	172577	x	x	x	x	x	x	x	x	Needle Bar Driving Arm Hinge Bracket
13	172676	x	x	x	x	x	x	x	x	Needle Bar Driving Arm Hinge Bracket Hinge Pin
14	172777		x	x	x		x	x		Needle Bar Vibrating Bracket Assembly
14A	172584	x				x			x	Needle Bar Vibrating Bracket Assembly
15	174409	x	x	x	x	x	x	x	x	Tension Releasing Pin
16	172586	x	x	x	x	x	x	x	x	Needle Bar Vibrating Bracket Hinge Pin Collar with 141902-869
17	141902-869	x	x	x	x	x	x	x	x	Needle Bar Vibrating Bracket Hinge Pin Collar Set Screw
18	141853-830		x	x	x		x	x		Presser Bar Pressure Regulating Knob Bracket Adjusting Screw (upper)
18A	53643-810		x	x	x		x	x		Presser Bar Pressure Regulating Knob Bracket Adjusting Screw Nut (upper)
19	181547-451		x	x	x		x	x		Presser Bar Pressure Regulating Knob with 53650-451 and 141944-809
19A	172683-656	x				x			x	Presser Bar Pressure Regulating Knob with 53650-451 and 141944-809
20	141944-809	x	x	x	x	x	x	x	x	Presser Bar Pressure Regulating Knob Adjusting Screw
21	53650-451	x	x	x	x	x	x	x	x	Presser Bar Pressure Regulating Knob Adjusting Screw Nut
22	172878	x	x	x	x	x	x	x	x	Presser Bar Pressure Regulating Extension Pin
23	172594	x	x	x	x	x	x	x	x	Presser Bar Guide Bracket with 141800-869
24	141800-869	x	x	x	x	x	x	x	x	Presser Bar Guide Bracket Set Screw
25	141854-809	x	x	x	x	x	x	x	x	Presser Bar Pressure Regulating Knob Bracket Screw
26	141744-451		x	x	x		x	x		Presser Bar Pressure Regulating Knob Bracket Adjusting Screw (lower)
26A	53637-803		x	x	x		x	x		Presser Bar Pressure Regulating Knob Bracket Adjusting Screw Nut (lower)
27	172989	x	x	x	x	x	x	x	x	Presser Bar Lifter
28	139963-451	x	x	x	x	x	x	x	x	Presser Bar Lifter Hinge Screw
29	139880-830	x	x	x	x	x	x	x	x	Thread Guide (upper) Set Screw
30	163705		x		x					Needle Threader Bracket 163704 with 141367-809 and 155839
31	163428		x		x					Needle Threader Bracket Tension Spring
32	141910-810		x		x					Needle Threader Bracket Tension Spring Hinge Screw
33	161960		x		x					Envelope with two Needle Threader Hooks and Instruction Sheet

## List of Parts - Touch & Sew Machines

(ARM SHAFT AND HEAD END)

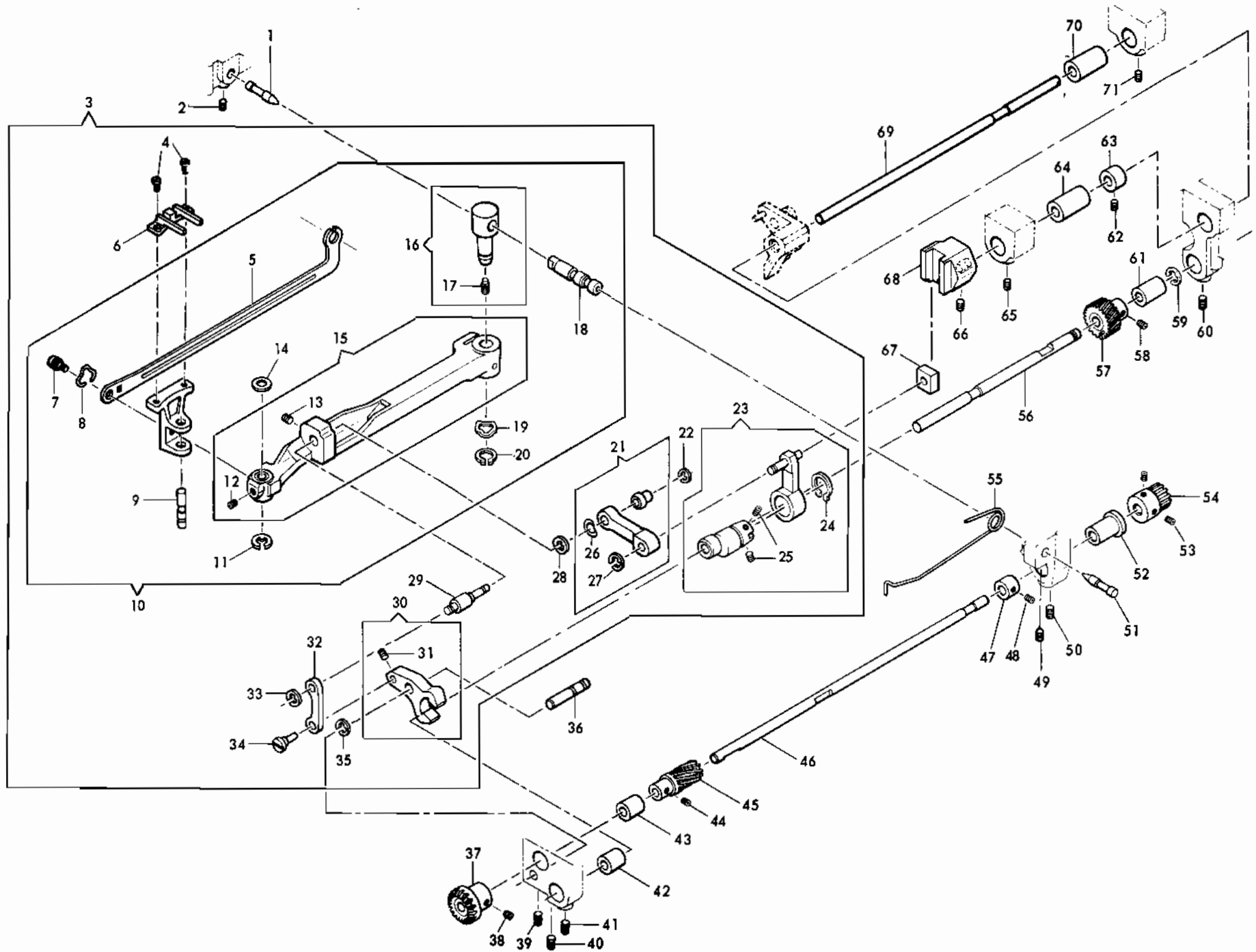
NO.	PART NO.	FLAT BED					CONV. BED			PART DESCRIPTION
		737	750	755	756	758	770	775	778	
34	155839		x		x					Needle Threader Hook Screw Washer
35	141367-809		x		x					Needle Threader Hook Screw
36	163704		x		x					Needle Threader Bracket
37	141904-830	x	x	x	x	x	x	x	x	Presser Bar Bushing Set Screw
38	141897-451	x	x	x	x	x	x	x	x	Needle Bar Ball Bushing (lower) Adjusting Screw Set Screw (in machine head)
39	172839-002	x	x	x	x	x	x	x	x	Thread Guide (upper)
40	507804	x	x	x	x	x	x	x	x	Needle Bar Ball Bushing (lower) Socket (upper) (in machine head)
41	163804	x	x	x	x	x	x	x	x	Needle Bar Ball Bushing (lower) (in machine head)
42	172036	x	x	x	x	x	x	x	x	Needle Bar Ball Bushing (lower) Socket (lower) (in machine head)
43	172220	x	x	x	x	x	x	x	x	Needle Bar Ball Bushing (lower) Adjusting Screw (in machine head)
44	163117-002	x	x	x	x	x	x	x	x	Thread Guide (lower)
45	354135-452	x	x	x	x	x	x	x	x	Presser Foot Thumb Screw
46	163710	x	x	x	x	x	x	x	x	Presser Foot Plate (snap-on) for Zig-Zag Sewing
47	163706	x	x	x	x	x	x	x	x	Presser Foot Shank (snap-on)
48	163839	x	x	x	x	x	x	x	x	Presser Foot (snap-on) Complete for Zig-Zag Stitching
49	172068	x	x	x	x	x	x	x	x	Presser Bar (hollow)
50	172879	x	x	x	x	x	x	x	x	Presser Bar Spring
51	172069-001	x	x	x	x	x	x	x	x	Presser Bar Bushing
52	141453-880	x	x	x	x	x	x	x	x	Needle Clamp Body, Needle Clamp Thread Guide and Needle Stop Screw
53	163431	x	x	x	x	x	x	x	x	Needle Clamp Thread Guide
54	163122	x	x	x	x	x	x	x	x	Needle Clamp Body
55	140751-853	x	x	x	x	x	x	x	x	Needle Thumb Screw
56	163123	x	x	x	x	x	x	x	x	Needle Clamp 163122 with 140751-853
57	163822	x	x	x	x	x	x	x	x	Needle Bar Gib
58	163803		x	x	x		x	x		Needle Bar (hollow)
58A	172033	x				x			x	Needle Bar (hollow)
59	172832		x	x	x		x	x		Thread Take-up Lever (slotted) Assembly
59A	172834					x			x	Thread Take-up Lever (slotted) Assembly
59B	181523	x								Thread Take-up Lever (not slotted) Assembly
60	172043	x	x	x	x	x	x	x	x	Needle Bar Connecting Stud Hinge Pin
60A	172044	x				x			x	Needle Bar Connecting Stud Hinge Pin 172043 with 1266-830
61	381831		x	x	x		x	x		Needle Bar Latch Carrier Complete with 1266-451, 354174-451, 381815 and 381816

# List of Parts - 7 & Sew Machines

(ARM SHAFT HEAD END)

NO.	PART NO.	FLAT BED					CONV. BED			PART DESCRIPTION
		737	750	755	756	758	770	775	778	
62	381818		x	x	x		x	x		Needle Bar Latch Adjusting Stud (eccentric)
63	381815		x	x	x		x	x		Needle Bar Latch
64	163815		x	x	x		x	x		Needle Bar Latch Spring
65	354174-451		x	x	x		x	x		Needle Bar Latch Adjusting Stud (eccentric) Set Screw
66	1268-451	x	x	x	x	x	x	x	x	Needle Bar Clamping Screw
67	172833		x	x	x	x	x	x	x	Thread Take-up Lever (slotted) with 172941 and 507650
67A	172946	x								Thread Take-up Lever (not slotted) with 172941 and 507650
68	507650	x	x	x	x	x	x	x	x	Needle Bar Connecting Link
69	172941	x	x	x	x	x	x	x	x	Thread Take-up Stud
70	172608	x	x	x	x	x	x	x	x	Thread Take-up Lever Link Hinge Stud
71	383022	x	x	x	x	x	x	x	x	Arm Shaft (horizontal) with 139999-451, 354565-451 and 383020
72	354565-451	x	x	x	x	x	x	x	x	Thread Take-up Stud Set Screw
73	139999-451	x	x	x	x	x	x	x	x	Needle Bar Crank Position Screw
74	383020	x	x	x	x	x	x	x	x	Needle Bar Crank Washer (plastic)
75	383020	x	x	x	x	x	x	x	x	Arm Shaft (horizontal) Retaining Collar Thrust Washer (plastic)
76	382901	x	x	x	x	x	x	x	x	Arm Shaft (horizontal) Retaining Collar with 354565-451
77	354565-451	x	x	x	x	x	x	x	x	Arm Shaft (horizontal) Retaining Collar Set Screw
78	174283	x	x	x	x	x	x	x	x	Belt
79	174285	x	x	x	x	x	x	x	x	Arm Shaft (horizontal) Belt Pulley and Buttonholer Driving Eccentric with 141834-869
80	141834-869	x	x	x	x	x	x	x	x	Arm Shaft (horizontal) Belt Pulley and Buttonholer Driving Eccentric Set Screw
81	174381		x	x	x	x	x	x	x	Buttonholer Driving Link Extension
82	139949-453		x	x	x	x	x	x	x	Buttonholer Driving Link Screw
83	174295	x	x	x	x	x	x	x	x	Hand Wheel Driving Stud Screw and Counterbalance
84	140455-869	x	x	x	x	x	x	x	x	Hand Wheel Gear Bearing and Retainer Set Screw
85	163291	x	x	x	x	x	x	x	x	Hand Wheel Gear Bearing and Retainer with 140455-869
86	172312	x	x	x	x	x	x	x	x	Hand Wheel Gear
87	172299-003	x	x	x	x	x	x	x	x	Hand Wheel Gear Spring
88	163292	x	x	x	x	x	x	x	x	Hand Wheel Gear Spring Collar (plastic)
89	172874-656		x				x			Hand Wheel (plastic) (gold)
	172881-656	x		x	x	x		x	x	Hand Wheel (plastic) (silver)

# List of Parts - Touch & Sew Machines (ALPHA FEED)



## List of Parts - Touch & Sew Machines (ALPHA FEED)

NO.	PART NO.	FLAT BED					CONV. BED			PART DESCRIPTION
		737	750	755	756	758	770	775	778	
1	172801	x	x	x	x	x	x	x	x	Feed Bar Pivot Hinge Stud Adjusting Pin (eccentric) Screw Center (back)
2	141814-451	x	x	x	x	x	x	x	x	Feed Bar Pivot Hinge Stud Adjusting Pin (eccentric) Screw Center (back) Set Screw
3	174479	x	x	x	x	x	x	x	x	Feed Bar with 141802-869, 141812-451, 151576, 172947, 174220, 174247, 174277, 181843, 511016 two 141896-451 and three 163562
4	141896-451	x	x	x	x	x	x	x	x	Feed Dog Screw (2)
5	174216	x	x	x	x	x	x	x	x	Feed Dog Holder Compensating Link
6	181843	x	x	x	x	x	x	x	x	Feed Dog
7	141827-803	x	x	x	x	x	x	x	x	Feed Dog Holder Compensating Link Screw Stud
8	511075	x	x	x	x	x	x	x	x	Feed Dog Holder Compensating Link Retaining Spring
9	174217	x	x	x	x	x	x	x	x	Feed Dog Holder Stud
10	382832	x	x	x	x	x	x	x	x	Feed Bar Assembly (machined)
11	163562	x	x	x	x	x	x	x	x	Feed Dog Holder Stud Retaining Ring
12	139878-869	x	x	x	x	x	x	x	x	Feed Dog Holder Stud Screw
13	141812-451	x	x	x	x	x	x	x	x	Feed Bar Connection and Feed Lifting Fork Connection Hinge Stud (eccentric) Set Screw
14	174251	x	x	x	x	x	x	x	x	Feed Dog Holder Washer
15	174243	x	x	x	x	x	x	x	x	Feed Bar with 139878-869 and 141812-451
16	174214	x	x	x	x	x	x	x	x	Feed Bar Pivot Hinge Stud with 141801-451
17	141801-451	x	x	x	x	x	x	x	x	Feed Bar Pivot Hinge Stud Lock Screw
18	174249	x	x	x	x	x	x	x	x	Feed Bar Pivot Hinge Stud Adjusting Pin (eccentric)
19	511211	x	x	x	x	x	x	x	x	Feed Bar Pivot Hinge Stud Spring Washer
20	172876	x	x	x	x	x	x	x	x	Feed Bar Pivot Hinge Stud Retaining Ring
21	381806	x	x	x	x	x	x	x	x	Feed Bar Connection with 151576 and 172947
22	163562	x	x	x	x	x	x	x	x	Feed Bar Connection and Feed Lifting Fork Connection Hinge Stud (eccentric) Retaining Ring
23	172880	x	x	x	x	x	x	x	x	Feed Regulator Slide Block Drive Connection with 174277 and two 141802-869
24	174277	x	x	x	x	x	x	x	x	Feed Regulator Slide Block Drive Connection Retaining Ring
25	141802-869	x	x	x	x	x	x	x	x	Feed Lifting Cam and Feed (eccentric) Set Screw (2)
26	172947	x	x	x	x	x	x	x	x	Feed Bar Connection and Feed Lifting Fork Connection Hinge Stud (eccentric) Spring Washer
27	151576	x	x	x	x	x	x	x	x	Feed Bar Connection Retaining Ring
28	163562	x	x	x	x	x	x	x	x	Feed Bar Connection Retaining Ring
29	174247	x	x	x	x	x	x	x	x	Feed Bar Connection and Feed Lifting Fork Connection Hinge Stud (eccentric)
30	174276	x	x	x	x	x	x	x	x	Feed Lifting Fork with 141802-869
31	141802-869	x	x	x	x	x	x	x	x	Feed Lifting Fork Connection Hinge Stud (eccentric) Set Screw
32	511016	x	x	x	x	x	x	x	x	Feed Lifting Fork Connection
33	163562	x	x	x	x	x	x	x	x	Feed Lifting Fork Connection Retaining Ring
34	174220	x	x	x	x	x	x	x	x	Feed Lifting Fork Connection Hinge Stud (eccentric)
35	163562	x	x	x	x	x	x	x	x	Feed Lifting Fork Hinge Stud Retaining Ring (left and right) (2)

## List of Parts - Touch & Sew Machines (ALPHA FEED)

NO.	PART NO.	FLAT BED					CONV. BED			PART DESCRIPTION
		737	750	755	756	758	770	775	778	
36	511057	x	x	x	x	x	x	x	x	Feed Lifting Fork Hinge Stud
37	163331	x	x	x	x	x	x	x	x	Rotating Hook Drive Shaft Bevel Gear (plastic) with 141338-869
38	141338-869	x	x	x	x	x	x	x	x	Rotating Hook Drive Shaft Bevel Gear (plastic) Set Screw
39	141814-451	x	x	x	x	x	x	x	x	Feed Lifting Fork Hinge Stud Set Screw
40	139878-869	x	x	x	x	x	x	x	x	Rotating Hook Drive Shaft Bushing (left) Set Screw
41	141814-451	x	x	x	x	x	x	x	x	Feed Drive Shaft Bushing (left) Set Screw
42	174219	x	x	x	x	x	x	x	x	Feed Drive Shaft Bushing (left)
43	174232	x	x	x	x	x	x	x	x	Rotating Hook Drive Shaft Bushing (left)
44	141772-869	x	x	x	x	x	x	x	x	Feed Drive Shaft Driving Gear (helical, plastic) Set Screw
45	174488	x	x	x	x	x	x	x	x	Feed Drive Shaft Driving Gear (helical, plastic) with 141772-869
46	174231	x	x	x	x	x	x	x	x	Rotating Hook Drive Shaft
47	174235	x	x	x	x	x	x	x	x	Rotating Hook Drive Shaft Collar with 141802-869
48	141802-869	x	x	x	x	x	x	x	x	Rotating Hook Drive Shaft Collar Set Screw
49	354598-451	x	x	x	x	x	x	x	x	Feed Bar Pivot Hinge Stud Adjusting Pin (eccentric) Screw Center (front) Set Screw
50	141891-830	x	x	x	x	x	x	x	x	Rotating Hook Drive Shaft Bushing (right) Set Screw
51	382998	x	x	x	x	x	x	x	x	Feed Bar Pivot Hinge Stud Adjusting Pin (eccentric) Screw Center (front)
52	174233	x	x	x	x	x	x	x	x	Rotating Hook Drive Shaft Bushing (right)
53	141338-869	x	x	x	x	x	x	x	x	Rotating Hook Drive Shaft Belt Pulley Set Screw (2)



## List of Parts - Touch & Sew Machines (ALPHA FEED)

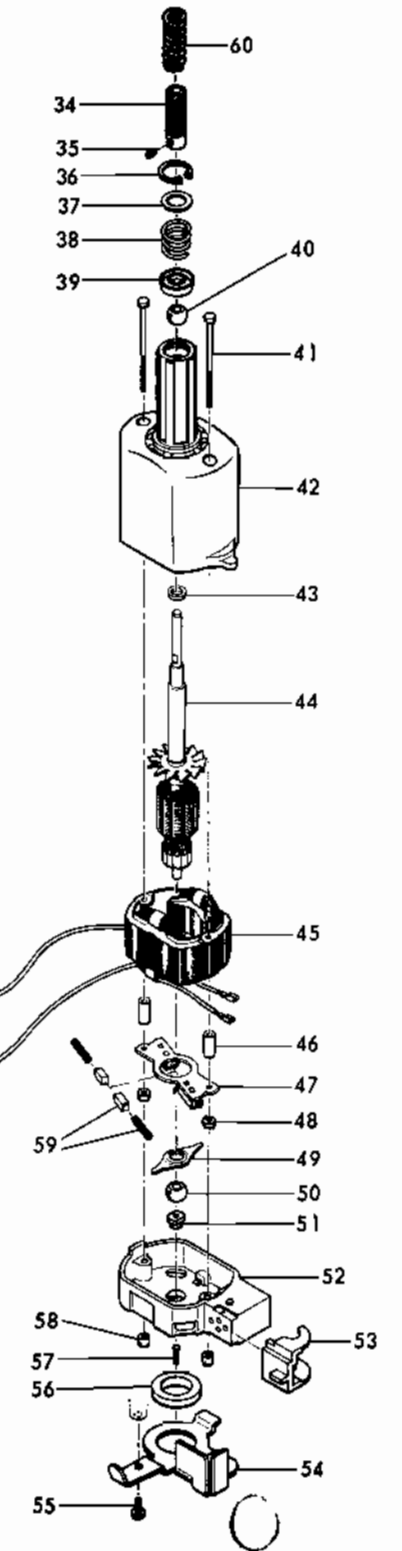
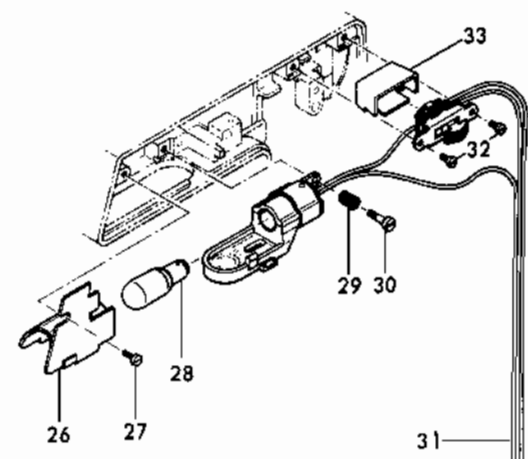
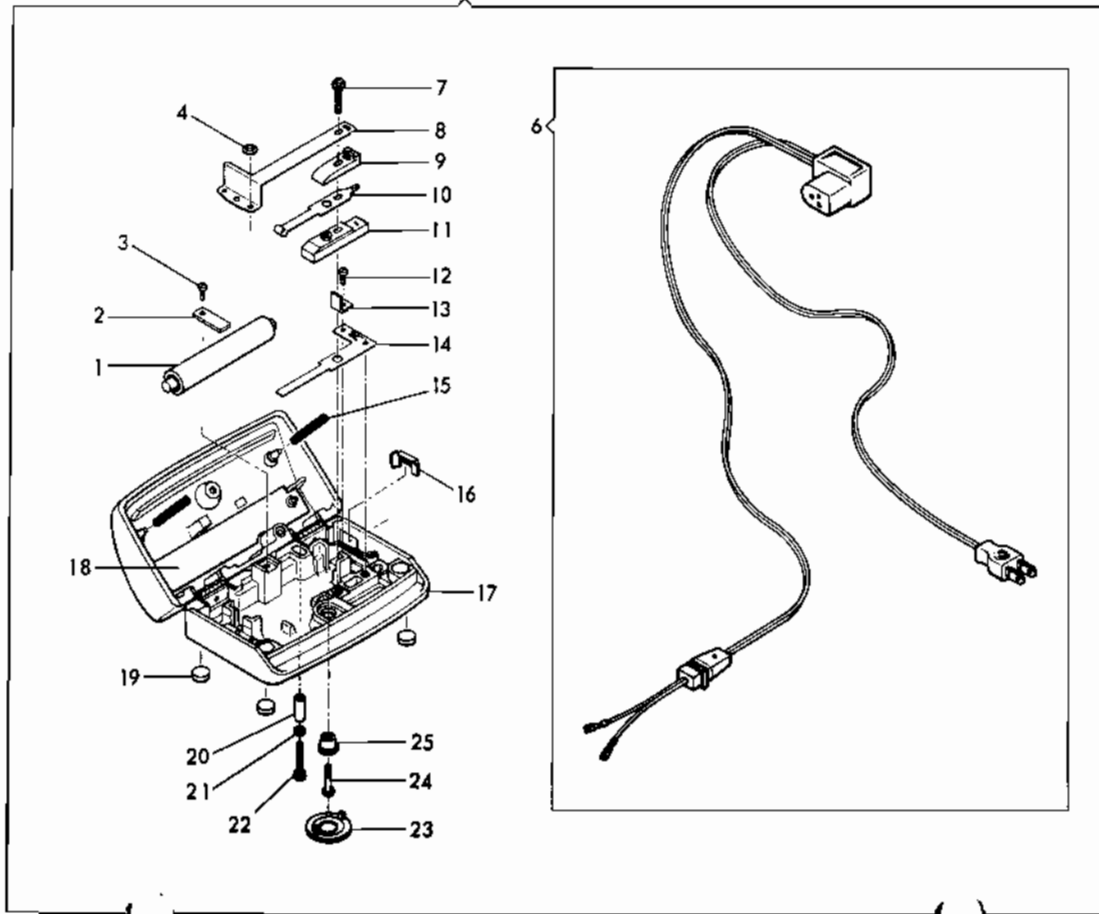
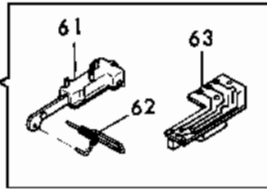
NO.	PART NO.	FLAT BED					CONV. BED			PART DESCRIPTION
		737	750	755	756	758	770	775	778	
54	174282-001	x	x	x	x	x	x	x	x	Rotating Hook Drive Shaft Belt Pulley with two 141338-869
55	511352	x	x	x	x	x	x	x	x	Feed Bar Spring
56	174218	x	x	x	x	x	x	x	x	Feed Drive Shaft
57	174491	x	x	x	x	x	x	x	x	Feed Drive Shaft Gear (helical, plastic) with 141338-869
58	141338-869	x	x	x	x	x	x	x	x	Feed Drive Shaft Gear (helical, plastic) Set Screw
59	163562	x	x	x	x	x	x	x	x	Feed Drive Shaft Retaining Ring
60	141815-830	x	x	x	x	x	x	x	x	Feed Drive Shaft Bushing (right) Set Screw
61	174241	x	x	x	x	x	x	x	x	Feed Drive Shaft Bushing (right)
62	141772-869	x	x	x	x	x	x	x	x	Feed Regulator Shaft Collar Set Screw
63	174225	x	x	x	x	x	x	x	x	Feed Regulator Shaft Collar with 141772-869
64	174223	x	x	x	x	x	x	x	x	Feed Regulator Shaft Bushing (left)
65	141814-451	x	x	x	x	x	x	x	x	Feed Regulator Shaft Bushing (left) Set Screw
66	141818-869	x	x	x	x	x	x	x	x	Feed Regulator Set Screw
67	511030	x	x	x	x	x	x	x	x	Feed Regulator Slide Block
68	174499	x	x	x	x	x	x	x	x	Feed Regulator with 141818-869
69	174222	x	x	x	x	x	x	x	x	Feed Regulator Shaft
70	174223	x	x	x	x	x	x	x	x	Feed Regulator Shaft Bushing (right)
71	141814-451	x	x	x	x	x	x	x	x	Feed Regulator Shaft Bushing (right) Set Screw

# List of Parts - Touch & Sew Machines

## (ELECTRICAL PARTS)

A	Electrical Equipment 619347-001	FLAT BED					CONV. BED		
		737	750	755	756	758	770	775	776
B	Electrical Equipment 603812-001								
A	619313-001 PA 28-8 Less Pinion			x	x	x		x	x
A	619313-002 PA 28-8 With Pinion			x	x	x		x	x
B	603807-001 PA 31-8 Less Pinion		x				x		
B	603807-002 PA 31-8 With Pinion		x				x		

Used with 604178-001



# List of Parts - Touch & Sew Machines

(ELECTRICAL PARTS)

NO.	PART NO.	FLAT BED					CONV. BED			PART DESCRIPTION
		737	750	755	756	758	770	775	778	
1	618804-003	x		x	x	x		x	x	Resistance Unit Complete
2	618612-001	x		x	x	x		x	x	Resistance Unit Clamp
3	618634-002	x		x	x	x		x	x	Resistance Unit Clamp Screw
4	618718-001	x		x	x	x		x	x	Push-on Fastener
	618538-001		x				x			Push-on-Nut
5	604178-001		x				x			Controller Complete
	619494-001	x		x	x	x		x	x	Controller with Cords Complete
6	619360-001		x				x			Cord Complete
	618388-001	x		x	x	x		x	x	Cords Complete
7	618824-001	x		x	x	x		x	x	Fastening Screw and Washer
8	618609-001	x		x	x	x		x	x	Actuating Spring
9	618608-001			x	x	x		x	x	Contact Spacer (top)
10	618823-001			x	x	x		x	x	Contact Spring
11	618822-001			x	x	x		x	x	Contact Spacer (bottom)
12	618634-002			x	x	x		x	x	Shorting Strap Screw
13	618815-001			x	x	x		x	x	Shorting Strap
14	618821-001			x	x	x		x	x	Shorting Spring
15	618542-001		x	x	x	x	x	x	x	Pedal Return Spring (2)
16	618813-001		x	x	x	x	x	x	x	Strain Relief Clip
17	619489-008		x				x			Base and Pedal Assembly for 604178-001
	619493-001			x	x	x		x	x	Base and Pedal Assembly for 619494-001
18	603832-001			x	x	x		x	x	Heat Shield
19	619491-001		x	x	x	x	x	x	x	Pedal Base Foot (4)
20	197790-010			x	x	x		x	x	Security Screw Spacer
21	701511-018			x	x	x		x	x	Security Screw Washer
22	618634-003			x	x	x		x	x	Security Screw for 619494-001
23	619492-001		x	x	x	x	x	x	x	Pedal Base Snap-on Plug
24	603758-001			x	x	x		x	x	Shoulder Screw
	619192-001		x				x			Shoulder Screw
25	619179-001			x	x	x		x	x	Pedal Retaining Cup
26	619442-001		x	x	x	x	x	x	x	Light Shield
27	354434-451		x	x	x	x	x	x	x	Light Shield Screw
28	777910-001		x	x	x	x	x	x	x	Light Lamp
29	619387-001		x	x	x	x	x	x	x	Light Bracket Spring
30	619407-003		x	x	x	x	x	x	x	Light Bracket Spring Screw
31	603809-002		x				x			Light with Switch, and Harness (less Lamp)
	619386-002			x	x	x		x	x	Light with Switch and Harness (less Lamp)

# List of Parts - Touch & Sew Machines

(ELECTRICAL PARTS)

NO.	PART NO.	FLAT BED					CONV. BED			PART DESCRIPTION
		737	750	755	756	758	770	775	778	
32	354434-451		x	x	x	x	x	x	x	Light Switch Screw (2)
33	619338-001		x	x	x	x	x	x	x	Light and Power Switch Enclosure
34	197782-001		x	x	x	x	x	x	x	Armature Shaft Pinion with Screw
35	141772		x	x	x	x	x	x	x	Armature Shaft Pinion Set Screw
36	619112-001		x	x	x	x	x	x	x	Armature Shaft Bearing Retainer Ring (pinion end)
37	619160-001		x	x	x	x	x	x	x	Armature Shaft Bearing (internal) Retainer Washer
38	619111-001		x	x	x	x	x	x	x	Armature Shaft Bearing Retainer Spring (pinion end)
39	619110-001		x	x	x	x	x	x	x	Armature Shaft Bearing Retainer (pinion end)
40	92993-001		x	x	x	x	x	x	x	Armature Shaft Bearing (pinion end)
41	140894-001		x	x	x	x	x	x	x	Housing (pinion end) Fastening Screw (2)
42	619321-002		x	x	x	x	x	x	x	Housing (pinion end)
43	618721-002		x	x	x	x	x	x	x	Spacer
44	619314-001			x	x	x		x	x	Armature Complete)
	619314-002		x				x			Armature Complete
45	603811-001		x				x			Field Core (wound) Complete
	619327-001			x	x	x		x	x	Field Core (wound) Complete
46	197790-008	x	x	x	x	x	x	x	x	Brush Holder Spacing Bushing (2)
47	619324-001	x	x	x	x	x	x	x	x	Brush Holder with tubes
48	706404-019	x	x	x	x	x	x	x	x	Brush Holder Nut (2)
49	195541-001	x	x	x	x	x	x	x	x	Housing Bearing Retainer (commutator end)
50	195540-002	x	x	x	x	x	x	x	x	Housing Bearing (commutator end)
51	618631-001	x	x	x	x	x	x	x	x	Thrust Screw Nut
52	619320-004			x	x	x		x	x	Housing (commutator end)
	619320-007		x				x			Housing (commutator end)
53	603801-001		x	x	x	x	x	x	x	Motor Receptacle Cover
54	619329-001		x	x	x	x	x	x	x	Motors Hold Down Plate
55	619407-002		x	x	x	x	x	x	x	Motors Hold Down Plate Screw
56	507165		x	x	x	x	x	x	x	Rubber Ring
57	618630-001		x	x	x	x	x	x	x	Thrust Screw
58	51796		x	x	x	x	x	x	x	Housing (commutator end) Fastening Nut (2)
59	772915-004		x	x	x	x	x	x		Brush with Spring (2)
61	604173-001		x				x			Straight Line Potentiometer with Switch for 604178-001
62	619184-001		x				x			Actuating Lever with Torsion Spring
63	604176-001		x				x			Circuit Board Complete for 604178-001