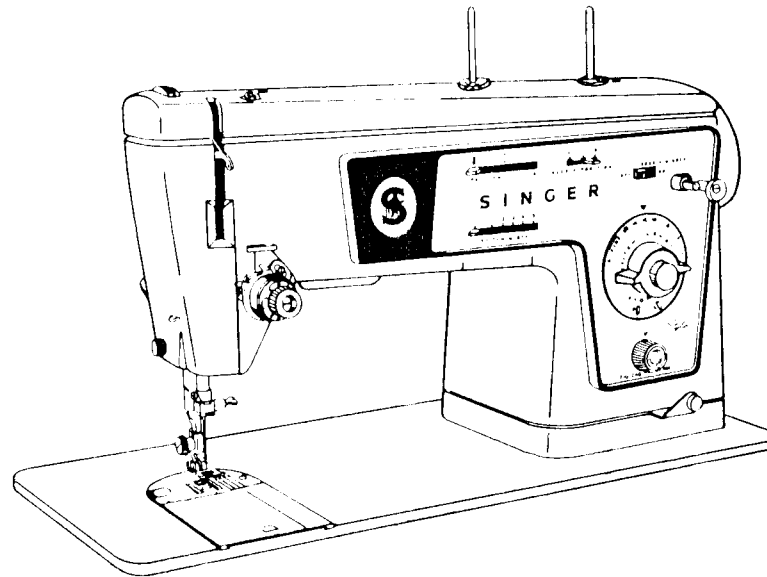


SINGER
476K

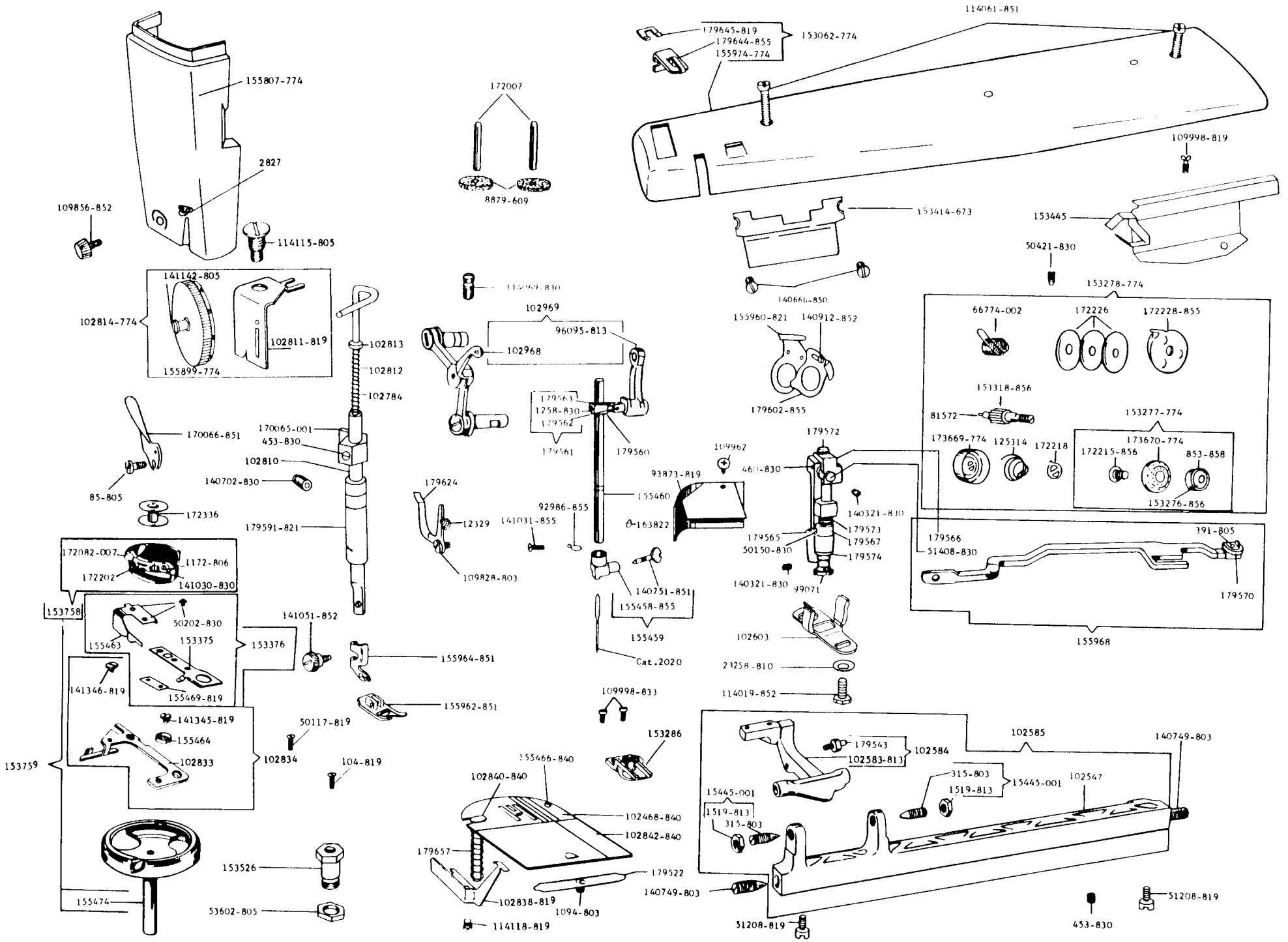
Parts Chart for **SINGER*** 476K Class Machines

MACHINE NO. 476K

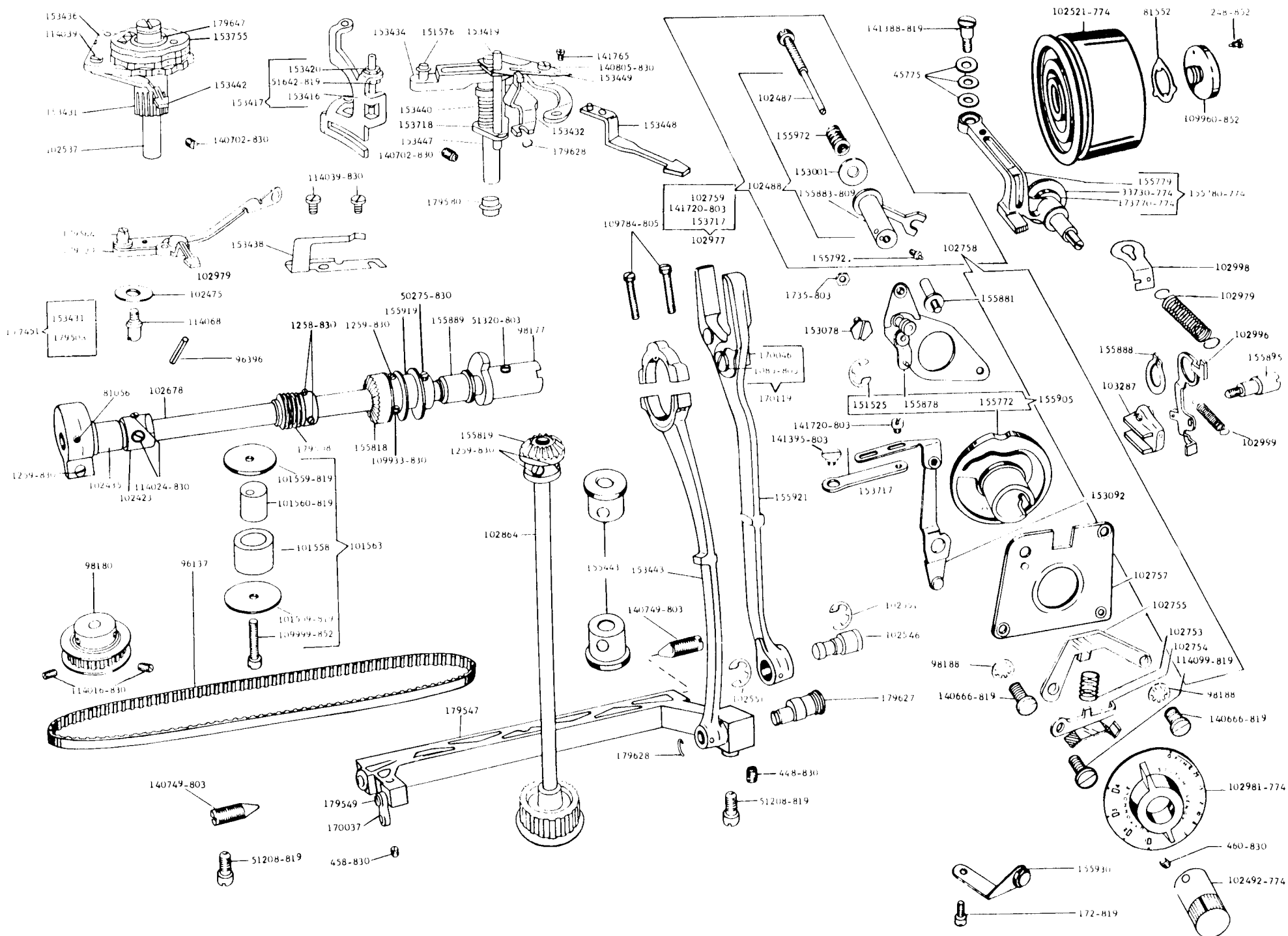


* A Trademark of THE SINGER COMPANY
© 1971 by The Singer Manufacturing Co. Ltd.
All rights reserved throughout the world.

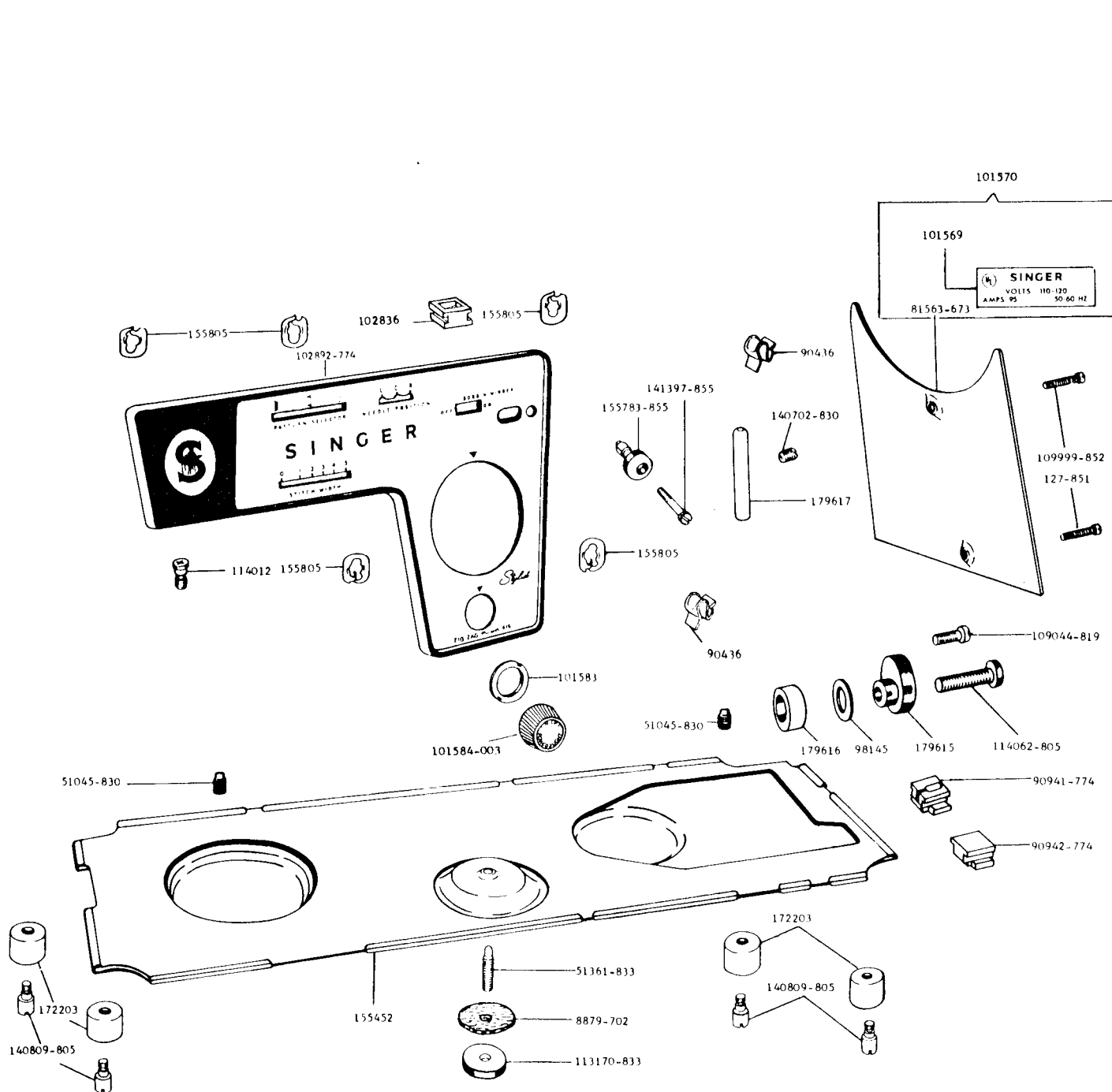
MACHINE NO. 476K



MACHINE NO. 476K



MACHINE NO. 476K



171313

