

SINGER
353/354

**LIST OF PARTS
FOR**

**SINGER^{*}
SEWING MACHINES**

353 & 354

*A Trademark of THE SINGER COMPANY

Contents

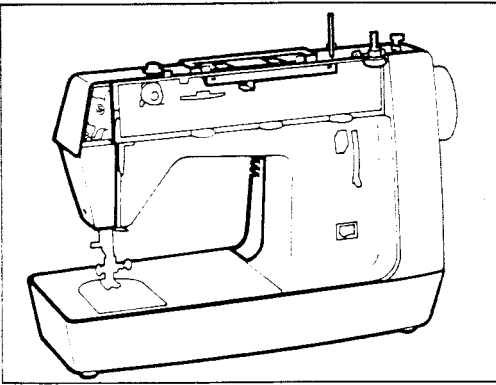
Group

Page

Group

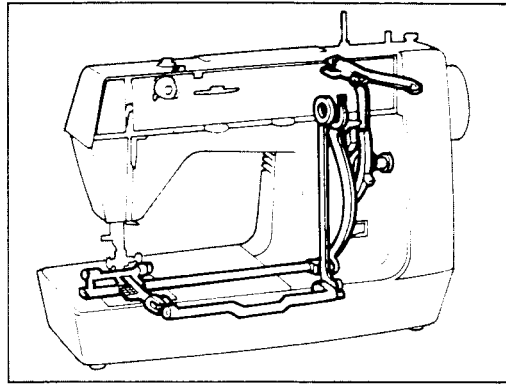
Page

1



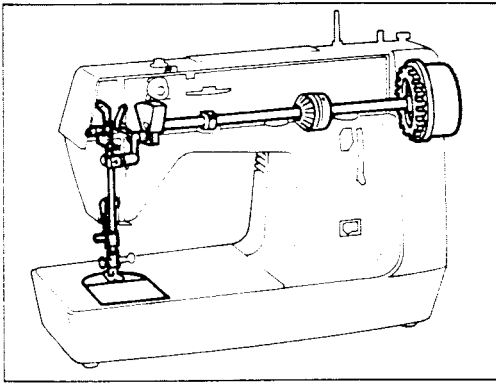
4

5



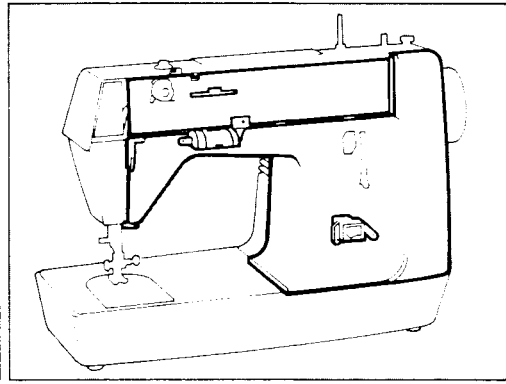
12

2



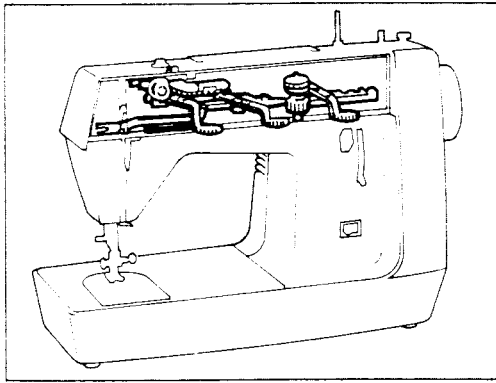
6

6



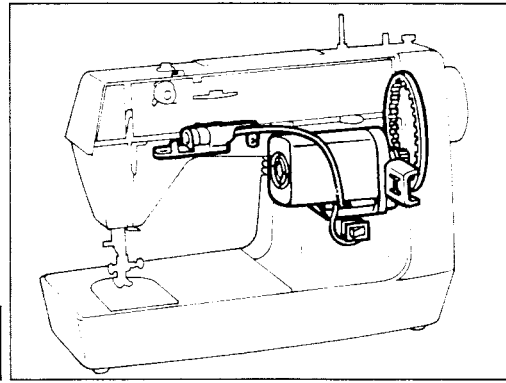
14

3



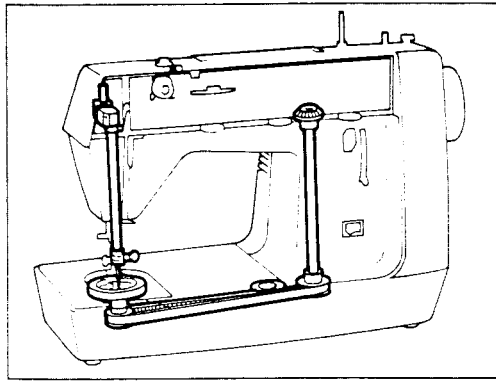
8

7



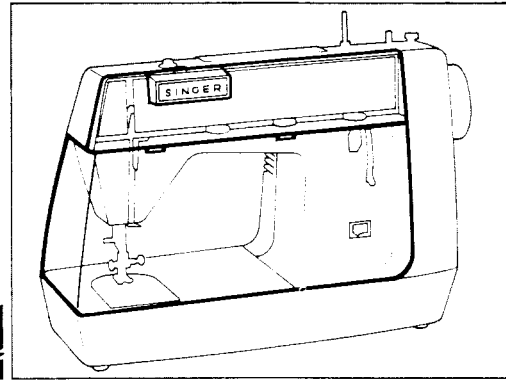
16

4

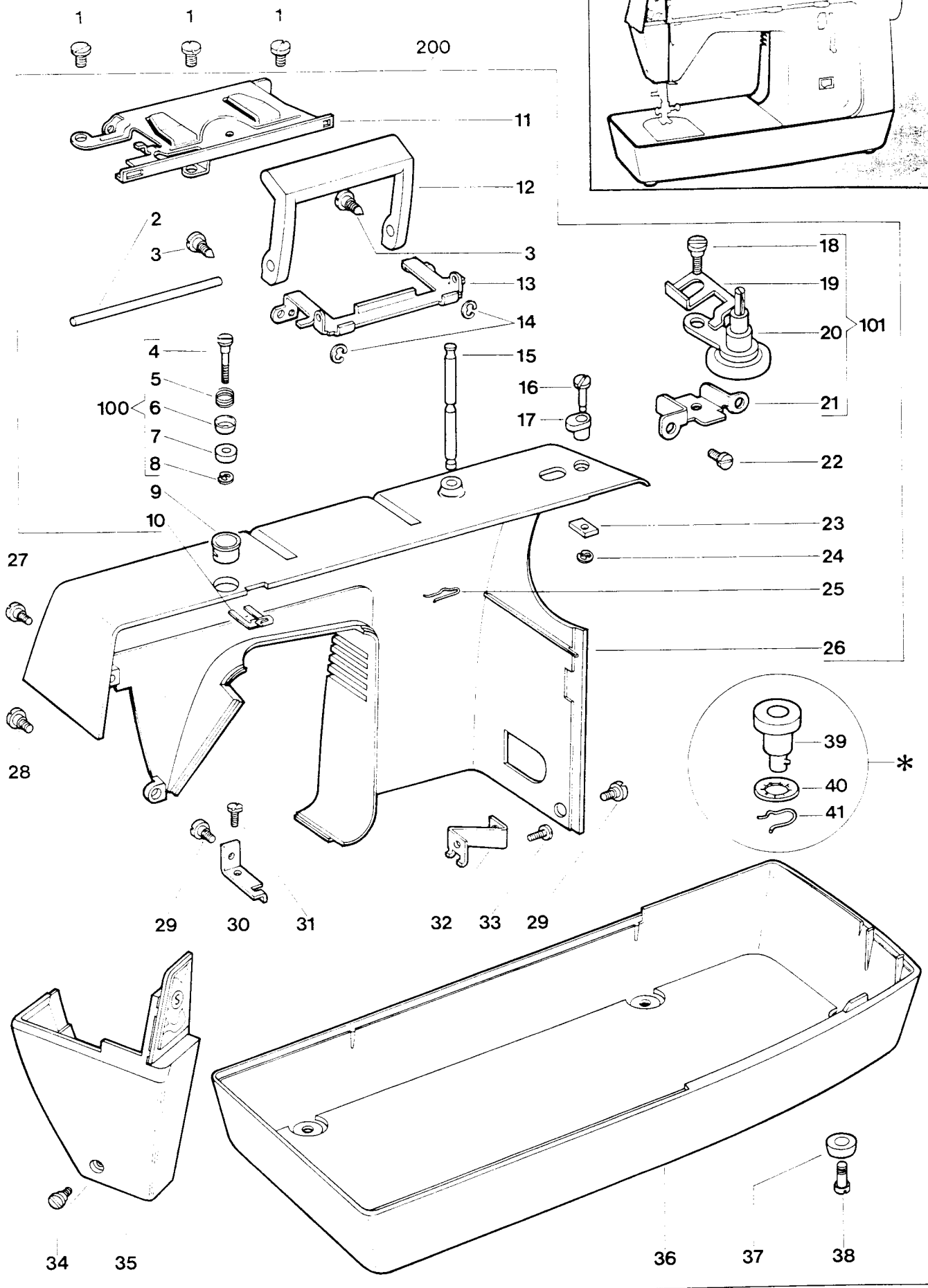
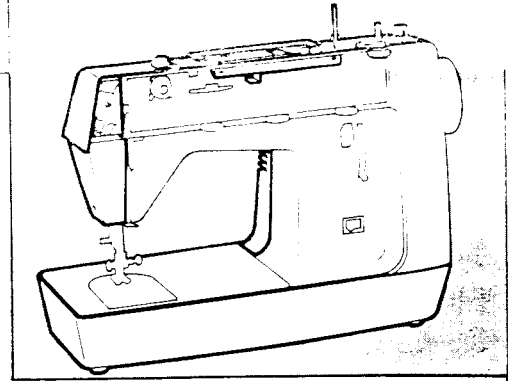


10

8



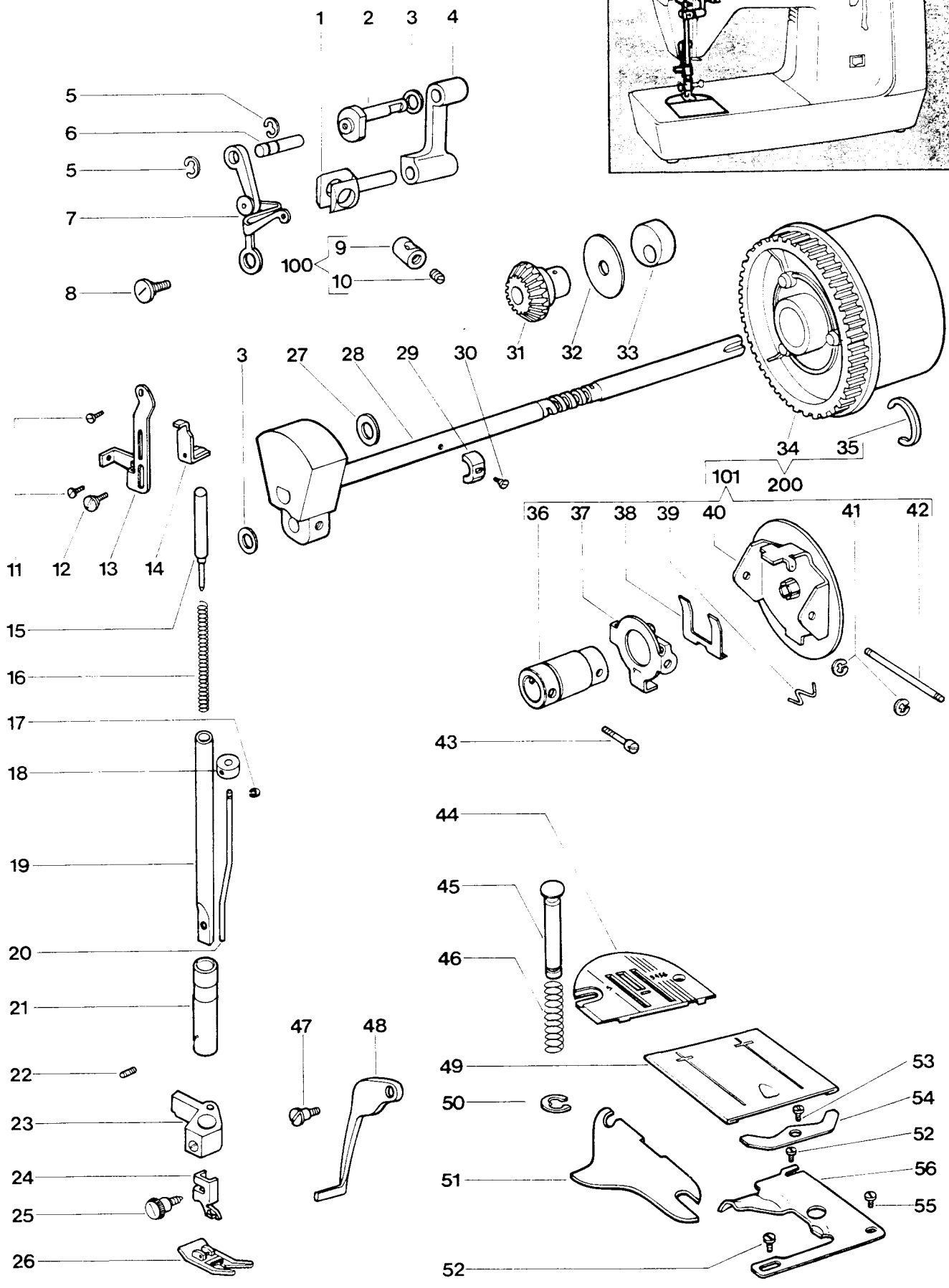
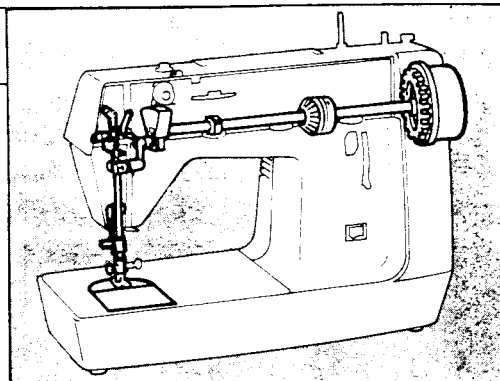
18



List of Parts for Machines 353 & 354

1

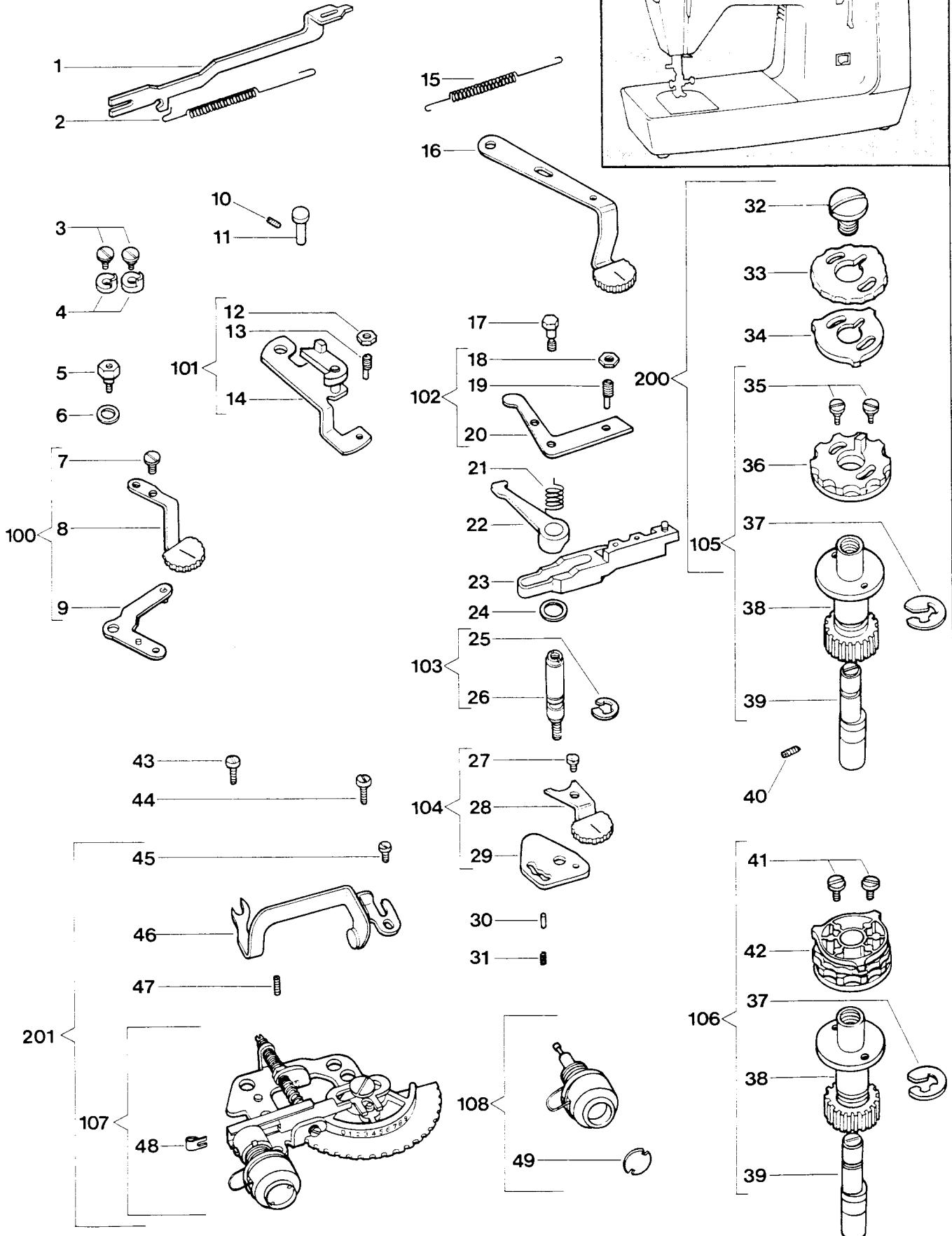
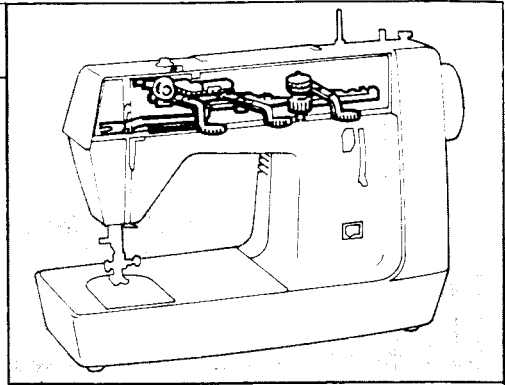
Sub. Ass.		ILLUS. REF. N°	Part N°	Part Description	353	354		
2XX	1XX							
		1	354261	Machine handle mounting bracket plate screw (lower) (3)	X	X		
200	┌	2	44996-451	Arm cover (back) complete	X	X		
		3	319652	Machine handle hinge pin	X	X		
			139988-451	Machine handle mounting bracket screw (2)	X	X		
100	┌	4	179813	Bobbin winder tension complete	X	X		
		5	179812	Bobbin winder tension stud	X	X		
		6	45847	Bobbin winder tension disc spring	X	X		
		7	45915	Bobbin winder tension disc	X	X		
		8	319606	Bobbin winder tension stud collar	X	X		
			319663	Bobbin winder tension stud retaining ring	X	X		
		9	179811	Bobbin winder tension stud bushing	X	X		
		10	319605	Bobbin winder tension ret. clip & arm cover (back) thread guide	X	X		
		11	319583	Machine handle mounting bracket plate	X	X		
		12	319673-001	Machine handle	X	X		
		13	319582	Machine handle mounting bracket	X	X		
		14	319858	Machine handle mounting retaining ring	X	X		
		15	44998	Arm cover (back) spool pin (retractable)	X	X		
		16	139982-451	Bobbin winder stop screw	X	X		
		17	319601-451	Bobbin winder stop (plastic)	X	X		
		101	┌	18	319608	Bobbin winder complete assembly	X	X
				19	354223-451	Bobbin winder lever hinge screw	X	X
20	319865			Bobbin winder engaging spring	X	X		
21	319607			Bobbin winder complete	X	X		
	319600			Bobbin winder mounting bracket	X	X		
22	354309-451			Bobbin winder mounting bracket screw	X	X		
23	54580-451			Bobbin winder stop screw nut	X	X		
24	44784			Bobbin winder stop screw nut retaining ring	X	X		
25	179814			Arm cover (back) spool pin retaining clip	X	X		
26	44995-903			Arm cover (back)	X	X		
27	354051-452			Arm cover (back) screw (upper, left)	X	X		
28	354051-451	Arm cover (back) screw (lower, left)	X	X				
29	139978-451	Arm cover (back) bracket (back) screw (upper)	X	X				
30	139978-451	Arm cover (back) screw (right end)	X	X				
31	319654	Arm cover (back) bracket (back)	X	X				
32	141848-819	Arm cover (back) bracket (back) screw (lower)	X	X				
33	44997	Arm cover (back) bracket (right end)	X	X				
34	141844-819	Arm cover (back) bracket (right end) screw	X	X				
35	354051-451	Face plate screw	X	X				
36	319533-451	Face plate	X	X				
37	319515-001	Bed cover plate (bottom) (plastic)	X	X				
38	45780-452	Bed cover plate (bottom) cushion (rubber) (4)	X	X				
	139980-451	Bed cover plate (bottom) cushion screw (4)	X	X				
			* For first Machines					
		39	44999-000	Arm cover (back) spool pin bushing (plastic)	X	X		
		40	319732	Arm cover (back) spool pin bushing retaining ring	X	X		
		41	45000	Arm cover (back) spool pin retaining clip	X	X		



List of Parts for Machines 353 & 354

2

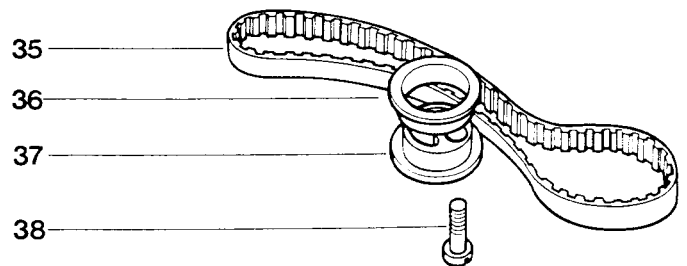
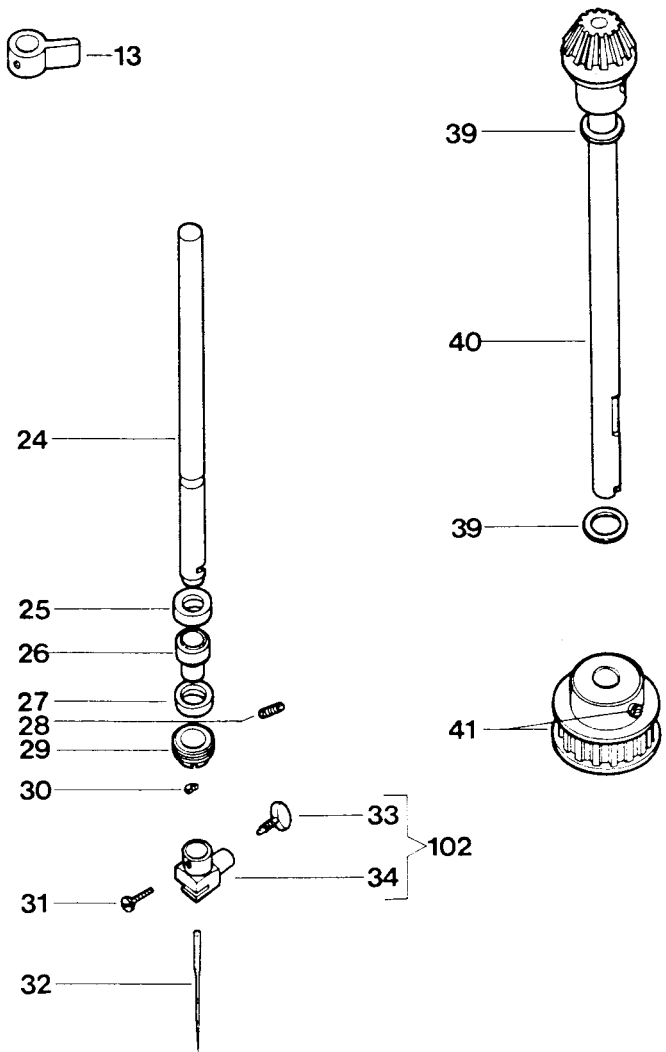
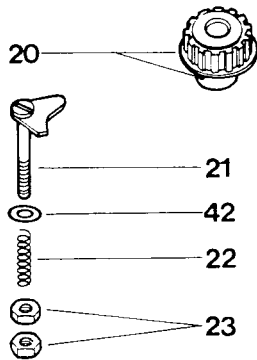
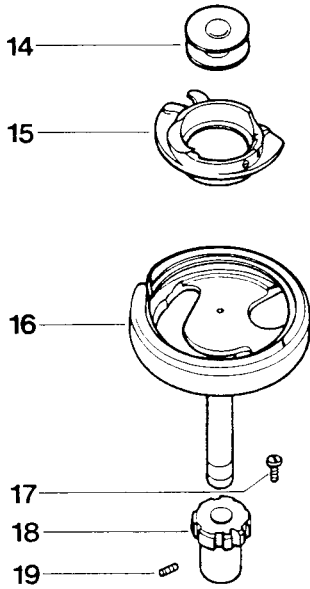
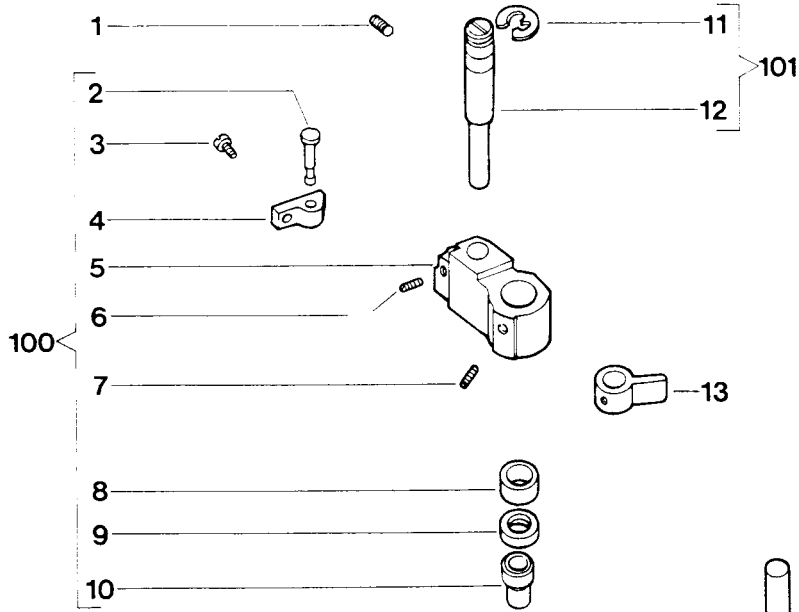
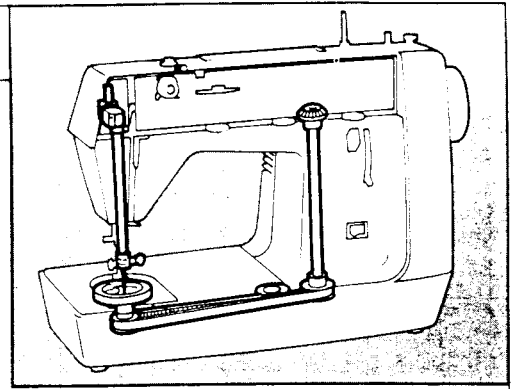
Sub. Ass.		ILLUS. REF. N°	Part N°	Part Description	353	354
2XX	1XX					
		1	37930	Needle bar connecting stud	X	X
		2	319825	Thread take-up crank	X	X
		3	319822	Thread take-up crank washer (2)	X	X
		4	319824	Needle bar connecting link	X	X
		5	44472	Thread take-up lever link hinge stud retaining ring (L & R.) (2)	X	X
		6	44421	Thread take-up lever link hinge stud	X	X
		7	319860	Thread take-up lever	X	X
		8	141809-805	Thread take-up lever cap screw	X	X
	100	9	37932	Needle bar connecting stud hinge pin with screw	X	X
		10	37931	Needle bar connecting stud hinge pin	X	X
			141916-833	Needle bar clamping screw	X	X
		11	141844-819	Presser bar pressure regulating bracket screw (2)	X	X
		12	141830-803	Presser bar pressure regulating bracket slide screw	X	X
		13	319593	Presser bar pressure regulating bracket	X	X
		14	319594	Presser bar pressure regulating bracket slide	X	X
		15	37959-803	Presser bar pressure regulating extension pin	X	X
		16	319801	Presser bar spring	X	X
		17	179786	Tension releasing pin retaining ring	X	X
		18	44783	Tension releasing pin collar	X	X
		19	319758	Presser bar (hollow)	X	X
		20	44781	Tension releasing pin	X	X
		21	179780	Presser bar bushing	X	X
		22	141803-830	Presser bar bushing set screw	X	X
		23	44444-001	Presser bar guide bracket (with screw 354420-451)	X	X
		24	155964	Presser foot shank (snap-on)	X	X
		25	354135-451	Presser foot thumb screw	X	X
		26	155962	Presser foot plate (snap-on) zigzag sewing	X	X
		27	319764	Needle bar crank washer	X	X
		28	319509	Arm shaft (horizontal)	X	X
		29	319511	Arm shaft (horizontal) collar (plastic)	X	X
		30	354051-452	Arm shaft (horizontal) collar screw	X	X
		31	37229	Arm shaft (horizontal) bevel gear (plastic) & feed lifting	X	X
		32	37284-001	Feed forked connection retaining washer	X	X
		33	37281	Feed cam	X	X
	200		319562-451	Hand wheel complete	X	X
		34	319555-451	Hand wheel	X	X
		35	319563	Hand wheel retaining ring	X	X
	101		319558-451	Hand wheel disengaging clutch complete	X	X
		36	319557	Hand wheel disengaging clutch bushing	X	X
		37	319566	Hand wheel disengaging clutch bushing plate	X	X
		38	319567	Hand wheel disengaging clutch bushing plate retainer	X	X
		39	319657	Hand wheel disengaging clutch actuating spring	X	X
		40	319846-451	Hand wheel disengaging clutch engaging plate	X	X
		41	319561	Hand wheel disengaging clutch engaging plate hinge pin retaining ring (2)	X	X
		42	319560	Hand wheel disengaging clutch engaging plate hinge pin	X	X
		43	139983-451	Hand wheel disengaging clutch bushing screw	X	X
		44	37996-892	Throat plate for zigzag sewing	X	X
		45	102840-892	Throat plate clamp	X	X
		46	179657	Throat plate clamp spring	X	X
		47	141947-803	Presser bar lifter hinge screw	X	X
		48	179822	Presser bar lifter	X	X
		49	319516	Bed slide	X	X
		50	45973	Throat plate clamp spring retaining clip	X	X
		51	381903	Rotating hook bobbin, case retaining plate (adjustable)	X	X
		52	354229-451	RHBC retaining plate adj. screw (2)	X	X
		53	141848-819	Bed slide spring screw	X	X
		54	319517	Bed slide spring	X	X
		55	354227-451	RHBC retaining plate (adjustable screw)	X	X
		56	44873	Rotating hook bobbin case position plate	X	X



List of Parts for Machines 353 & 354

3

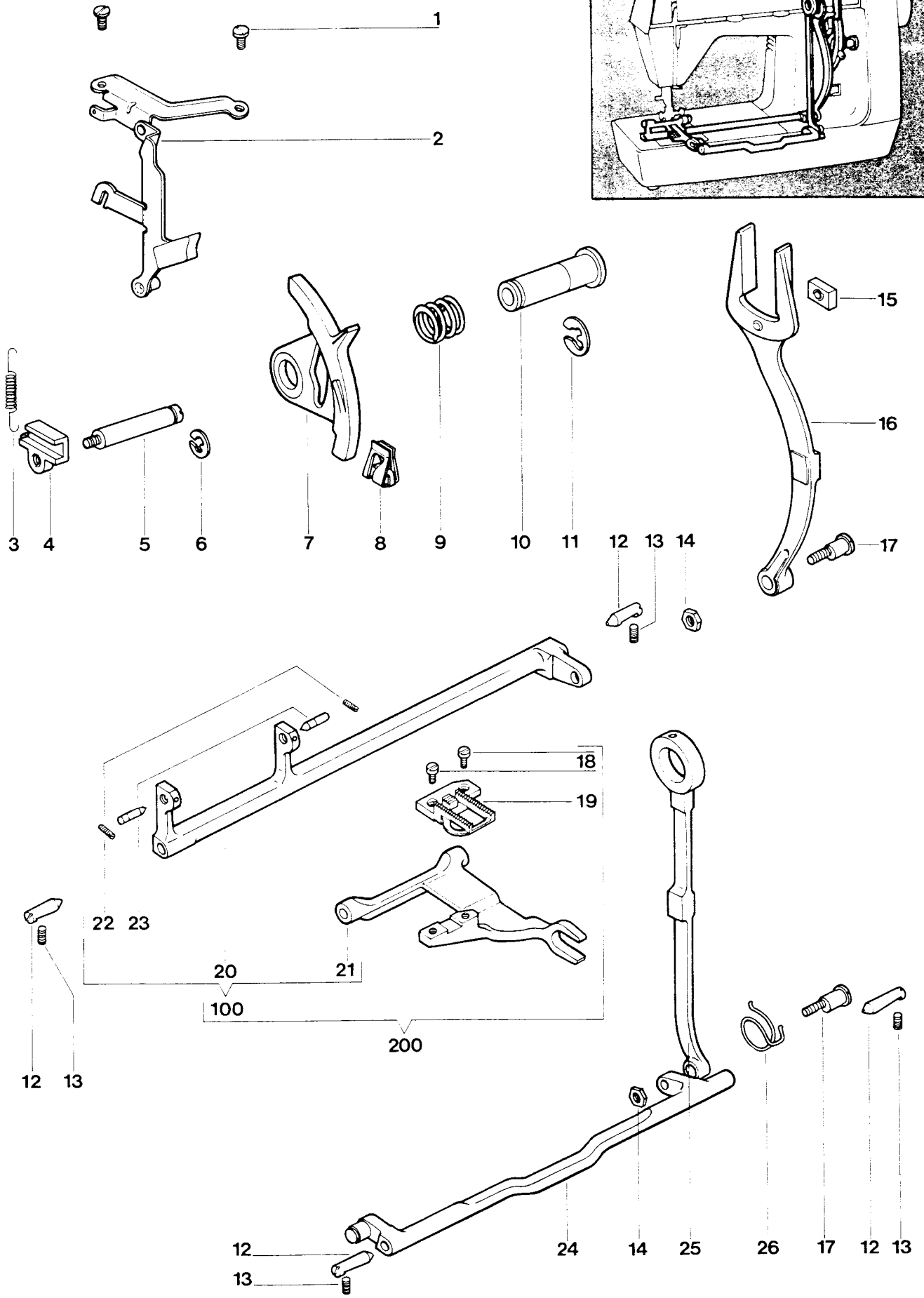
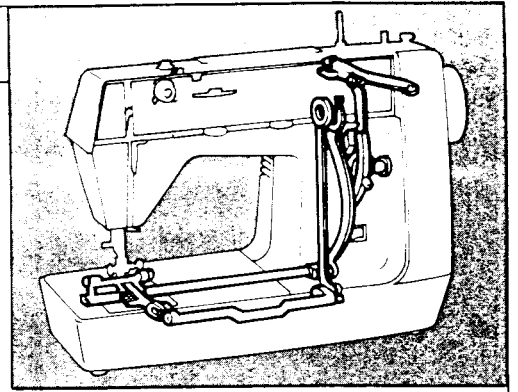
Sub. Ass.		ILLUS. REF. N°	Part N°	Part Description	353	354
2XX	1XX					
		1	37933-803	Needle bar driving arm	X	X
		2	37942	Needle bar driving arm tension spring	X	X
		3	14 1787-8 19	Bight amplitude control lever link stop screw (2)	X	X
		4	37248	Bight amplitude control lever link stop (plastic) (2)	X	X
		5	319522	Bight amplitude control lever link hinge screw stud	X	X
		6	49204-830	Bight amplitude control lever link hinge scr. stud friction washer	X	X
	100	7	319520-451	Bight amplitude control lever complete	X	X
		8	141913-8 19	Bight amplitude control lever screw	X	X
		9	319519-451	Bight amplitude control lever	X	X
			37246	Bight amplitude control lever link	X	X
		10	354083-451	Needle bar driving arm slide bracket hinge stud set screw	X	X
		11	179792	Needle bar driving arm slide bracket hinge stud	X	X
	101	12	319800	Needle bar driving arm slide bracket complete	X	X
			53641-8 19	Needle position selector lever bracket follower screw stud nut	X	X
		13	44471	Needle position selector lever bracket foll. scr. stud (eccentric)	X	X
		14	319798	Needle bar driving arm slide bracket	X	X
		15	446516	Disc follower disengaging lever spring	X	
		15	179798	Disc follower disengaging lever spring		X
		16	319531-451	Disc selector lever	X	X
		17	319666	Disc follower stud screw	X	X
	102		37265	Disc follower disengaging lever complete	X	
	102		179796	Disc follower disengaging lever complete		X
		18	53641-8 19	Disc follower disengaging lever adjusting screw stud nut	X	X
		19	44471	Disc follower disengaging lever adjusting screw stud	X	X
		20	37264	Disc follower disengaging lever	X	
		20	179795	Disc follower disengaging lever		X
		21	44419	Disc follower position spring	X	X
		22	37262-830	Disc follower	X	X
		23	319753	Disc selector cam slide	X	
		23	179800-000	Disc selector cam slide		X
		24	37276-8 19	Disc selector cam slide washer	X	X
	103		37269	Disc follower stud with retaining ring	X	X
		25	44371	Disc follower stud retaining ring	X	X
		26	37268	Disc follower stud	X	X
	104		319591-451	Needle position selector lever complete	X	X
		27	141913-8 19	Needle position selector lever screw	X	X
		28	319590-451	Needle position selector lever	X	X
		29	37953-805	Needle position selector lever bracket	X	X
		30	37955-803	Needle position selector lever bracket positioning pin	X	X
		31	37956	Needle position selector lever bracket positioning pin spring	X	X
	200		319720	Disc driving gear complete with discs & clamping screw	X	
		32	14 1792-8 19	Disc clamping screw	X	
		33	276302	Disc No. 2	X	
		34	276332	Disc No. 32	X	
	105		319719	Disc driving gear complete	X	
		35	141807-8 19	Disc positioning screw (2)	X	
		36	319694	Disc (plastic)	X	
		37	44730	Disc driving gear retaining ring	X	X
		38	37257	Disc driving gear	X	X
		39	37261	Disc driving gear shaft	X	X
		40	141938-833	Disc driving gear shaft set screw	X	X
	106		179817	Disc driving gear complete		X
		41	354259-451	Disc positioning screw (2)		X
		42	179803	Disc stack (plastic)		X
		37	44730	Disc driving gear retaining ring	X	X
		38	37257	Disc driving gear	X	X
		39	37261	Disc driving gear shaft	X	X
		43	141848-8 19	Tension mounting bracket screw (left)	X	X
		44	141830-803	Tension mounting bracket screw (right)	X	X
	201		319711-451	Tension mounting bracket with tension & releasing lever complete	X	X
		45	514541-451	Tension releasing lever mounting bracket screw	X	X
		46	319596	Tension releasing lever	X	X
		47	354066-451	Tension mounting bracket support screw	X	X
	107		506426-453	Tension mounting bracket with tension complete	X	X
		48	506379	Tension mounting slide plate spring clip	X	X
	108		506318-453	Tension complete with cap	X	X
		49	514605-452	Tension cap	X	X



List of Parts for Machines 353 & 354

4

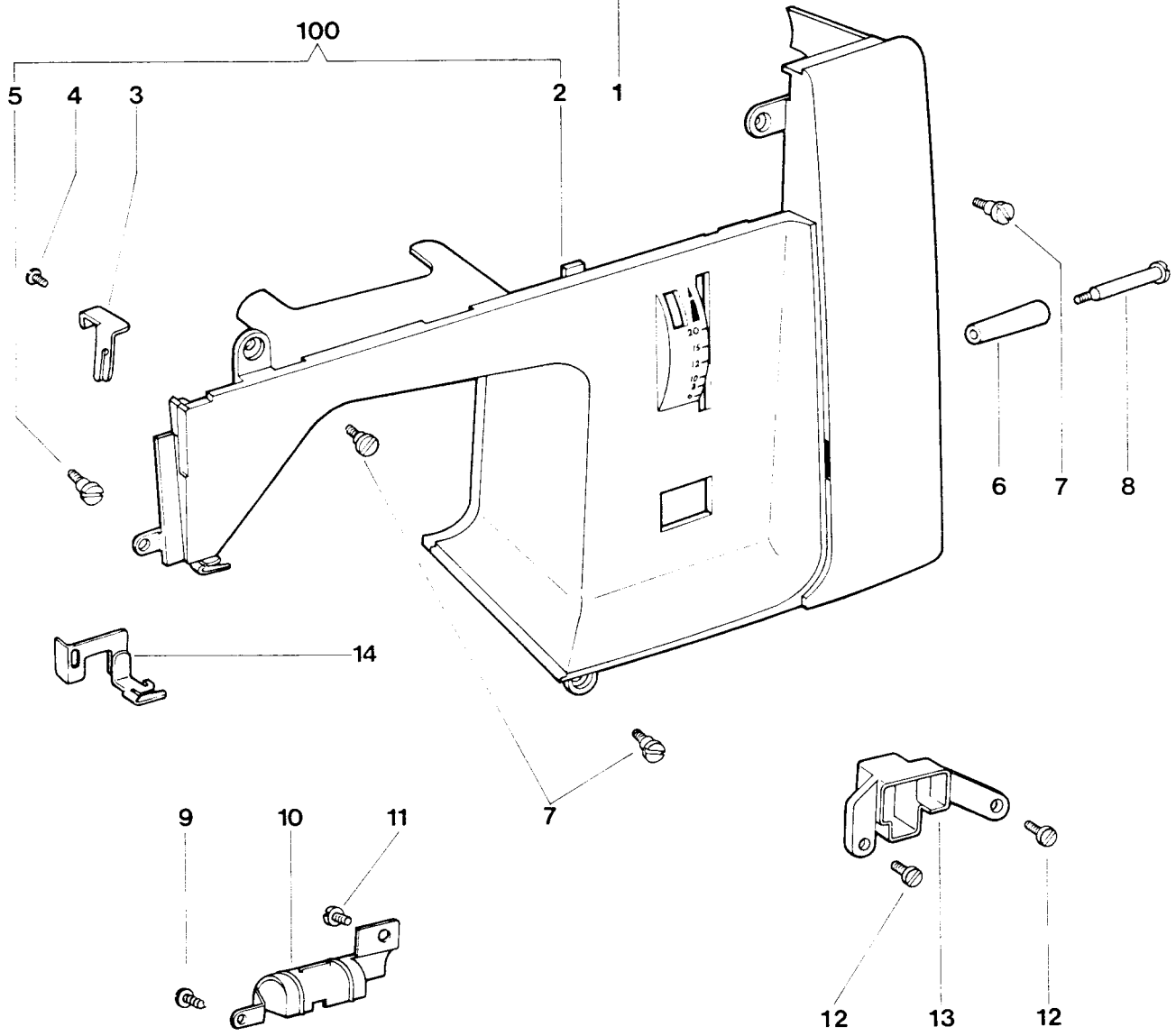
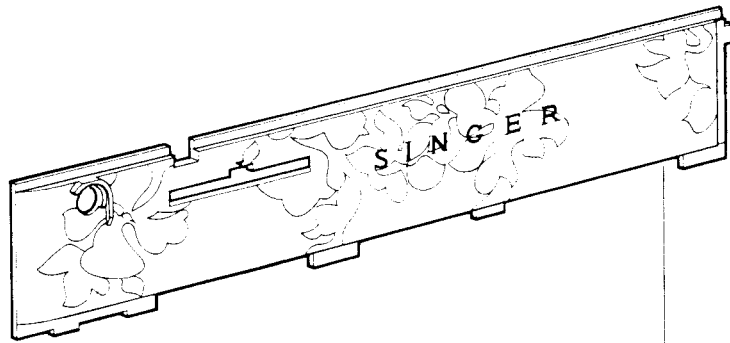
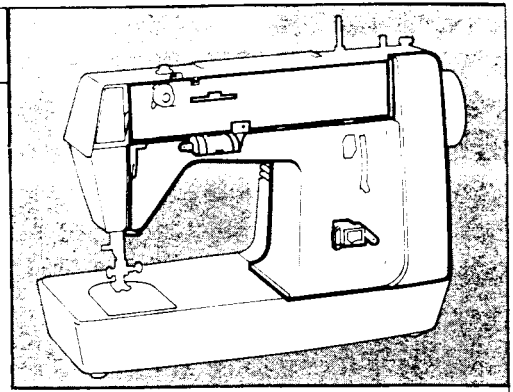
Sub. Ass.		ILLUS. REF. N°	Part N°	Part Description	353	354
2XX	1XX					
		1	141938-833	Needle bar vibrating bracket hinge pin (eccentric) set screw	X	X
	100		37945-001	Needle bar vibrating bracket complete	X	X
		2	37935	Needle bar driving arm hinge bracket hinge pin	X	X
		3	141844-819	Needle bar driving arm hinge bracket screw	X	X
		4	37934	Needle bar driving arm hinge bracket	X	X
		5	37944	Needle bar vibrating bracket	X	X
		6	141940-833	Needle bar driving arm hinge bracket hinge pin set screw	X	X
		7	141803-830	Needle bar ball bushing (upper) adjusting collar set screw	X	X
		8	37928	Needle bar ball bushing (upper) adjusting collar	X	X
		9	507379	Needle bar ball bushing (upper) socket	X	X
		10	37927-001	Needle bar ball bushing (upper)	X	X
	101		44451	Needle bar vibrating bracket hinge pin with retaining ring	X	X
		11	44371	Needle bar vibrating bracket hinge pin retaining ring	X	X
		12	44684	Needle bar vibrating bracket hinge pin	X	X
		13	44673-001	Needle bar vibrating bracket hinge pin collar (with screw 354203-451)	X	X
		14	172336	Rotating hook bobbin (plastic)	X	X
		15	310885	Rotating hook bobbin case	X	X
		16	44506	Rotating hook	X	X
		17	139943-803	Rotating hook flanged bushing eccentric position adjusting screw	X	X
		18	44512-805	Rotating hook flanged bushing (eccentric)	X	X
		19	141925-833	Rotating hook flanged bushing (eccentric) set screw	X	X
		20	37974-001	Rotating hook belt drive pulley (with 2 screws 354244-451)	X	X
		21	44890	Rotating hook bobbin case retaining plate	X	X
		22	44892	Rotating hook bobbin case retaining plate stud spring	X	X
		23	54576-819	Rotating hook bobbin case retaining plate stud nut (2)	X	X
		24	37926-830	Needle bar	X	X
		25	44450-805	Needle bar ball bushing (lower) socket (upper)	X	X
		26	37927-001	Needle bar ball bushing (lower)	X	X
		27	507379	Needle bar ball bushing (lower) socket (lower)	X	X
		28	141803-830	Needle bar ball bushing (lower) adjusting screw set screw	X	X
		29	44473-819	Needle bar ball bushing (lower) adjusting screw	X	X
		30	37943-803	Needle bar gib	X	X
		31	141808-892	Needle clamp body & needle stop screw	X	X
		32	cat. 2020	Needle size No. 14	X	X
	102		319729	Needle clamp complete	X	X
		33	511171-892	Needle thumb screw	X	X
		34	319728	Needle clamp body	X	X
		35	37977	Rotating hook driving belt (rubber)	X	X
		36	44410	Rotating hook driving belt tension adjuster (eccentric) roller	X	X
		37	44409	Rotating hook driving belt tension adjuster	X	X
		38	141794-819	Rotating hook driving belt tension adjuster (eccentric) screw	X	X
		39	319826	Arm shaft (upright) washer (2)	X	X
		40	319727	Arm shaft (upright)	X	X
		41	37234	Arm shaft (upright) belt drive pulley (with screw 141803-830)	X	X
		42	319737	Rotating hook bobbin case retaining plate stud washer	X	X



List of Parts for Machines 353 & 354

5

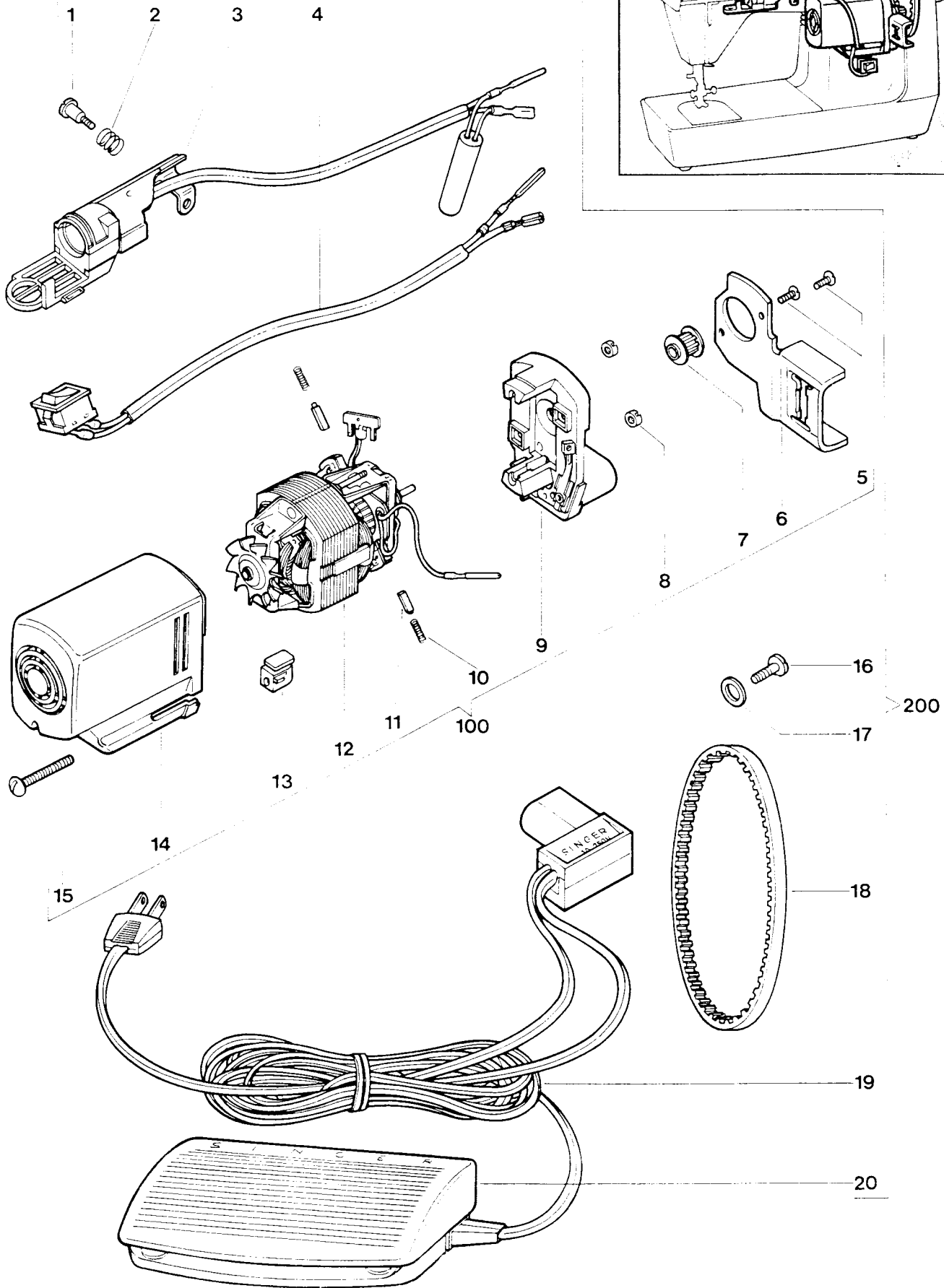
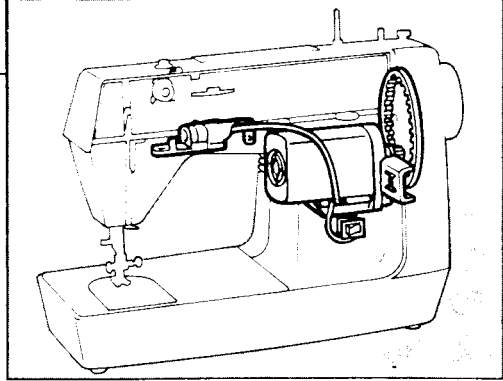
Sub. Ass.		ILLUS. REF. N°	Part N°	Part Description	353	354
2XX	1XX					
		1	141848-819	Feed regulator control arm mounting bracket screw (2)	X	X
		2	319540-451	Feed regulator control arm complete	X	X
		3	37913	Feed regulator return spring	X	X
		4	319536	Feed regulator	X	X
		5	319548	Feed regulator hinge stud	X	X
		6	319551	Feed regulator hinge stud retaining ring	X	X
		7	319544-451	Feed regulator control dial	X	X
		8	319524	Feed regulator control dial friction spring	X	X
		9	319550	Feed regulator hinge stud bushing spring	X	X
		10	319549	Feed regulator hinge stud bushing	X	X
		11	319546	Feed regulator control dial retaining ring	X	X
		12	37287-810	Feed rock shaft center (2)	X	X
		12	37287-810	Feed lifting rock shaft center (2)	X	X
		13	141925-833	Feed rock shaft center set screw (2)	X	X
		13	141925-833	Feed lifting rock shaft center set screw (2)	X	X
		14	53648-819	Feed forked connection hinge screw (eccentric) nut	X	X
		14	53648-819	Feed lifting rock shaft connecting rod hinge screw eccentric nut	X	X
		15	319820	Feed forked connection slide block	X	X
		16	37283	Feed forked connection	X	X
		17	141805-850	Feed forked connection hinge screw (eccentric)	X	X
		17	141805-850	Feed lifting rock shaft connecting rod hinge screw (eccentric)	X	X
200			319902	Feed rock shaft with feed dog complete	X	X
		18	141920-833	Feed dog screw (2)	X	X
		19	103188-650	Feed dog	X	X
	100		446718	Feed rock shaft complete	X	X
		20	446717	Feed rock shaft	X	X
		21	37280	Feed bar	X	X
		22	141938-833	Feed bar center set screw (2)	X	X
		23	446716	Feed bar center (2)	X	X
		24	37286	Feed lifting rock shaft	X	X
		25	37288-309	Feed lifting rock shaft connecting rod	X	X
		26	319830	Feed rock shaft spring	X	X



List of Parts for Machines 353 & 354

6

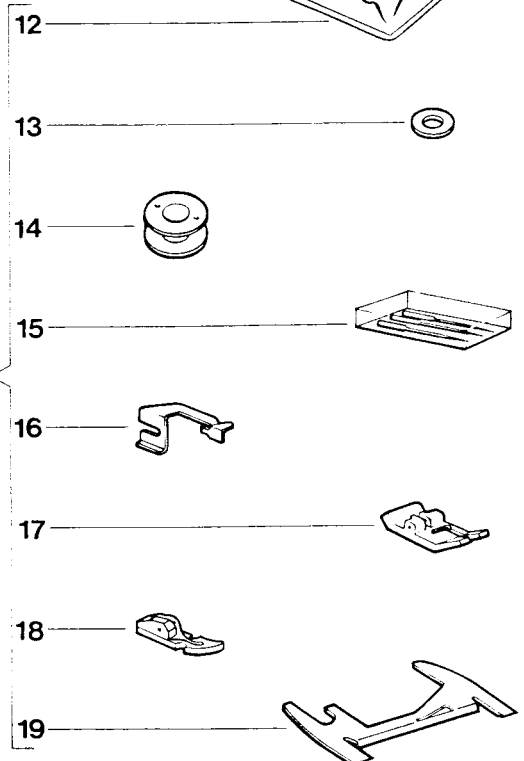
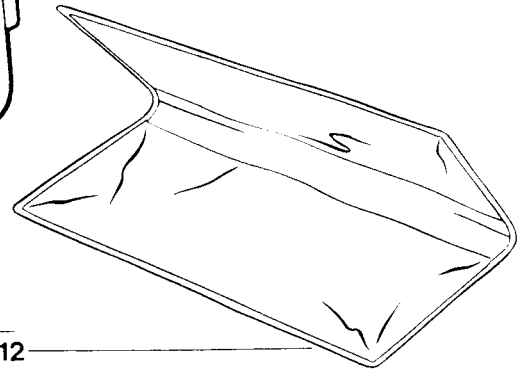
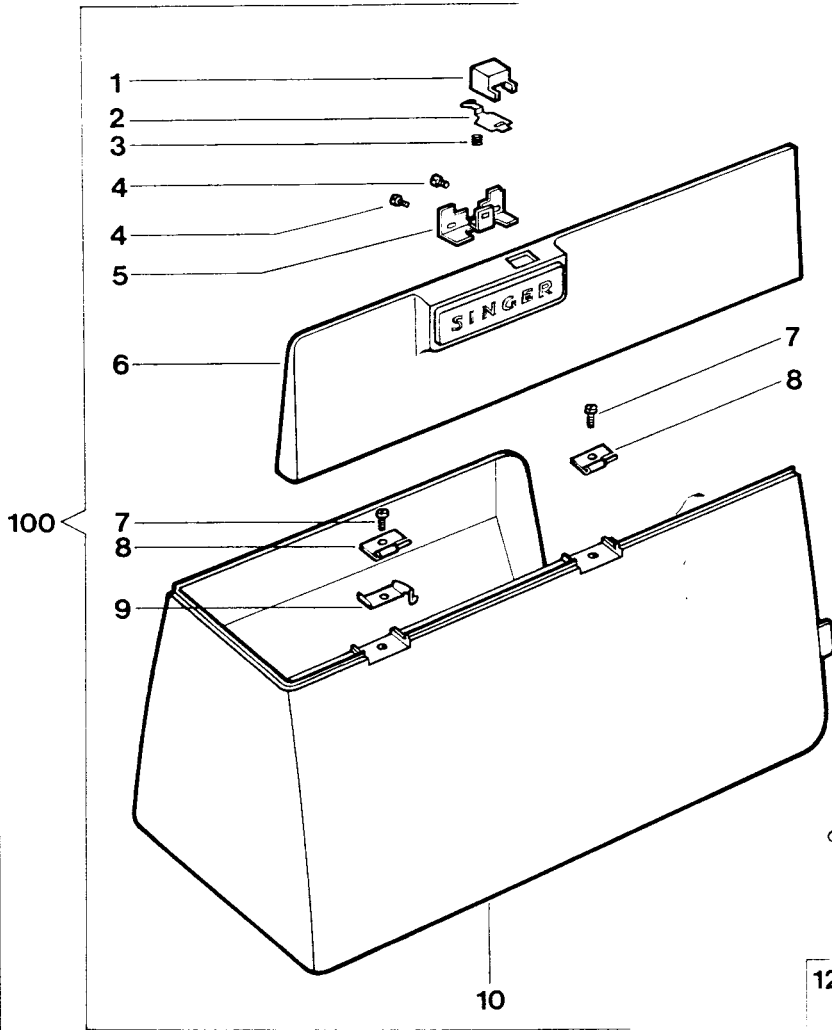
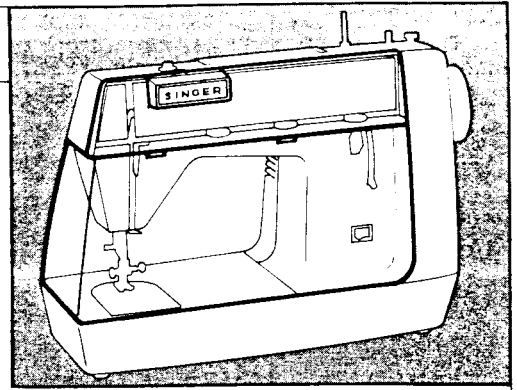
Sub. Ass.		ILLUS. REF. N°	Part N°	Part Description	353	354	
2XX	1XX						
		1	319523	Control panel	X		
		1	179802	Control panel		X	
			319502-001	Arm cover (front)	X	X	
	100	[2	319774-001	Arm cover (front)	X	X
			3	319506	Arm cover (front) thread guide	X	X
			4	354141-451	Arm cover (front) thread guide screw	X	X
			5	354051-452	Arm cover (front) screw (lower, left)	X	X
		6	319503	Arm cover (front) screw (right end) spacer (plastic)	X	X	
		7	139978-452	Arm cover (front) screw (upper, left & right) (2)	X	X	
		7	139978-452	Arm cover (front) screw (lower, right)	X	X	
		8	139979-451	Arm cover (front) screw (right end)	X	X	
		9	354050-451	Light shield screw (left)	X	X	
		10	319674	Light shield	X	X	
		11	354084-451	Light shield screw (right)	X	X	
		12	141848-819	Switch enclosure screw (2)	X	X	
		13	603979-001	Switch enclosure	X	X	
		14	179818	Arm cover (front) thread guide (lower) assembly	X	X	



List of Parts for Machines 353 & 354

7

Sub. Ass.		ILLUS. REF. N°	Part N°	Part Description	353	354
2XX	1XX					
200			604141-001	Electrical equipment complete 120V		
		1	603976-001	Light bracket spring screw		
		2	603987-001	Light bracket spring		
		3	603971-001	Light complete		
		4	603977-001	Switch complete		
	100		604044-001	Motor complete 120V		
		5	603956-001	Mounting bracket screw (2)		
		6	604209-002	Mounting bracket		
		7	604437-001	Pulley assembly		
		8	603907-001	Module mounting nut (2)		
		9	604008-002	Commutator end housing		
		10	619436-001	Brush spring (2)		
		11	619435-001	Brush (2)		
		12	603912-001	Module motor 120V		
		13	604013-001	Dust cover retainer block		
		14	604048-002	Dust cover		
		15	604016-001	Dust cover screw		
		16	604020-001	Machine mounting screw		
		17	604018-002	Machine mounting screw washer		
		18	603975-001	Belt		
		19	618633-000	Cords for foot controller		
		20	618597	Foot controller (618597-073-074-099 to 118)		



SINGER
INSTRUCTIONS

With NEW Elastic Stretch Stitch

Model 354
Model 353

Lightweight Portable Sewing Machine

101

List of Parts for Machines 353 & 354

8

Sub. Ass.		ILLUS. REF. N°	Part N°	Part Description	353	354
2XX	1XX					
	100		319565-451	Machine cover complete	X	X
		1	319570-451	Machine cover lid releasing button plastic	X	X
		2	319571	Machine cover lid catch	X	X
		3	179827	Machine cover lid releasing button spring	X	X
		4	139985-452	Machine cover lid releasing button mounting bracket screw (2)	X	X
		5	319710-451	Machine cover lid releasing button mounting bracket	X	X
		6	319569	Machine cover lid	X	X
		7	139986-451	Machine cover lid hinge screw (2)	X	X
		8	319689	Machine cover lid hinge body (lower) (2)	X	X
		9	319575-451	Machine cover lid hinge spring (left)	X	X
		10	179789-451	Machine cover	X	X
		11	B 214	Instruction book	X	
		11	B 254	Instruction book		X
	101		171492	Attachment set complete	X	X
		12	171469	Attachment pouch (plastic)	X	X
		13	319914	Arm cover (back) spool pin washer (felt)	X	X
		14	172336	Bobbins (3)	X	X
		15	103488	Needle pack (plastic)	X	X
		16	161963	Blindstitch guide (non-adjustable)	X	X
		17	171498	Special purpose presser foot plate	X	X
		18	507836	Presser foot plate (snap-on) complete for cording and slide fasten.	X	X
		19	161894	Throat plate raising plate	X	X