

**SINGER**  
258

**SINGER\***  
SINGER FACTORY - MONZA

**List of Parts**

**For Sewing Machine of the Class**

**258**

The Singer Company  
© 1972 Singer Monza  
All rights reserved

\* Registered Trademark

Printed in Italy

# Contents

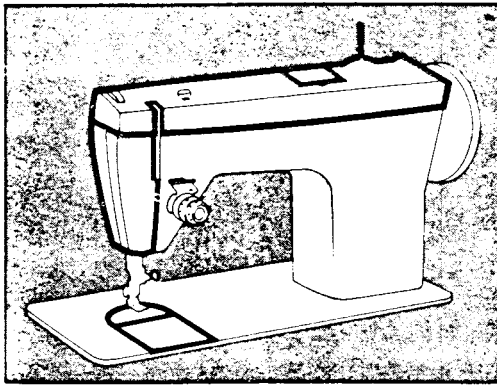
Group

Page

Group

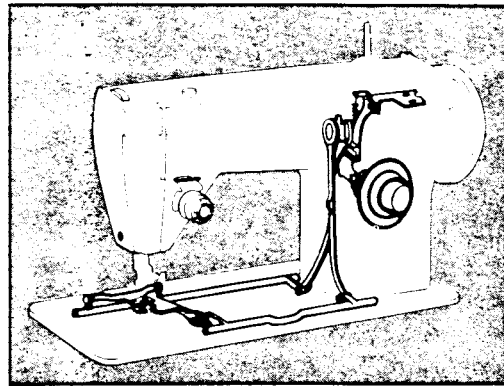
Page

**1**



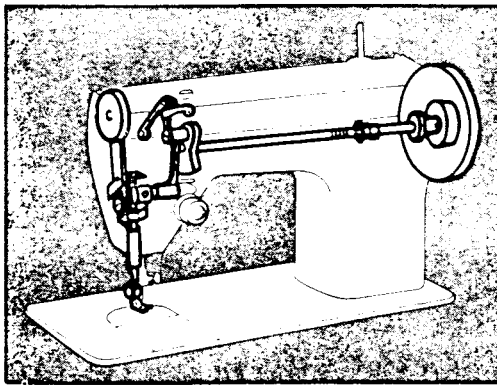
4

**5**



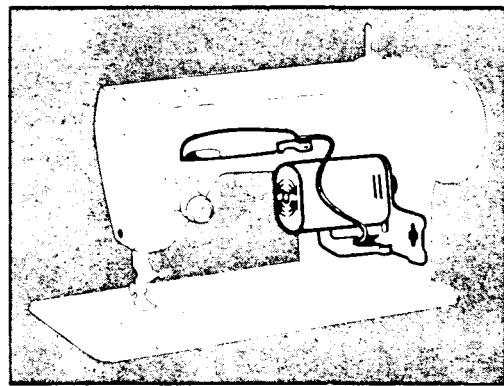
12

**2**



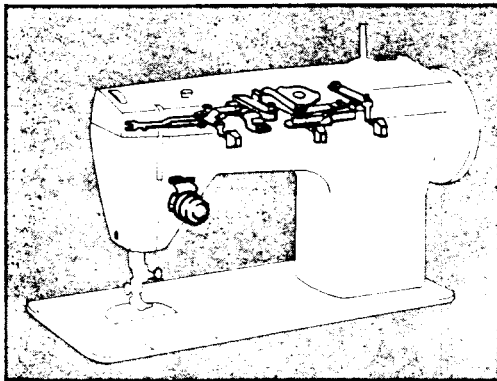
6

**6**



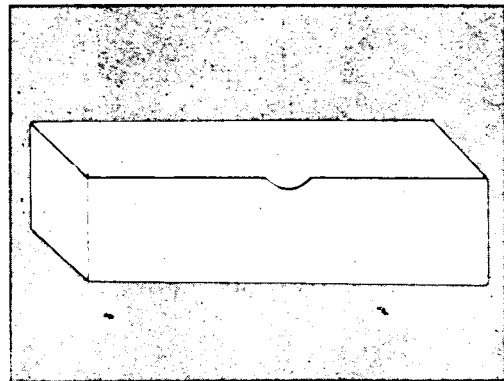
14

**3**



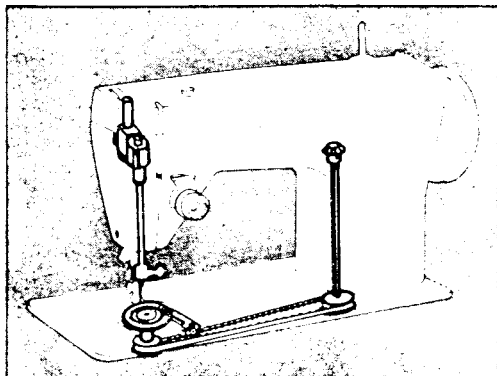
8

**7**



16

**4**

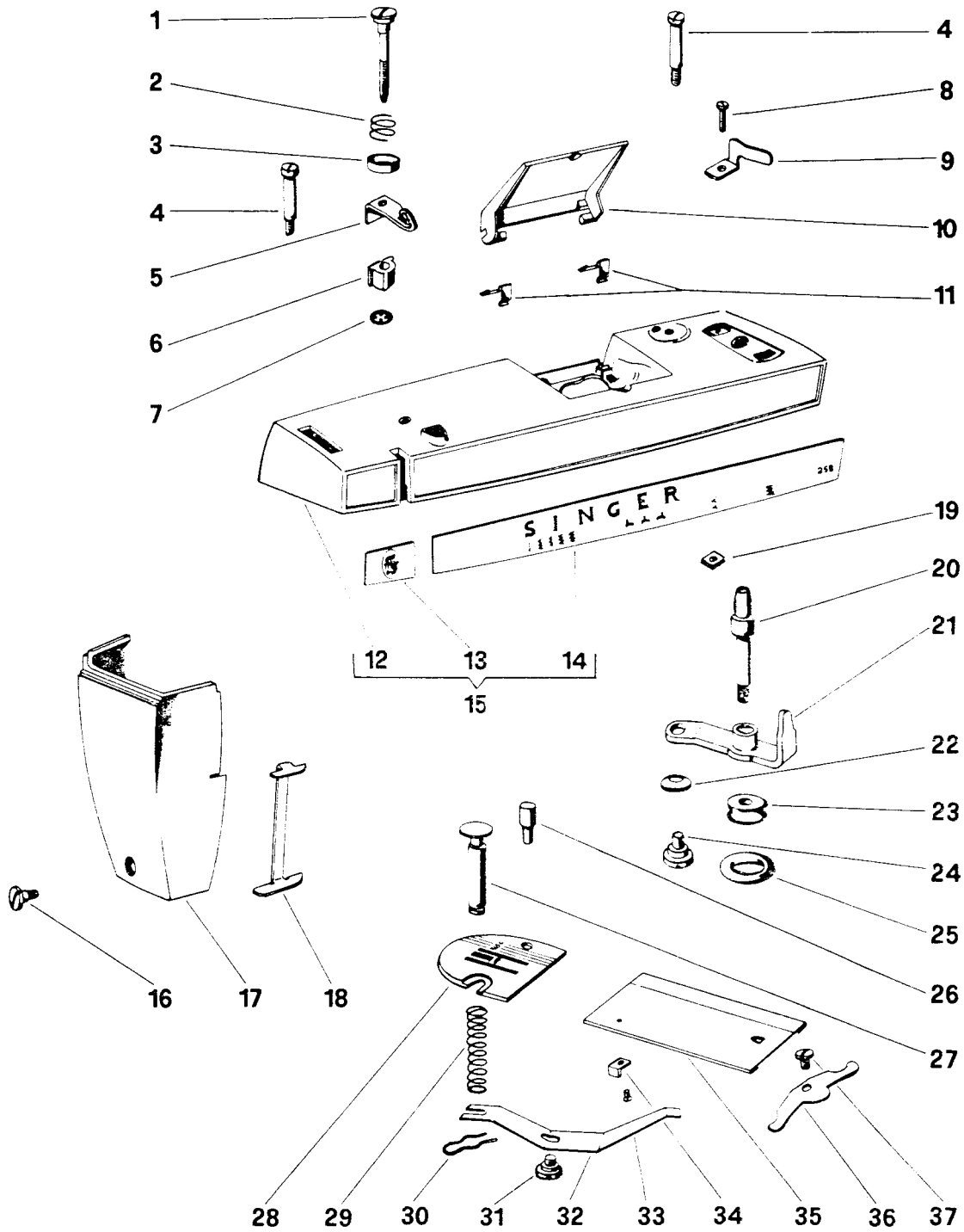
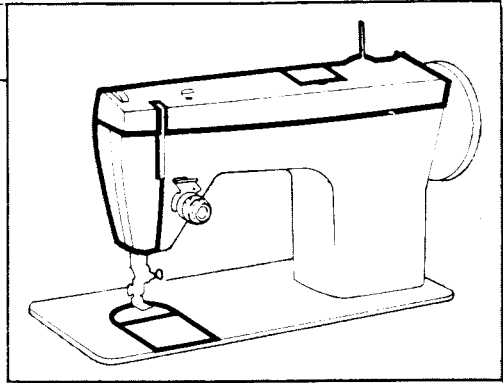


10

**8**

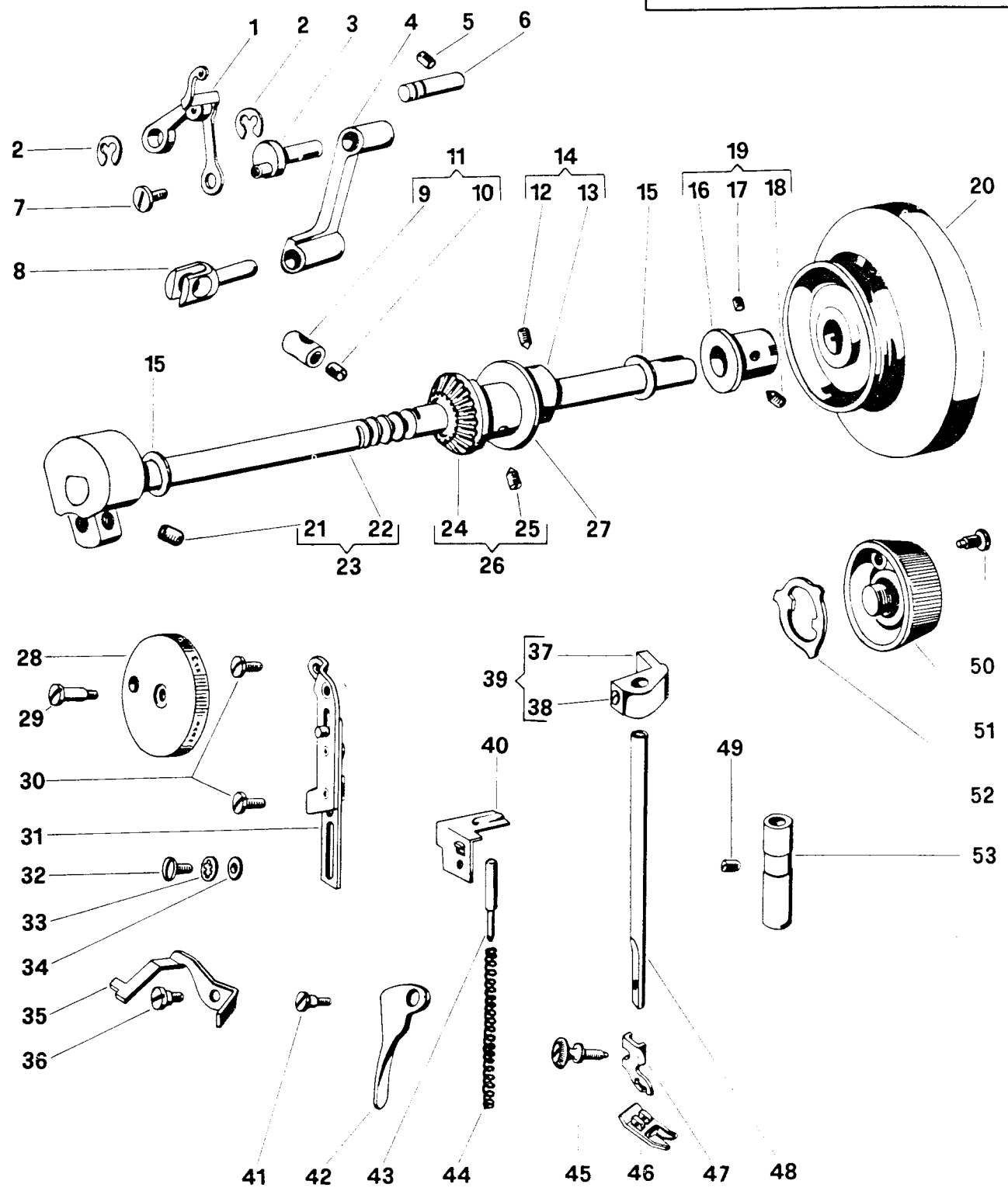
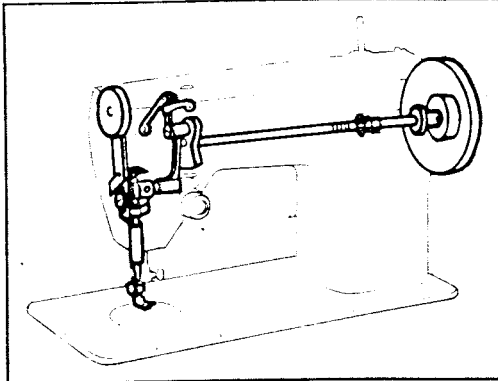
High Usage Parts

19



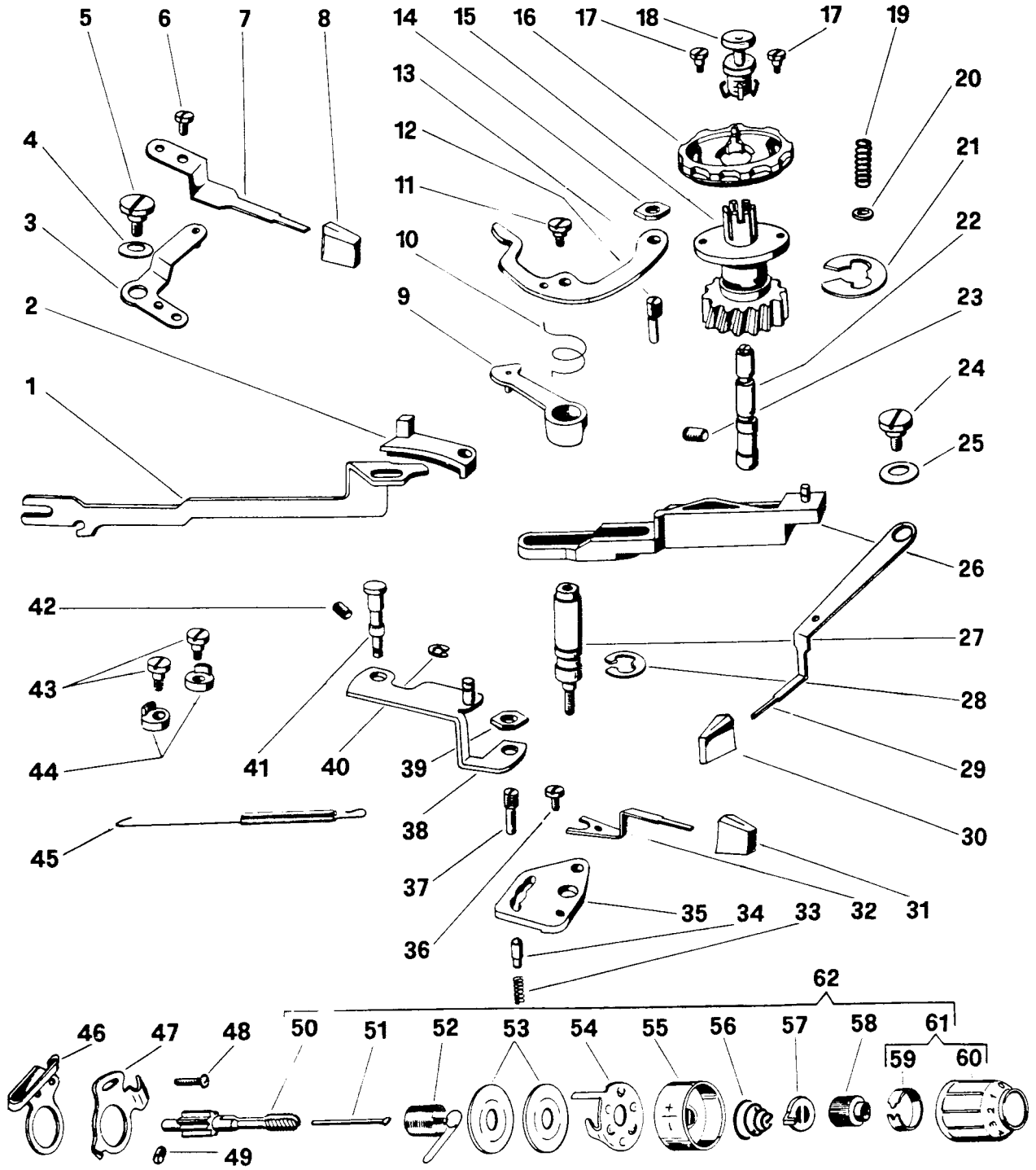
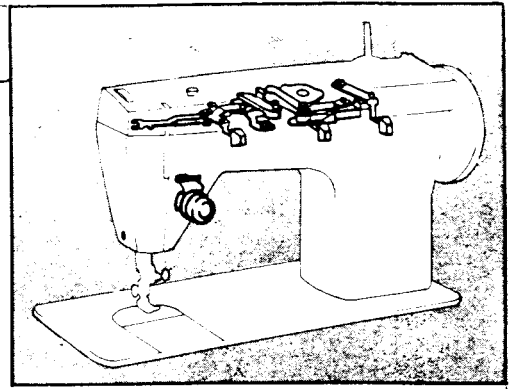
# List of Parts for 258 Machine Class

Nº	Part Nº	Part Description
1	44751	Bobbin Winder Tension Stud
2	45847	Bobbin Winder Tension Disc Spring
3	45915	Bobbin Winder Tension Disc
4	141788-892	Arm Top Cover Screws
5	319717-900	Bobbin Winder Tension Bracket & Thread Guide
6	44770-408	Bobbin Winder Tension Bracket Spacer
7	44447	Bobbin Winder Tension Stud Retaining Ring
8	141808-891	Bobbin Winder Stop Screw
9	44365	Bobbin Winder Stop
10	✓319743-451	Arm Top Cover Lid (Plastic)
11	✓319744	Arm Top Cover Lid Spring
12	✓319740-901	Arm Top Cover Compl., 319740-900 with 44745-900 and 44773-900
13	✓37253-904	Arm Top Cover Medallion Compl., 44719-904 with 44801-900
14	✓319745-900	Control Panel
15	✓319741-451	Arm Top Cover Compl. 319740-901 with 37253-904 and 319745-900 (for Agents only)
16	141787-892	Face Plate Screw
17	37279-408	Face Plate (Plastic)
18	44899	Face Plate Thread Guard
19	53640-819	Bobbin Winder Stop Screw Nut
20	319738	Bobbin Winder Spindle Compl., 38000-900 with 20477-997 and 319739-900
21	44861	Bobbin Winder Lever, 44860-900 with 37999-900
22	352026	Bobbin Winder Lever Hinge Screw Washer
23	44440	Bobbin Winder Pulley (Plastic)
24	141947-819	Bobbin Winder Lever Hinge Screw
25	15287-701	Bobbin Winder Friction Ring
26	44808	Throat Plate Position Pin
27	102840	Throat Plate Clamp
28	37996	Throat Plate for Zig-Zag Sewing
29	179657	Throat Plate Clamp Spring
30	179758	Throat Plate Clamp Spring Retaining Spring
31	141947	Throat Plate Clamp Releasing Lever Screw
32	44517	Throat Plate Clamp Releasing Lever
33	1172-806	Throat Plate Clamp Releasing Lever Actuator Screw
34	44518	Throat Plate Clamp Releasing Lever Actuator
35	44516	Bed Slide
36	✓37239-819	Bed Slide Spring
37	141848-819	Bed Slide Spring Screw



# List of Parts for 258 Machine Class

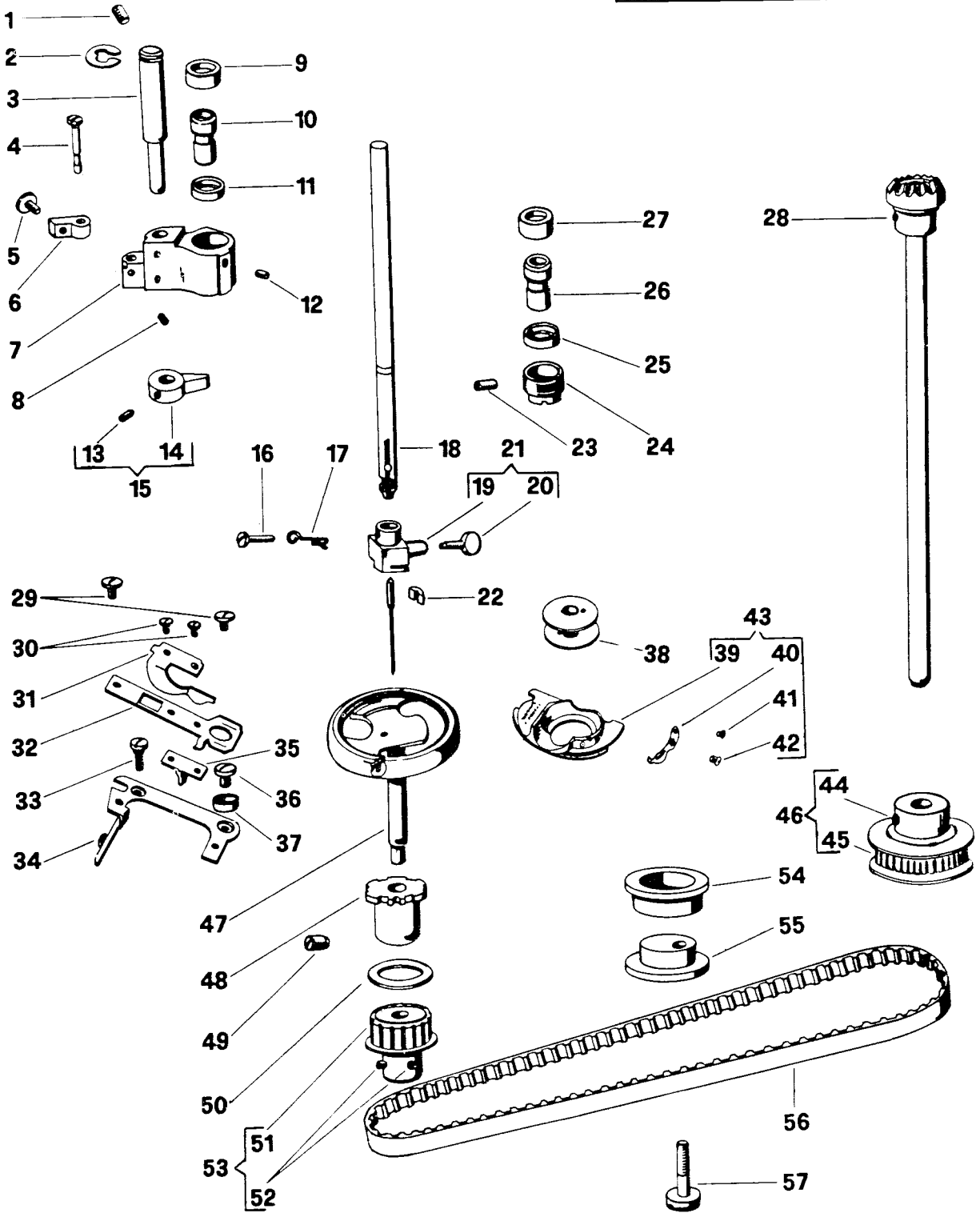
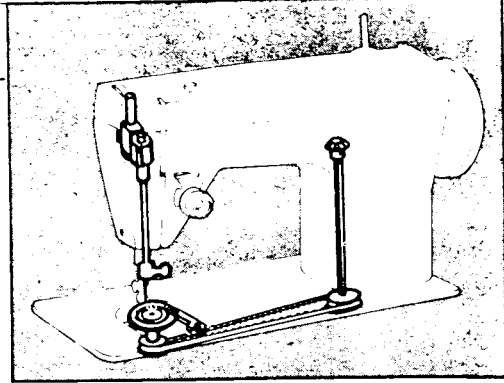
N <sup>o</sup>	Part N <sup>o</sup>	Part Description
1	319860	Thread Take-up Lever Compl. 319862-900 with 44426-900 and 319859-900
2	44472	Thread Take-up Lever Link Hinge Stud Retaining Ring (Left & Right)
3	319825	Thread Take-up Crank
4	44752	Needle Bar Connecting Link
5	141938-833	Thread Take-up Lever Link Hinge Stud Set Screw
6	44421	Thread Take-up Lever Link Hinge Stud
7	141809-805	Thread Take-up Lever Cap Screw
8	37930	Needle Bar Connecting Stud
9	37931	Needle Bar Connecting Stud Hinge
10	141916-833	Needle Bar Clamping Screw
11	37932	Needle Bar Connecting Stud Hinge Pin Compl. 37931 with 141916-833
12	141918-833	Feed Cam Set Screw
13	✓ 37281-901	Feed Cam
14	37281	Feed Cam Compl: (37281-901 with 141918)
15	319764	Clamp Stop Motion Flanged Bushing and Needle Bar Crank Washers (Plastic)
16	44422-901	Clamp Stop Motion Flanged Bushing
17	141916-833	Clamp Stop Motion Flanged Bushing Set Screw
18	141915-833	Clamp Stop Motion Flanged Bushing Positioning Screw
19	44679-650	Clamp Stop Motion Flanged Bushing Compl. 44422-901 with 141915 and 141916
20	44463-408	Hand Wheel
21	354105-833	Thread Take-up Crank Set Screw
22	✓ 37228-900	Arm Shaft (Horizontal)
	✓ 44399-900	Arm Shaft (Horizontal)
23	44374	Arm Shaft (Horizontal) Compl. 37228-900 with 44396-901 and 354105-833
24	44455-900	Arm-Shaft (Horizontal) Bevel Gear (Plastic) & Feed Lifting (Eccentric)
25	141918-833	Arm Shaft (Horizontal) Bevel Gear (Plastic) & Feed Lifting Eccentric Set Screw
26	37229	Arm Shaft (Horizontal) Bevel Gear (Plastic) & Feed Lifting Eccentric Compl. 44455-900 with 141918
27	37284	Feed Forked Connection Retaining Washer
28	✓ 44841-408	Presser Bar Pressure Regulating Knob
29	141941-819	Presser Bar Pressure Regulating Knob Screw
30	141913-819	Presser Bar Pressure Regulating Knob Bracket Screws
31	319804	Presser Bar Pressure Regulating Knob Bracket Compl. 319803-900 with 37966-900 and 37962
32	141848-819	Presser Bar Spring Adjusting Bracket Screw
33	44467	Presser Bar Spring Adjusting Bracket Screw Lock Washer
34	37969	Presser Bar Spring Adjusting Bracket Screw Washer
35	✓ 37985-900	Tension Releasing Lever
36	141786-803	Tension Releasing Lever Hinge Screw
37	✓ 44443-901	Presser Bar Guide Bracket
38	141925-833	Presser Bar Guide Bracket Set Screw
39	44444	Presser Bar Guide Bracket Compl. 44443-901 with 141925-833
40	37968	Presser Bar Spring Adjusting Bracket
41	141846-803	Presser Bar Lifter Hinge Screw
42	44445	Presser Bar Lifter
43	37959	Presser Bar Pressure Regulating Extension Pin
44	44449	Presser Bar Spring
45	354135-451	Presser Foot Thumb Screw
46	155962	Presser Foot Plate (Snap-on) for Zig-Zag Sewing Compl., 155961-901 with 102536-900
47	155964	Presser Foot Shank (Snap-on)
48	319758	Presser Bar (Hollow)
49	141803-830	Presser Bar Bushing Set Screw
50	141914-892	Clamp Stop Motion Clamp Stop Screw
51	44468-408	Clamp Stop Motion Clamp Screw (Plastic) Compl. 44469-900 with 44502-900
52	44464	Clamp Stop Motion Clamp Washer
53	37958	Presser Bar Bushing





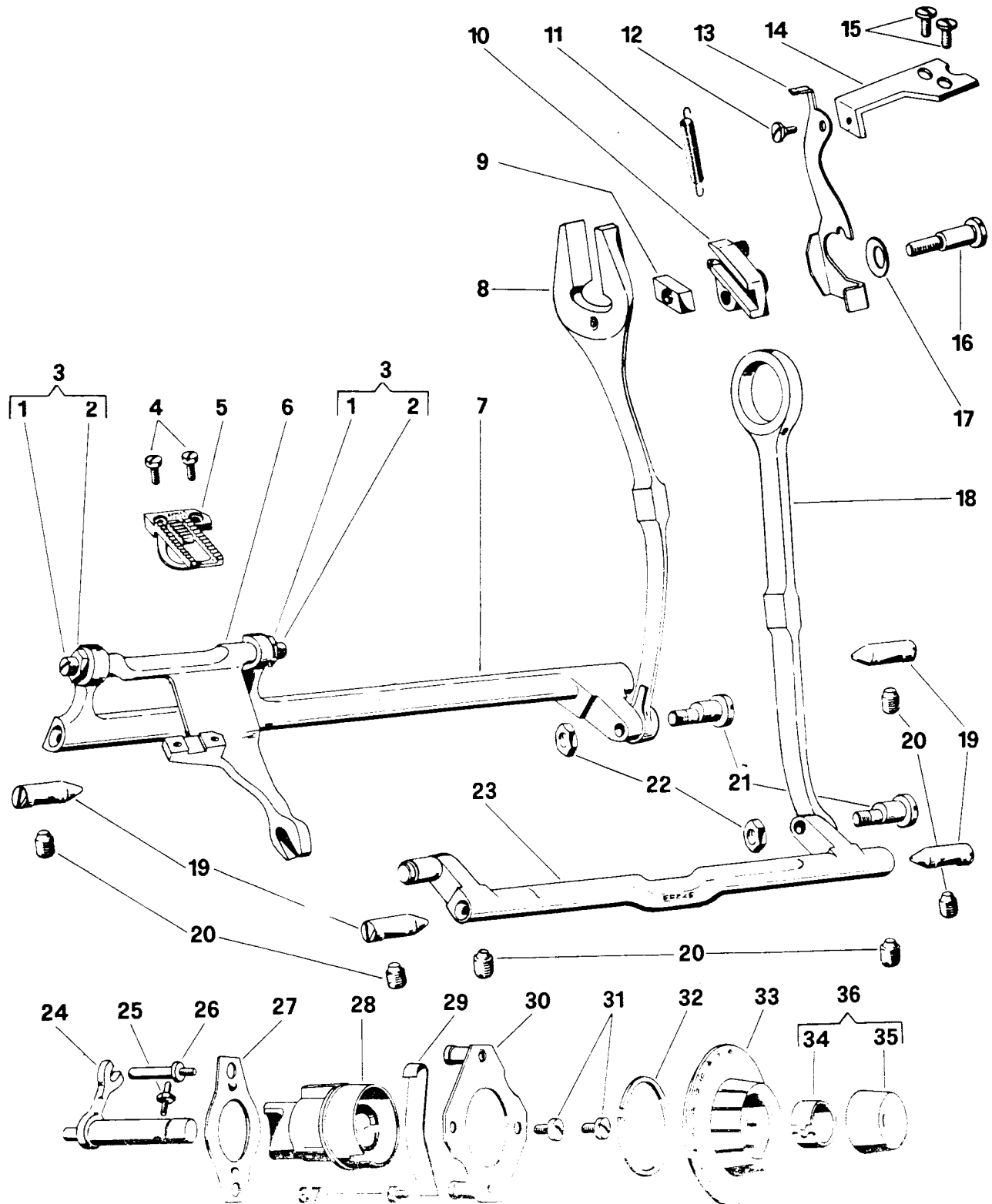
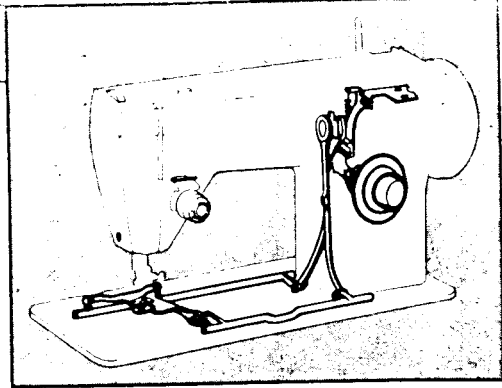
# List of Parts for 258 Machine Class

Nº	Part Nº	Part Description
1	37933	Needle Bar Driving Arm
2	37937	Needle Bar Driving Arm Slide
3	44828	Bight Amplitude Control Lever Link Compl. 44827-900 with 37247-900
4	49204	Disc Selector Lever Hinge Screw Friction Washer
5	141786-803	Bight Amplitude Control Lever Link Hinge Screw
6	141913-819	Bight Amplitude Control Lever Screw
7	✓37240-900	Bight Amplitude Control Lever
8	319722-901	Bight Amplitude Control Lever Knob Color Code No. 408
9	✓446610	Disc Follower Compl. 37262 wit pin 446609-900
10	44419	Disc Follower Positioning Spring
11	141787-803	Disc Follower Stud Screw
12	44471	Needle Position Selector Lever Bracket Follower Screw Stud (Eccentric)
13	✓319746	Disc Follower Disengaging Lever
14	53641-819	Disc Follower Disengaging Lever Adjusting Screw Stud (Eccentric) Nut
15	✓319685	Disc Driving Gear Compl. 319684-900 with 44813
16	✓319694	Disc (Plastic) For Zig-Zag Stitch
17	141807-819	Disc Spacer Positioning Screws
18	✓319682	Disc Releasing Stud Compl. 319678-900 with 319680-900, 319681-900 and 319881
19	✓319679	Disc Releasing Stud Spring
20	✓319775	Disc Releasing Stud Spring Washer
21	44730	Disc Driving Gear Retaining Ring
22	✓37261	Disc Driving Gear Shaft
23	141938-833	Disc Driving Gear Shaft Set Screw
24	141786-803	Disc Selector Lever Hinge Screw
25	49204	Disc Selector Lever Hinge Friction Washer
26	44721	Disc Selector Lever Hinge (Plastic)
27	✓37268	Disc Follower Stud
28	44371	Disc Follower Stud Retaining Ring
29	✓37277-900	Disc Selector Lever
30	319722-901	Disc Selector Lever Knob Color Code No. 408
31	319722-901	Needle Position Selector Lever Knob (Color Code No. 408)
32	✓37951-900	Needle Position Selector Lever
33	37956	Needle Position Selector Lever Bracket Positioning Spring
34	37955	Needle Position Selector Lever Bracket Positioning Pin
35	37953	Needle Position Selector Lever Bracket
36	141913-819	Needle Position Selector Lever Screw
37	44471	Disc Follower Disengaging Lever Adjusting Screw Stud (Eccentric)
38	319798	Needle Bar Driving Arm Slide Bracket Compl. 319797-900 with 319799-900
39	53641-819	Needle Position Selector Lever Bracket Follower Screw Stud (Eccentric) Nut
40	44477	Needle Bar Driving Arm Slide Retaining Ring
41	37941	Needle Bar Driving Arm Slide Bracket Hinge Stud
42	141938	Disc Driving Gear Shaft Set Screw
43	141787-803	Bight Amplitude Control Lever Link Stop Screws
44	37248	Bight Amplitude Control Lever Link Stops (Plastic)
45	37942	Needle Bar Driving Arm Tension Spring
46	✓37990	Thread Guide (Upper)
47	44392	Slack Thread Regulator & Tension Thread Guide
48	141920	Slack Thread Regulator & Tension Thread Guide & Thread Guide (Upper) Screw
49	141803-830	Tension Stud Set Screw
50	44454	Tension Stud Compl. 44453-900 with 81480-900
51	✓37986	Tension Releasing Pin
52	66774-002	Thread Take-up Spring
53	2102	Tension Discs
54	45343	Thread Take-up Spring Thread Guard
55	37987-408	Tension Spring Cup (Plastic)
56	125314	Tension Spring
57	37984	Tension Stop Washer
58	507405	Tension Indicator Adaptor
59	319773	Tension Indicator Compression Ring
60	✓37946-901	Tension Indicator
61	37979-408	Tension indicator Compl. 37946-901 with 319773
62	✓37988-400	Thread Tension Regulator Compl. 44454 with 37986 - 66774-002 - 2102 - 45343 - 37987-408 125314 - 37984 - 507405 and 37979-408



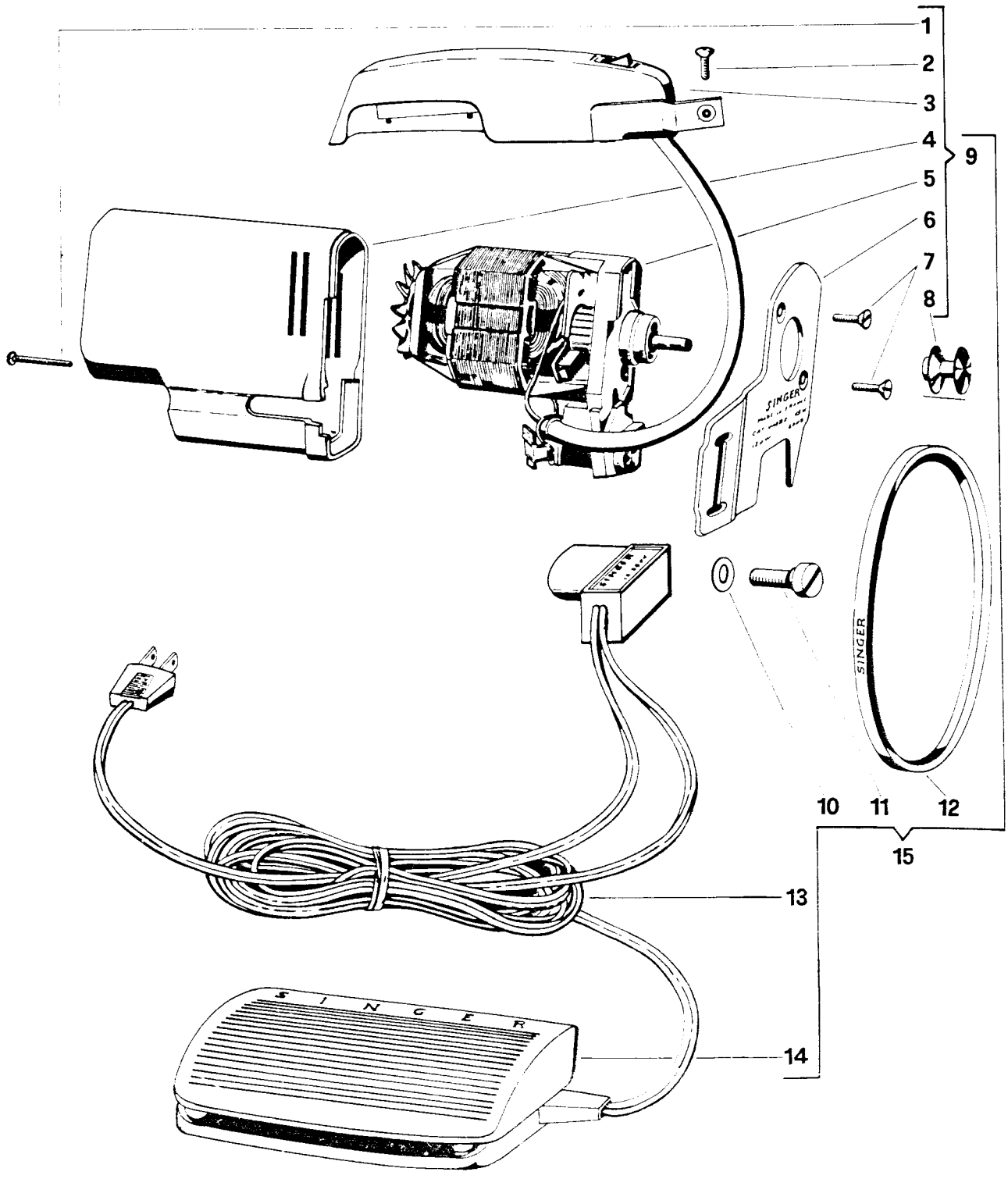
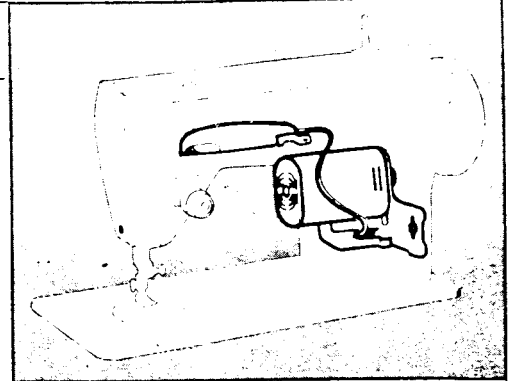
List of Parts for 258 Machine Class

Nº	Part Nº	Part Description
1	141803-830	Needle Bar Vibrating Bracket Hinge Pin (Eccentric) Set Screw
2	44371	Needle Bar Vibrating Bracket Hinge Pin (Eccentric) Retaining Ring
3	44684	Needle Bar Vibrating Bracket Hinge Pin (Eccentric)
4	37935	Needle Bar Driving Arm Hinge Bracket Hinge Pin
5	141844-819	Needle Bar Driving Arm Hinge Bracket Hinge Pin Screw
6	37934	Needle Bar Driving Arm Hinge Bracket
7	37944	Needle Bar Vibrating Bracket
8	141940-833	Needle Bar Driving Arm Hinge Bracket Hinge Pin Set Screw
9	✓ 37928	Needle Bar Ball Bushing (Upper) Adjusting Collar
10	37927	Needle Bar Ball Bushing (Upper)
11	507379	Needle Bar Ball Bushing (Upper) Socket
12	✓ 141803	Needle Bar Ball Bushing (Upper) Adjusting Collar Set Screw
13	✓ 141940	Needle Bar Vibrating Bracket Hinge Pin (Eccentric) Collar Set Screw
14	✓ 37947-901	Needle Bar Vibrating Bracket Hinge Pin (Eccentric) Collar
15	44673	Needle Bar Vibrating Bracket Hinge Pin (Eccentric) Collar Compl. 37947-901 with 141940
16	141808-892	Needle Clamp Body Needle Clamp Thread Guide & Needle Stop Screw
17	319721	Needle Clamp Thread Guide
18	37926	Needle Bar
19	319728	Needle Clamp Body
20	511171-892	Needle Thumb Screw
21	319729	Needle Clamp Compl. 319728 with 511171
22	37943	Needle Bar Gib
23	✓ 141803	Needle Bar Ball Bushing (Lower) Adjusting Screw Set Screw
24	44473	Needle Bar Ball Bushing (Lower) Adjusting Screw
25	507379	Needle Bar Ball Bushing (Lower) Socket (Lower)
26	37927	Needle Bar Ball Bushing (Lower)
27	44450	Needle Bar Ball Bushing (Lower) Socket (Upper)
28	37231	Arm Shaft (Upright) Compl. 37230-900 with 44457-900 and 319755
29	354101-819	Rotating Hook Bobbin Case Position Finger Locating Screws
30	50202-833	Rotating Hook Bobbin Case Cushion Spring Screws
31	44717	Rotating Hook Bobbin Case Cushion Spring
32	153375	Rotating Hook Bobbin Case Cushion Spring Bracket
33	141346-850	Rotating Hook Bobbin Case Cushion Spring Bracket Hinge Screw (Back)
34	44511	Rotating Hook Bobbin Case Position Finger
35	155469	Rotating Hook Bobbin Case Cushion Spring Bracket Plate
36	141345-819	Rotating Hook Bobbin Case Cushion Spring Adjusting Screw
37	155464	Rotating Hook Bobbin Case Cushion Spring Adjusting Screw Washer
38	172336	Rotating Hook Bobbin (Plastic)
39	172082-007	Rotating Hook Bobbin Case
40	172202	Rotating Hook Bobbin Case Tension Spring
41	141030-830	Rotating Hook Bobbin Case Tension Spring Screw
42	1172-806	Rotating Hook Bobbin Case Tension Regulating Screw
43	153758	Rotating Hook Bobbin Case Compl. 172082-007 with 172202-1172 and 141030
44	✓ 141803	Arm Shaft (Upright) Belt Drive Pulley Set Screw
45	✓ 37233-901	Arm Shaft (Upright) Belt Drive Pulley 37233-900 Machined
46	37234	Arm Shaft (Upright) Belt Drive Pulley (37233-901 - 141803-830)
47	44506	Rotating Hook Compl. 37978-900 with 155473-900
48	44512	Rotating Hook Washer
49	141925-833	Rotating Hook Flanged Bushing (Eccentric) Set Screw
50	319751	Rotating Hook Flanged Bushing (Eccentric)
51	✓ 37973-902	Rotating Hook Belt Drive Pulley Compl. 37972-900 with 37975-900
52	✓ 141803-900	Rotating Hook Belt Drive Set Screw
53	37974-001	Rotating Hook Belt Drive Pulley (Compl. 37973-902 with 141803-830)
54	44410	Rotating Hook Driving Belt Tension Adjuster (Eccentric) Collar
55	44409	Rotating Hook Driving Belt Tension Adjuster (Eccentric)
56	37977	Rotating Hook Driving Belt (Rubber)
57	141794-819	Rotating Hook Driving Belt Tension Adjuster (Eccentric) Screw



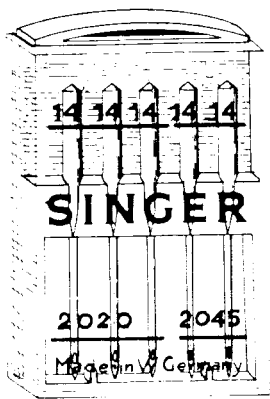
List of Parts for 253 Machine Class

Nº	Part Nº	Part Description
1	141921-850	Feed Bar Screw Centers
2	53647-819	Feed Bar Screw Center Nuts
3	44505	Feed Bar Screw Centers Compl., 141921 with 44505
4	141920-833	Feed Dog Screws
5	103188	Feed Dog
6	37280	Feed Bar
7	✓37915	Feed Rock Shaft
8	37283	Feed Forked Connection Compl., 37282-901 with 44427-900
9	44437	Feed Forked Connection Slide Block
10	37290	Feed Regulator Compl., 37289-901 with 37903-900
11	319777	Feed Regulator Return Spring
12	141830-803	Feed Regulator Control Arm Hinge Screw
13	✓37297	Feed Regulator Control Arm
14	✓37299	Feed Regulator Control Arm Mounting Bracket
15	141848	Feed Regulator Control Arm Mounting Bracket Screws
16	✓41799-850	Feed Regulator Hinge Screw
17	44438	Feed Regulator Hinge Screw Friction Washer
18	37288	Feed Lifting Rock Shaft Connecting Rod
19	37287	Feed Lifting Rock Shaft Centers
	37287	Feed Rock Shaft Centers
20	141925-833	Feed Rock Shaft Centers Set Screws
	141925-833	Feed Lifting Rock Shaft Centers Set Screws
	141925-833	Machine Hinge Connection Set Screws
21	141805-850	Feed Forked Connection Hinge Screw (Eccentric)
	141805-850	Feed Lifting Rock Shaft Connecting Rod Hinge Screw (Eccentric)
22	53648-819	Feed Forked Connection Hinge Screw (Eccentric) Nut
	53648-819	Feed Lifting Rock Shaft Connecting Rod Hinge Screw (Eccentric) Nut
23	37286	Feed Lifting Rock Shaft Compl., 37285-901 with 44428-900 and 44429
24	37909	Feed Regulator Positioning Pin Compl., 37908-900 with 37293-900
25	✓44872	Reverse Feed Cam Follower (Stud)
26	✓44465	Feed Regulator Positioning Pin
27	✓37295	Feed Regulator Cam Mounting Plate
28	37291	Feed Regulator Cam (Plastic, with Insert)
29	✓44420	Feed Regulator Cam Friction Spring
30	37906	Feed Regulator Mechanism Mounting Plate Compl.
31	141848-819	Feed Regulator Mounting Plate Screws
32	✓37300	Feed Regulator Control Dial Spring
33	✓37901-902	Feed Regulator Control Dial
34	319773	Feed Regulator Positioning Pin Knob Compression Ring
35	✓37910-900	Feed Regulator Positioning Pin Knob (Plastic) Color Code N. 408
36	44618-408	Feed Regulator Positioning Pin Knob Compl., 37910-900 with 319773
37	141844	Feed Regulator Cam Mounting Plate Screw

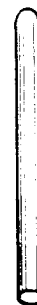
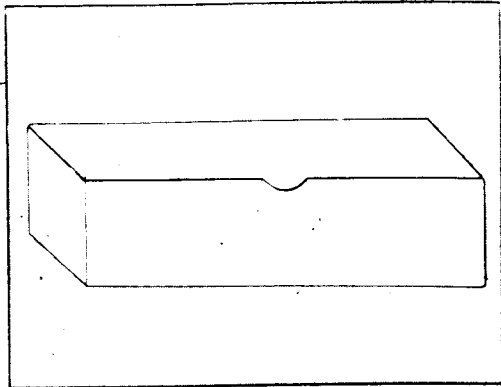


# List of Electrical Parts for 258 Machine Class

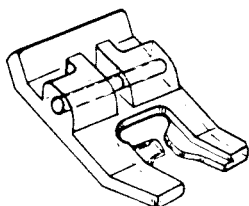
N°	Part N°	Part Description
1	✓604016-000	Dust Cover Screws
2	691	Light Mounting Screw
3	603938-001	Light L 11 (UL)
	✓603938-002	Light L 11 (STD)
4	✓604048-000	Dust Cover
5	603912-001	Module Motor WAB 2,8 UL
	604053-001	Module Motor WAB 2,8 STD
	604053-002	Module Motor WAB 2,11; 220
	✓604053-003	Module Motor WAB 2,11; 240
6	✓604015-000	Motor Mounting Bracket
7	✓614019-000	Motor Mounting Bracket Screw
8	618176-000	Motor Pulley
9	✓604043-000	Motor and Light U.S.A. 110 V.
	✓604043-004	Motor and Light - EUROPE 110/120 V.
	604043-005	Motor and Light - EUROPE 220 V.
	✓604043-006	Motor and Light - EUROPE 240 V.
10	✓604018-000	Machine Mounting Screw Washer
11	604020-001	Machine Mounting Screw
12	604136-001	V Belt
13	✓604118-000	Cords
14	✓618597	Foot Controller (whit lead) (618597-075 to 093)
15	✓604055-000	Electric System Complete



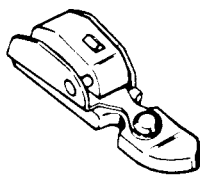
1



2



3



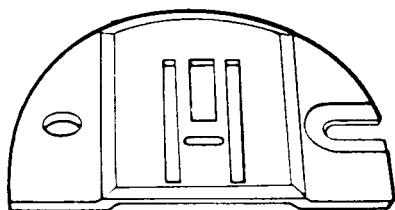
4



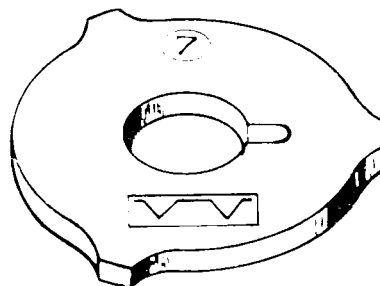
5



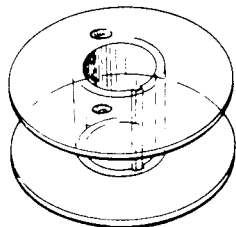
6



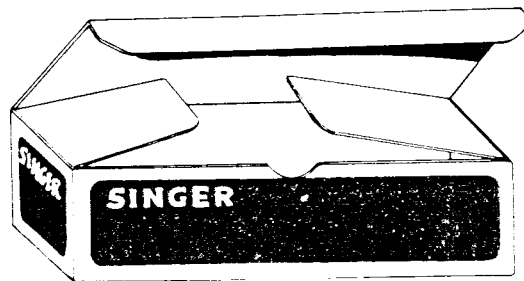
7



10



8



9



# List of Accessory Parts for 258 Machine Class

Nº	Part Nº	Part Description
1	✓103489	5 - Needle Pack (with 4 Language Label) Containing: (3) Cat. 2020 (15 x 1) Needles, Size 11, 14 and 16. (2) Cat. 2045 Needles, Size 14
2	173571	Arm Top Cover Spool Pin (Plastic)
3	171498	Presser Foot (Snap on), Special Purpose for Applique Work
4	507836	Presser Foot (Snap on), For Sewing Either on Right or Left Side of Needle, For Cording and Slide Fastener
5	161963	Blind Stitch Guide (Not Adjustable)
6	8879-408	Arm Top Cover Spool Pin Washer (Felt)
7	171285	Darning and Embroidery Throat Plate
8	✓173336	Bobbins, Transparent Plastic (3)
9	352389	Accessory Box (Carton)
<b>FASHION DISCS</b>		
10	276332	Disc No. 32 - Blindstitch (Furnished in the Machine, but Interchangeable with other Fashion Discs).
	276302	Disc No. 2 - Multistitch Zig-Zag
	276305	Disc No. 5 - Arrow head
	276308	Disc No. 8 - Solid Scallop
	276309	Disc No. 9 - Icicle
	276310	Disc No. 10 - Banner
	276312	Disc No. 12 - Walls of Troy
	276313	Disc No. 13 - Solid Diamond
	276314	Disc No. 14 - Zig-Zag Point
	276319	Disc No. 19 - Ball
	276331	Disc No. 31 - Crescent

# Recommended List of High Usage Parts for 258 Machine Class

Nº	Part Nº	Part Description
1	319738	Bobbin Winder Spindle Compl.
2	15287	Bobbin Winder Friction Ring
3	37239	Bed Slide Spring
4	✓319863	Thread Take-up Lever Compl.
5	319825	Thread Take-up Crank
6	37930	Needle Bar Connecting Stud
7	44752	Needle Bar Connecting Link
8	37281	Feed cam with screw
9	37229	Arm Shaft (Horizontal), Bevel Gear (Plastic), and Feed Lifting Eccentric, with Screw
10	155964	Presser Foot Shank
11	155962	Presser Foot Plate Compl. (Snap-on)
12	153267	Presser Foot Plate Compl. (Snap-on)
13	37937	Needle Bar Driving Arm Slide
14	37257	Disc Driving Gear Complete
15	44419	Disc Follower Position Spring
16	37262	Disc Follower
17	37942	Needle Bar Driving Arm Tension Spring
18	66774	Thread Take-up Spring
19	511171	Needle Thumb Screw
20	37231	Arm Shaft (Upright), Complete, with Plastic Gear
21	44506	Rotating Hook
22	✓53758	Rotating Hook Bobbin Case Compl.
23	37977	Rotating Hook Driving Belt
24	319729	Needle Clamp Complete