

**SINGER**  
242,247,248

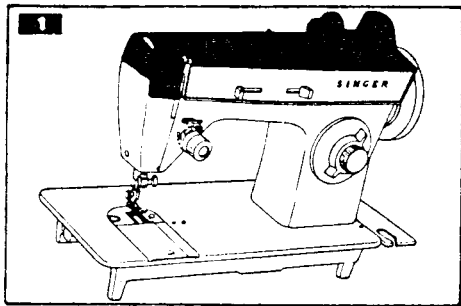
**LIST OF PARTS  
FOR**

**SINGER<sup>\*</sup>  
SEWING MACHINES**

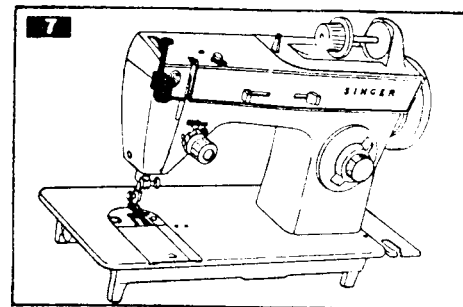
**240 SERIES**

\*A Trademark of THE SINGER COMPANY

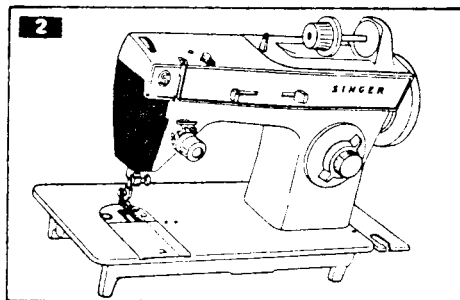
CONTENTS



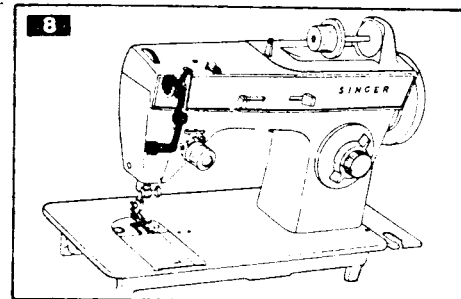
PAGES 3-4



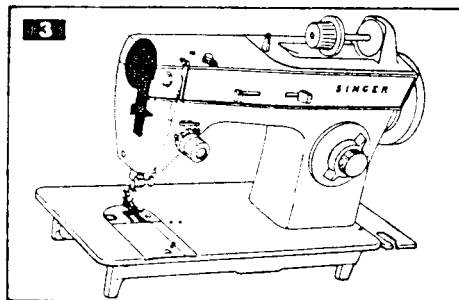
PAGES 7-8



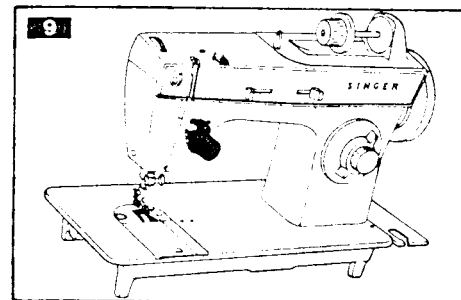
PAGES 3-4



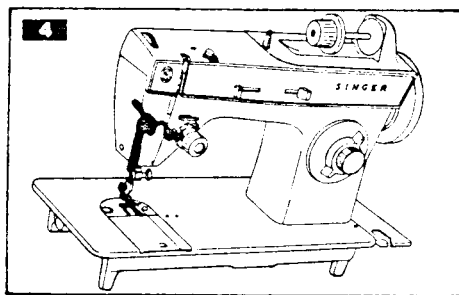
PAGES 7-8



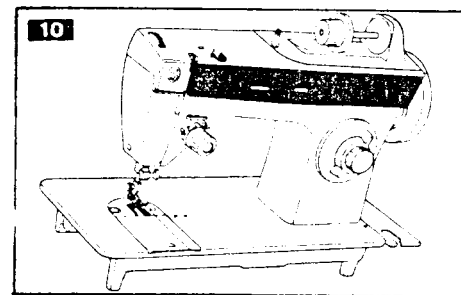
PAGES 5-6



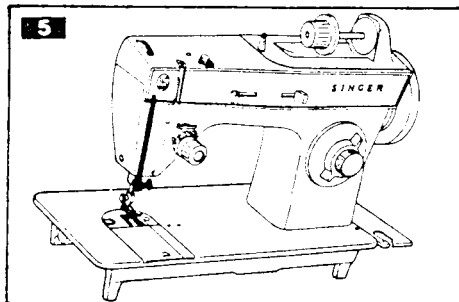
PAGES 9-10



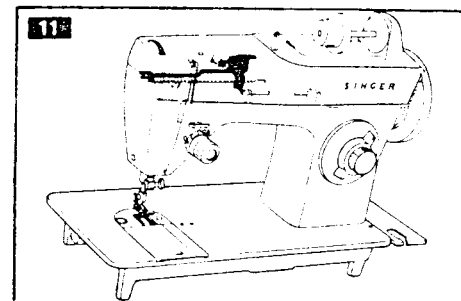
PAGES 5-6



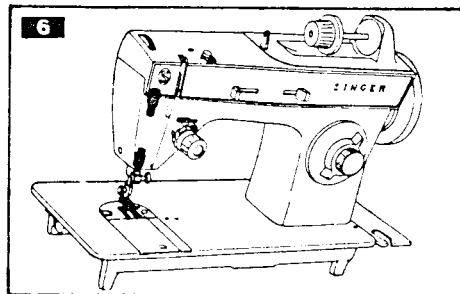
PAGES 9-10



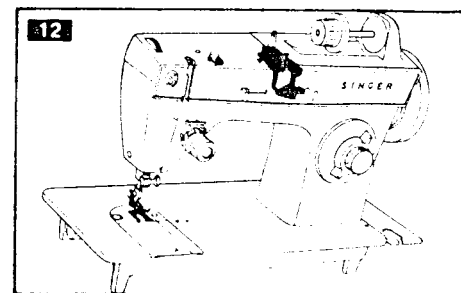
PAGES 5-6



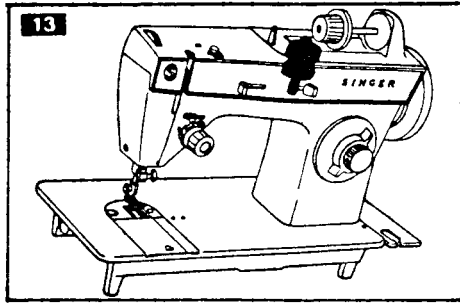
PAGES 11-12



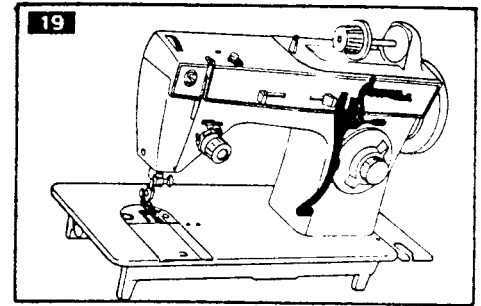
PAGES 7-8



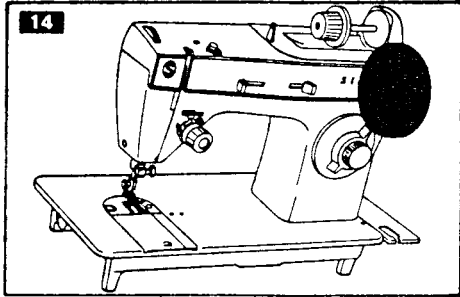
PAGES 13-14



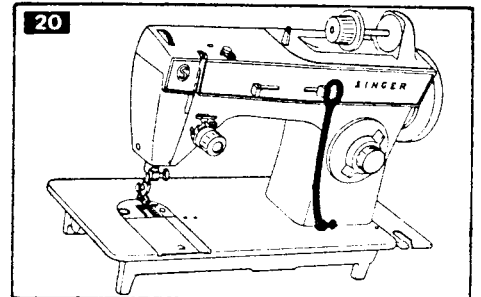
PAGES 15-16



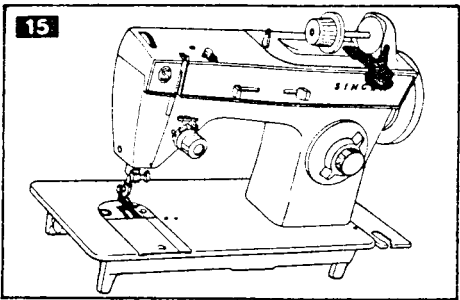
PAGES 21-22



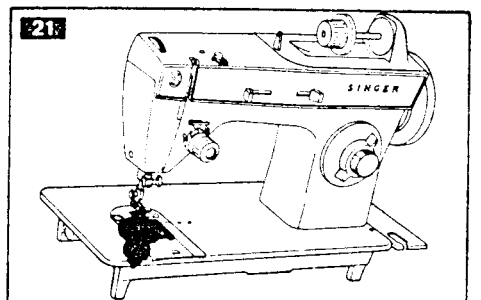
PAGES 15-16



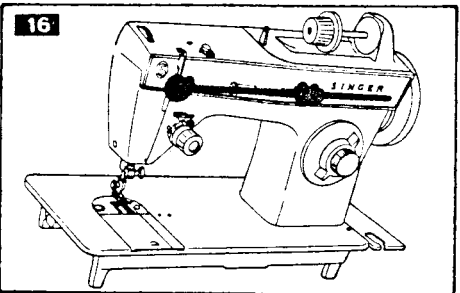
PAGES 21-22



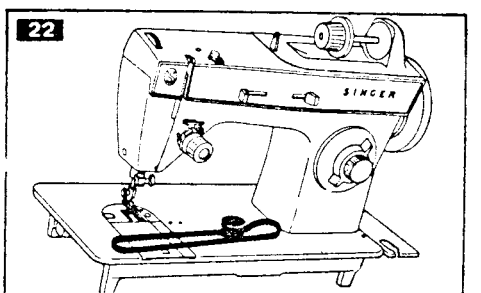
PAGES 17-18



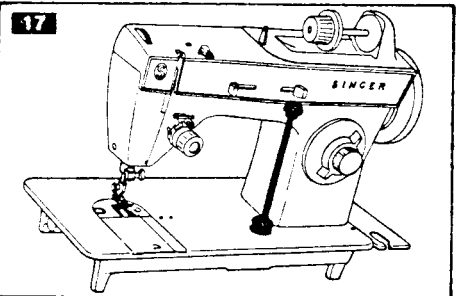
PAGES 23-24



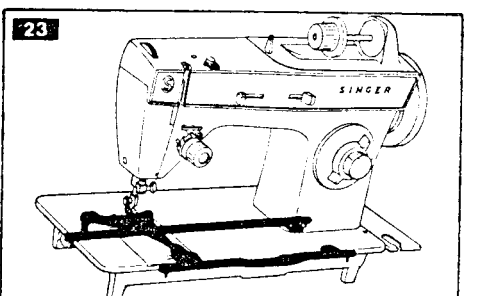
PAGES 17-18



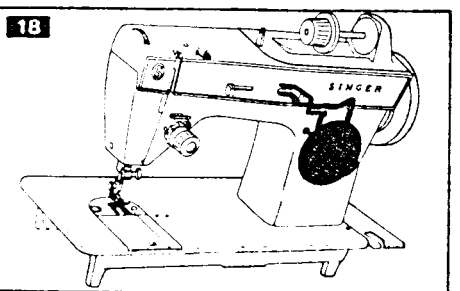
PAGES 23-24



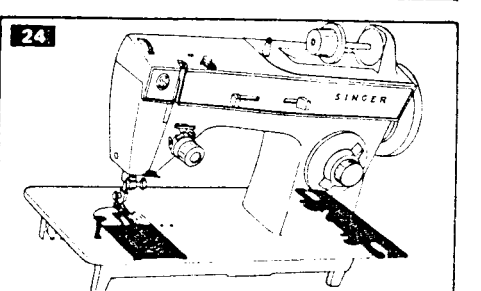
PAGES 17-18



PAGES 25-26

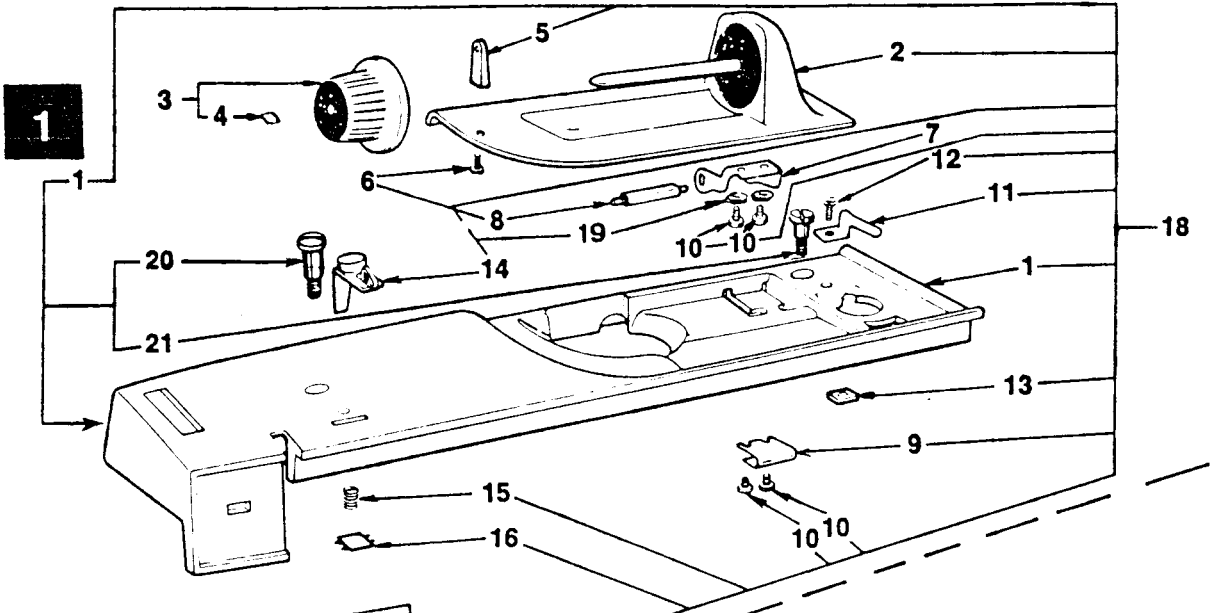


PAGES 19-20



PAGES 25-26

1

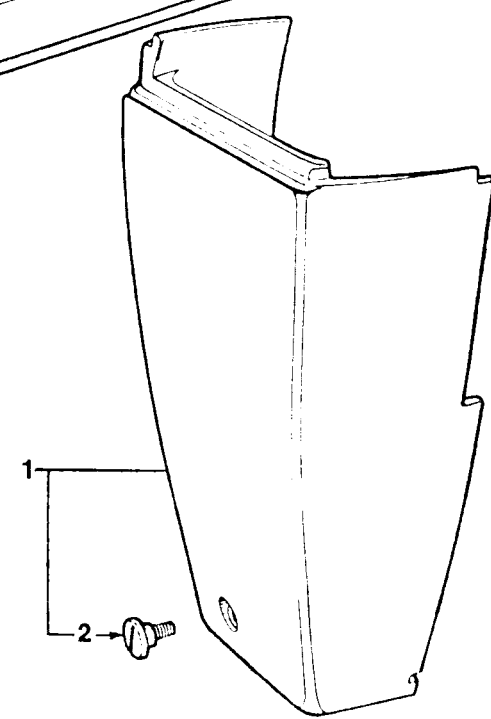


S

248

242

2



**1**

**ARM TOP COVER**

Reference Number	Part Number	Application			Description
		242	247	248	
1	319698-454			x	ARM TOP COVER WITH SCREWS
	44674-457	x			ARM TOP COVER WITH SCREWS (FOR L. A. REGION)
	44674-454	x			ARM TOP COVER WITH SCREWS
	445186-451		x		ARM TOP COVER WITH SCREWS
2	44632-453			x	ARM TOP COVER LID
3	163149-783			x	ARM TOP COVER LID SPOOL PIN LEAD OFF
4	163150			x	ARM TOP COVER LID SPOOL PIN LEAD OFF SPRING CLIP
5	44537-783			x	ARM TOP COVER LID THREAD GUIDE
6	139862-809			x	ARM TOP COVER LID THREAD GUIDE SCREW
7	44640			x	ARM TOP COVER LID HINGE
8	44641			x	ARM TOP COVER LID HINGE PIN
9	44642			x	ARM TOP COVER LID HINGE SPRING
10	354592-451			x	ARM TOP COVER LID HINGE SCREW
11	44648			x	BOBBIN WINDER STOP
	444746	x	x		BOBBIN WINDER STOP
12	141808-451	x	x	x	BOBBIN WINDER STOP SCREW
13	53640-819	x	x	x	BOBBIN WINDER STOP SCREW NUT
14	44368	x	x	x	BOBBIN WINDER TENSION & THREAD GUIDE
15	141936-833	x	x	x	BOBBIN WINDER TENSION BRACKET ADJ. SCREW
16	44794	x	x	x	BOBBIN WINDER TENSION BRACKET ADJ. SCREW RET. CLIP
17	44903			x	MEDALLION COMPLETE — SOLID COLOR
	445107-451			x	MEDALLION COMPLETE — FLORAL PATTERN
	44902-454	x			MEDALLION COMPLETE
	44902-457	x			MEDALLION COMPLETE — (FOR L.A. REGION)
	44902-456		x		MEDALLION COMPLETE
18	44655-783			x	ARM TOP COVER — COMPLETE
	445122-451			x	ARM TOP COVER — COMPLETE — FLORAL PATTERN
	44662-454	x			ARM TOP COVER — COMPLETE
	44662-457	x			ARM TOP COVER — COMPLETE — (FOR L.A. REGION)
	445187-451		x		ARM TOP COVER — COMPLETE
19	445157			x	ARM TOP COVER LID SCREW LOCK WASHERS
20	354546-452	x	x	x	ARM TOP COVER SCREW — LEFT
21	354544-452			x	ARM TOP COVER SCREW — RIGHT
	354545-452	x	x		ARM TOP COVER SCREW — RIGHT

**2**

**FACE PLATE**

Reference Number	Part Number	Application			Discription
		242	247	248	
1	319697-453			x	FACE PLATE WITH SCREW
	319697-408	x			FACE PLATE WITH SCREW
	319697-677	x	x		FACE PLATE WITH SCREW
2	354544-452	x	x	x	FACE PLATE SCREW

3

## PRESSER BAR PRESSURE REGULATOR.

Reference Number	Part Number	Application			Description
		242	247	248	
1	445225-451			x	PRESSURE REGULATOR KNOB
	445225-453	x			PRESSURE REGULATOR KNOB
	445225-457		x		PRESSURE REGULATOR KNOB
	445225-462	x			PRESSURE REGULATOR KNOB (FOR L.A. REGION)
2	141941-451	x	x	x	PRESSURE REGULATOR KNOB SCREW
3	445228	x	x	x	PRESSURE REGULATOR KNOB BRACKET
4	446741	x	x	x	PRESSER BAR SPRING ADJ. BRACKET
5	354552-451	x	x	x	PRESSER BAR SPRING ADJ. BRACKET SCREW
6	44467				CANCELLED
7	37969	x	x	x	PRESSER BAR SPRING ADJ. BRACKET WASHER
8	141844-819	x	x	x	PRESSER BAR PRESSURE REG KNOB BRACKET SCREW
9	604089-001				CANCELLED
10	53640-819				CANCELLED

4

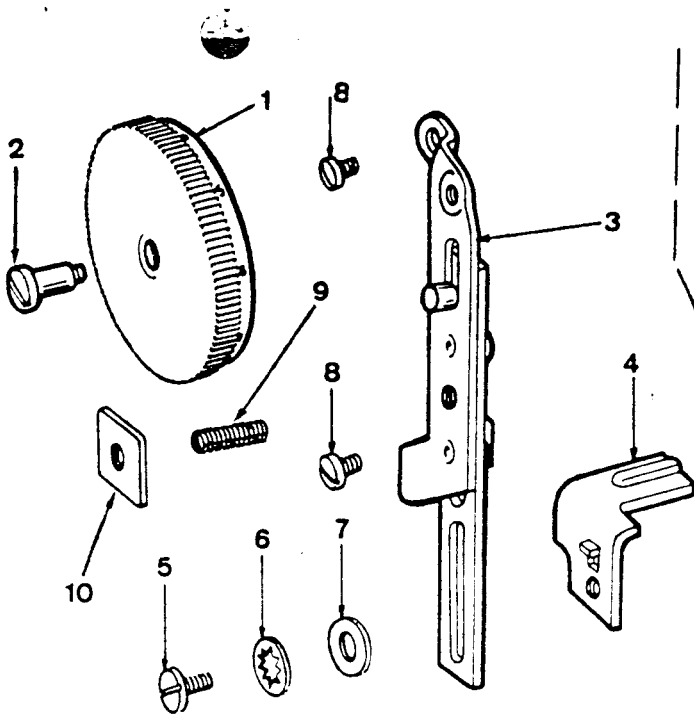
## PRESSER BAR

Reference Number	Part Number	Application			Description
		242	247	248	
1	445291	x	x	x	PRESSER BAR GUIDE BRACKET
2	141925-833	x	x	x	PRESSER BAR GUIDE BRACKET SET SCREW
3	37959				CANCELLED
4	444803	x	x	x	PRESSER BAR SPRING
5	446740	x	x	x	PRESSER BAR
6	37958	x	x	x	PRESSER BAR BUSHING
7	141803-833	x	x	x	PRESSER BAR BUSHING SET SCREW
8	354135-451	x	x	x	PRESSER FOOT THUMB SCREW
9	44445	x	x	x	PRESSER BAR LIFTER
10	141846-850	x	x	x	PRESSER BAR LIFTER HINGE SCREW
11	37985	x	x	x	TENSION RELEASING LEVER
12	354543-451	x	x	x	TENSION RELEASING LEVER HINGE SCREW

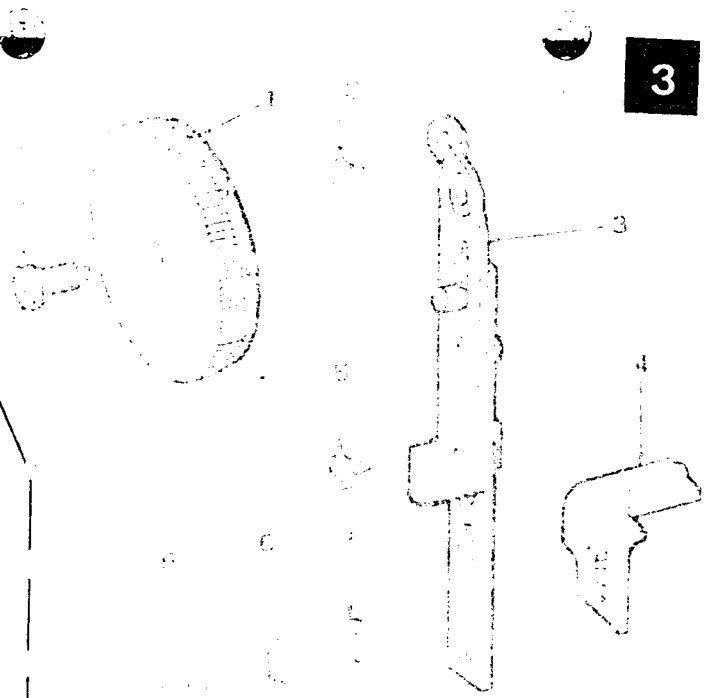
5

## NEEDLE BAR

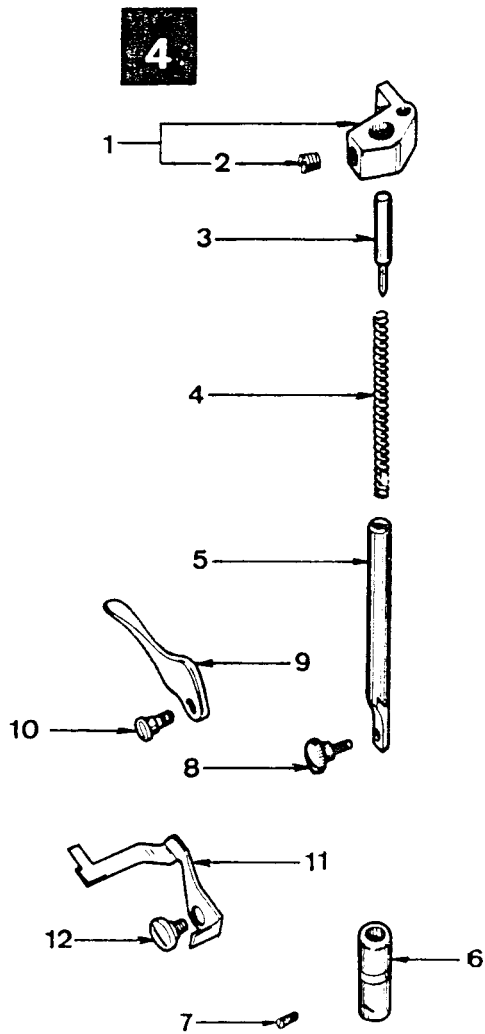
Reference Number	Part Number	Application			Description
		242	247	248	
1	37926	x	x	x	NEEDLE BAR
2	37943	x	x	x	NEEDLE BAR GIB
3	37950	x	x	x	NEEDLE CLAMP BODY
4	141942-851	x	x	x	NEEDLE THUMB SCREW
5	319721	x	x	x	NEEDLE CLAMP THREAD GUIDE
6	141808-451	x	x	x	NEEDLE CLAMP THREAD GUIDE AND NEEDLE STOP SCREW



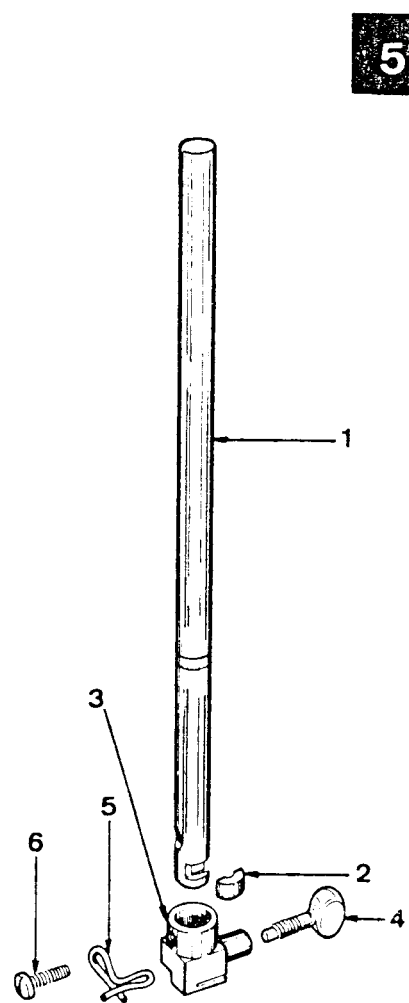
248



242

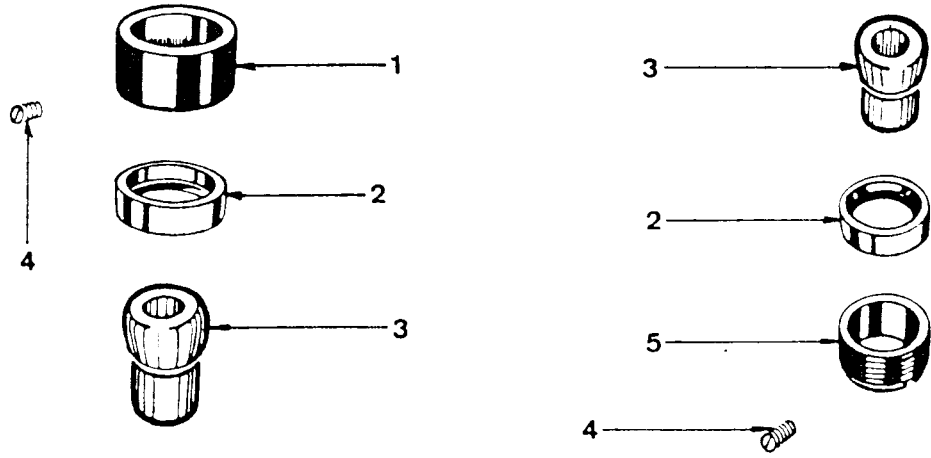


6

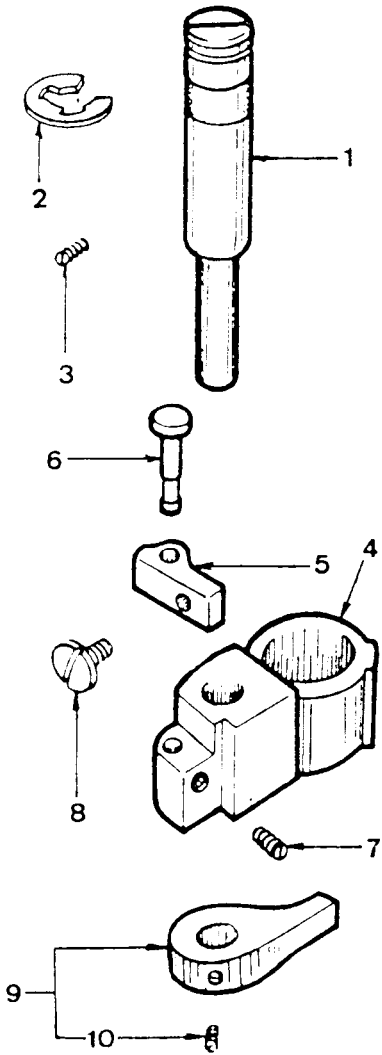




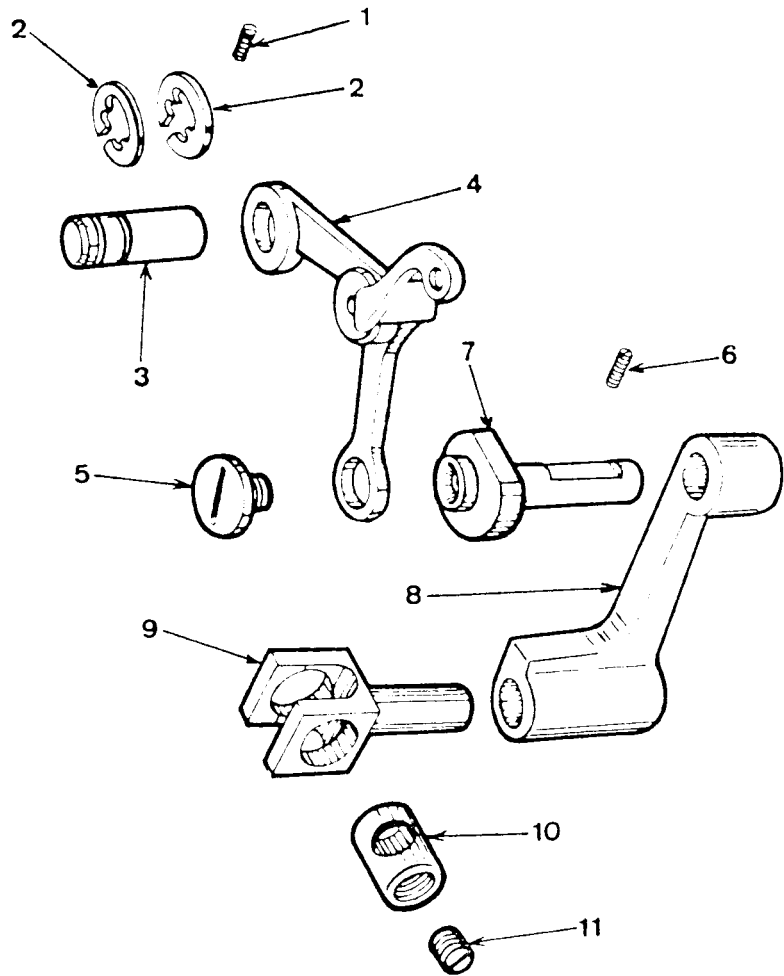
6



7



8



**6****NEEDLE BAR BUSHING**

Reference Number	Part Number	Application			Description
		242	247	248	
1	37928	x	x	x	NEEDLE BAR BUSHING (UPPER) ADJ. COLLAR
2	507379	x	x	x	NEEDLE BAR BUSHING SOCKET
3	37927	x	x	x	NEEDLE BAR BALL BUSHING
4	141803-830	x	x	x	NEEDLE BAR BUSHING ADJ. SCREW SET SCREW
5	44473	x	x	x	NEEDLE BAR BUSHING (LOWER) ADJ. SCREW

**7****NEEDLE BAR VIBRATING BRACKET**

Reference Number	Part Number	Application			Description
		242	247	248	
1	445124	x	x	x	NEEDLE BAR VIBR. BRACKET HINGE PIN ECCENTRIC
2	44371	x			CANCELLED
3	141918-833	x	x	x	HINGE PIN SET SCREW
4	37944	x	x	x	NEEDLE BAR VIBRATING BRACKET
5	37934	x	x	x	NEEDLE BAR DRIVING ARM HINGE BRACKET
6	37935	x	x	x	N.B. DRIVING ARM HINGE BRACKET HINGE PIN
7	141940-833	x	x	x	HINGE PIN SET SCREW
8	141844-819	x	x	x	NEEDLE B. DRIVING ARM HINGE BRACKET SCREW
9	444802	x	x	x	NEEDLE BAR VIBRATING BRACKET HINGE PIN COLLAR
10	141913-451	x	x	x	COLLAR SET SCREW

**8****THREAD TAKE-UP AND NEEDLE BAR CONNECTING LINK**

Reference Number	Part Number	Application			Description
		242	247	248	
1	141803-833	x	x	x	THREAD TAKE-UP LEVER LINK HINGE STUD SET SCREW
2	44472	x	x	x	RETAINING RING
3	44421	x	x	x	THREAD TAKE-UP LEVER LINK HINGE STUD
4	44810	x	x	x	THREAD TAKE-UP LEVER
5	141809-451	x	x	x	THREAD TAKE-UP LEVER CAP SCREW
6	354105-833	x	x	x	THREAD TAKE-UP LEVER CRANK SET SCREW
7	37991	x	x	x	THREAD TAKE-UP CRANK
8	445224	x	x	x	NEEDLE BAR CONNECTING LINK
	44719	x	x	x	NEEDLE BAR CONNECTING LINK (ALTERNATE)
9	37930	x	x	x	NEEDLE BAR CONNECTING STUD
10	37931	x	x	x	NEEDLE BAR CONNECTING STUD HINGE PIN
11	141916-833	x	x	x	NEEDLE BAR CLAMPING SCREW

9

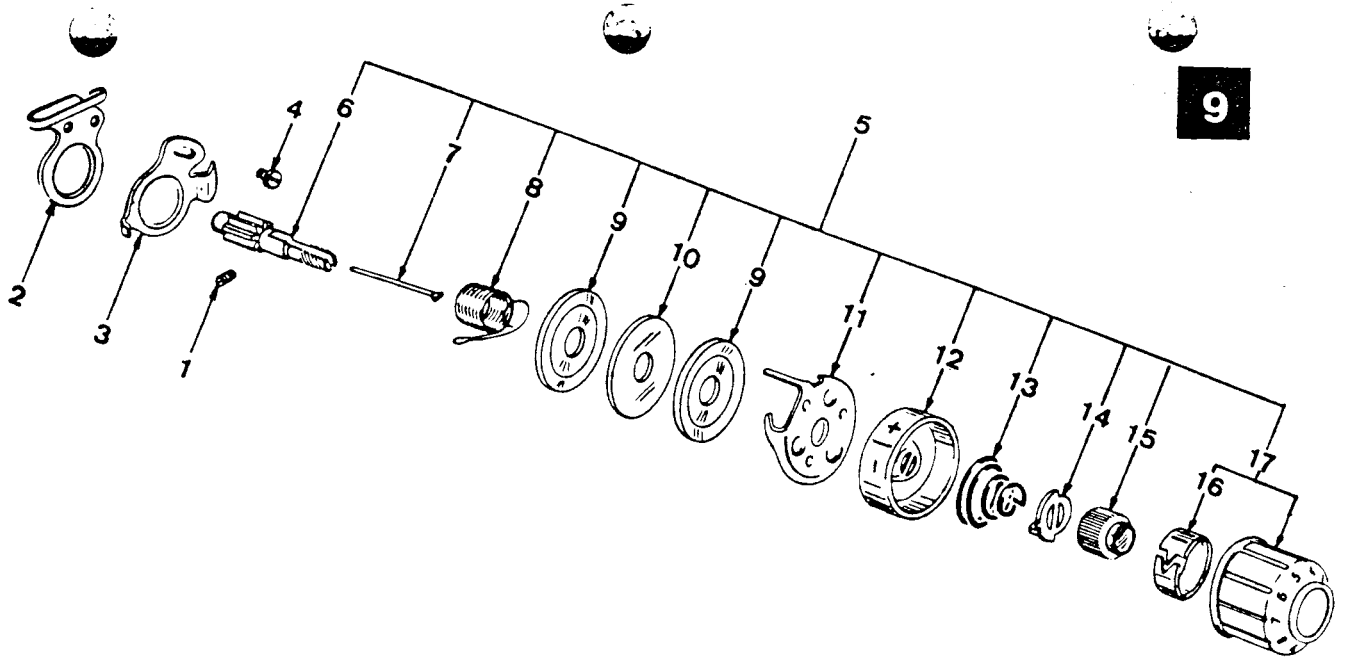
## THREAD TENSION MECHANISM

Reference Number	Part Number	Application			Description
		242	247	248	
1	141938-830	x	x	x	TENSION STUD SET SCREW
2	37990	x	x	x	THREAD GUIDE (UPPER)
3	44392	x	x	x	SLACK THREAD REGULATOR & TENSION THREAD GUIDE
4	141808-451	x	x	x	SLACK THREAD REGULATOR & TENSION THREAD GUIDE SCREW
5	44635-458			x	TENSION (GRADUATED, ADJUSTABLE) COMPLETE
	44635-462	x			TENSION (GRADUATED, ADJUSTABLE) COMPLETE (FOR L.A. REGION)
	44635-453	x			TENSION (GRADUATED, ADJUSTABLE)
	44635-460		x		TENSION (GRADUATED, ADJUSTABLE)
6	44454	x	x	x	TENSION STUD
7	44634	x	x	x	TENSION RELEASING PIN
8	66774-002	x	x	x	THREAD TAKE-UP SPRING
9	2102	x	x	x	TENSION DISC
10	44633	x	x	x	TENSION MIDDLE DISC
11	45343	x	x	x	TENSION THREAD GUIDE
12	44879-458			x	TENSION SPRING CUP
	44879-463	x			TENSION SPRING CUP (FOR L.A. REGION)
	44879-453	x			TENSION SPRING CUP
	44879-461		x		TENSION SPRING CUP
13	125314	x	x	x	TENSION SPRING
14	37984	x	x	x	TENSION INDICATOR STOP WASHER
15	507405	x	x	x	TENSION INDICATOR ADAPTOR
16	507406				CANCELLED
17	445054-005	x			TENSION INDICATOR
	445054-015	x			TENSION INDICATOR (FOR L.A. REGION)
	445054-008			x	TENSION INDICATOR
	445054-012		x		TENSION INDICATOR

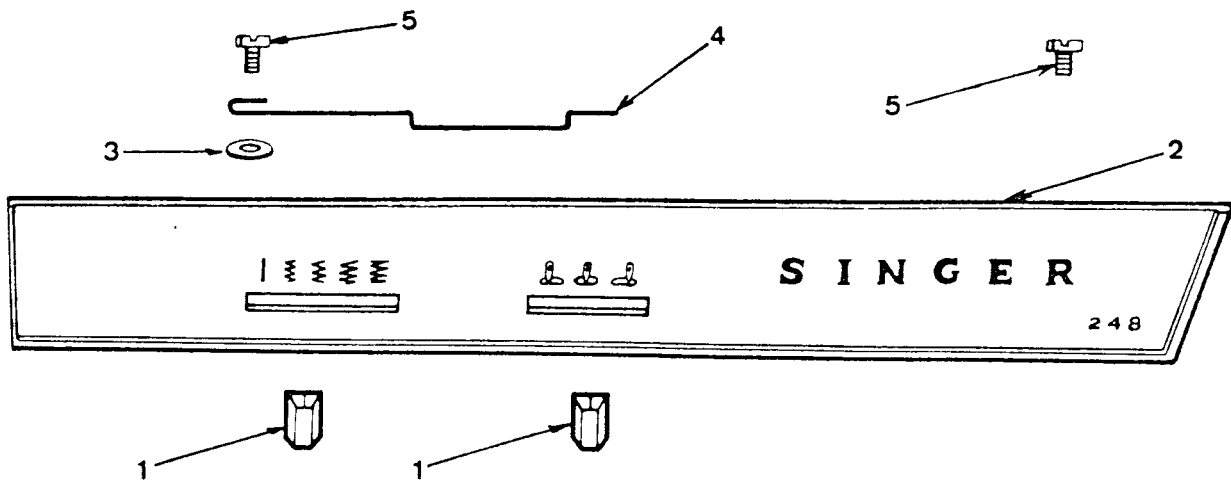
10

## CONTROL PANEL

Reference Number	Part Number	Application			Description
		242	247	248	
1	444896-455			x	BIGHT AMPLITUDE & NEEDLE POSITION LEVER KNOB
	444896-454		x		BIGHT AMPLITUDE & NEEDLE POSITION LEVER KNOB
	444896-452	x			BIGHT AMPLITUDE, NEEDLE POSITION AND DISC SELECTOR LEVER KNOB
	444896-454	x			BIGHT AMPLITUDE, NEEDLE POSITION AND DISC SELECTOR LEVER KNOB
2	44906			x	CONTROL PANEL — SOLID COLOR
	445121-451			x	CONTROL PANEL — FLORAL PATTERN
3	37969			x	CONTROL PANEL SCREW WASHER
4	44589			x	DISC FOLLOWER SPRING
5	354552-451			x	CONTROL PANEL & DISC FOLLOWER SPRING SCREW

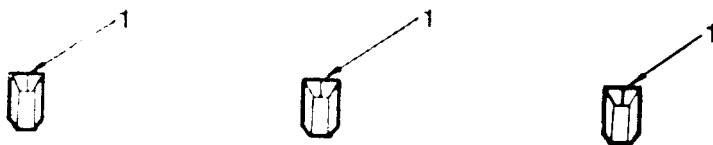


9



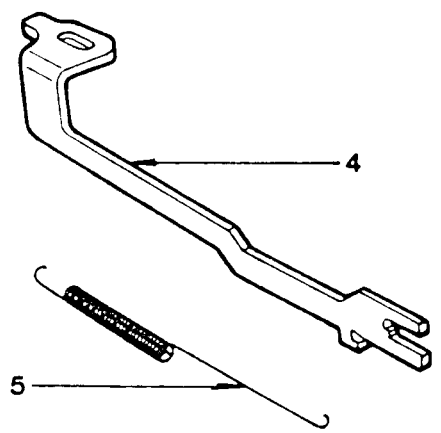
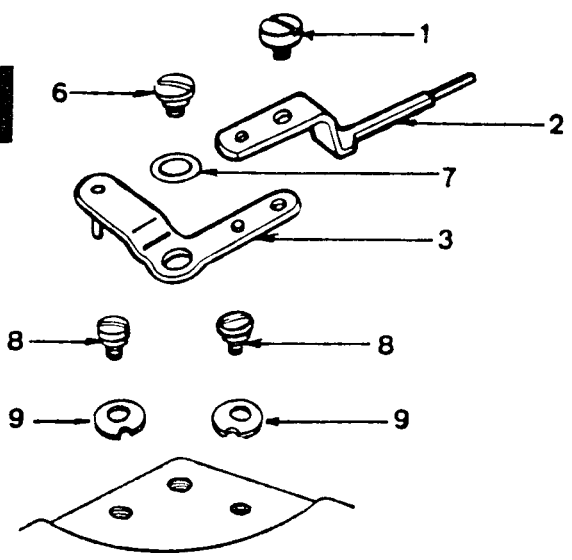
10

248

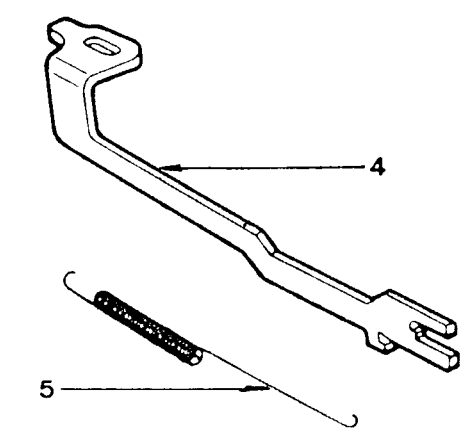
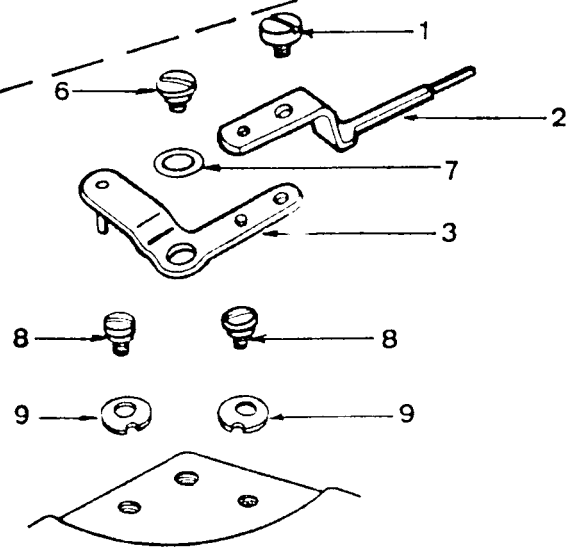


242

11



248



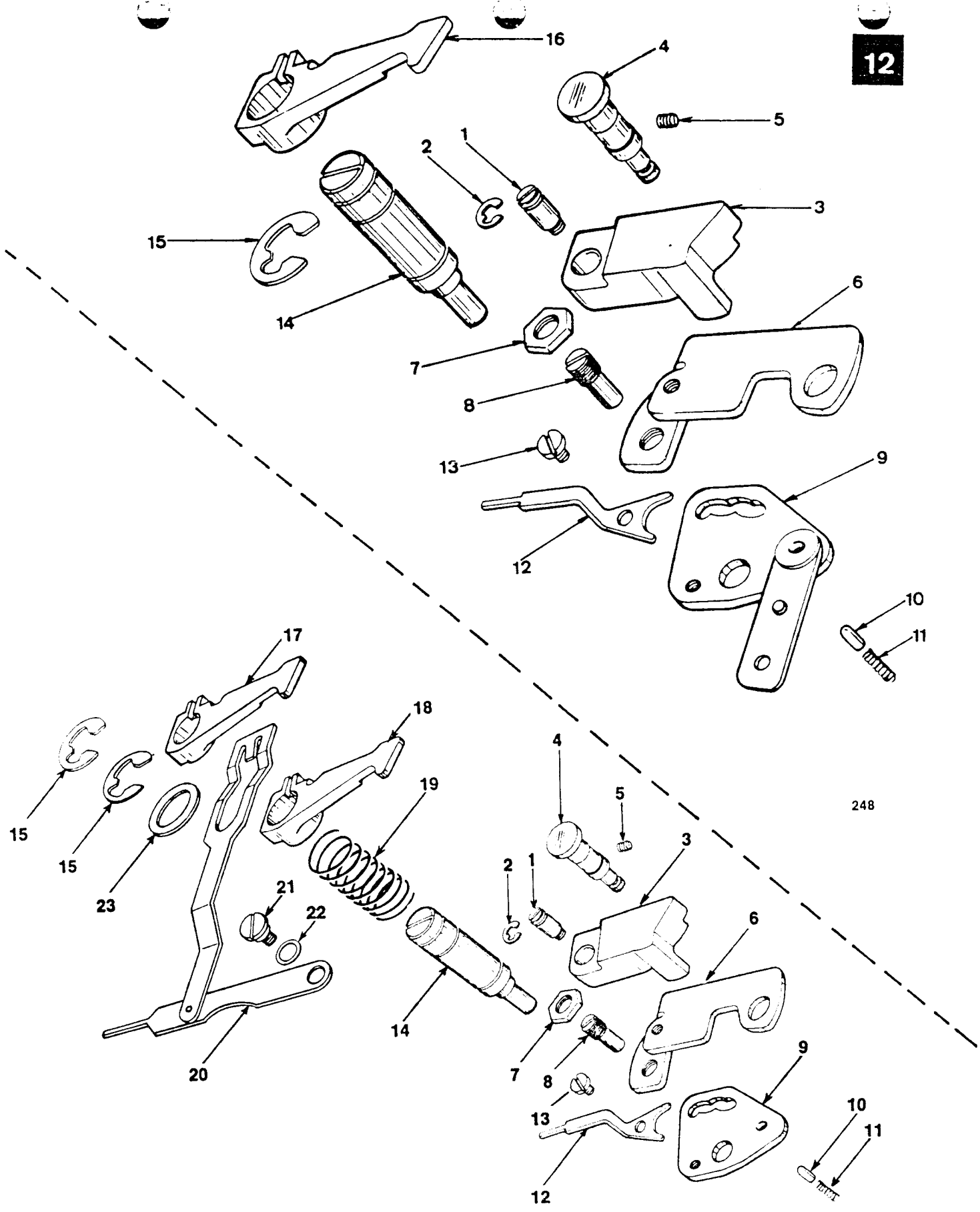
242 / 247

BIGHT AMPLITUDE CONTROL

Reference Number	Part Number	Application			Description
		242	247	248	
1	139866-451			x	BIGHT AMPLITUDE CONTROL LEVER SCREW
	141913-451	x	x		BIGHT AMPLITUDE CONTROL LEVER SCREW
2	444893	x	x	x	BIGHT AMPLITUDE CONTROL LEVER
3	37246	x	x	x	BIGHT AMPLITUDE CONTROL LEVER LINK
4	37933	x	x	x	NEEDLE BAR DRIVING ARM
5	37942	x	x	x	NEEDLE BAR DRIVING ARM TENSION SPRING
6	354543-451	x	x	x	BIGHT AMPLITUDE CONTROL LEVER LINK
					HINGE SCREW
7	444938	x	x	x	HINGE SCREW FRICTION WASHER
8	141913-451	x	x	x	BIGHT AMPLITUDE CONTROL LEVER LINK
					STOP SCREW
9	446904	x	x	x	BIGHT AMPLITUDE CONTROL LEVER LINK
					STOP

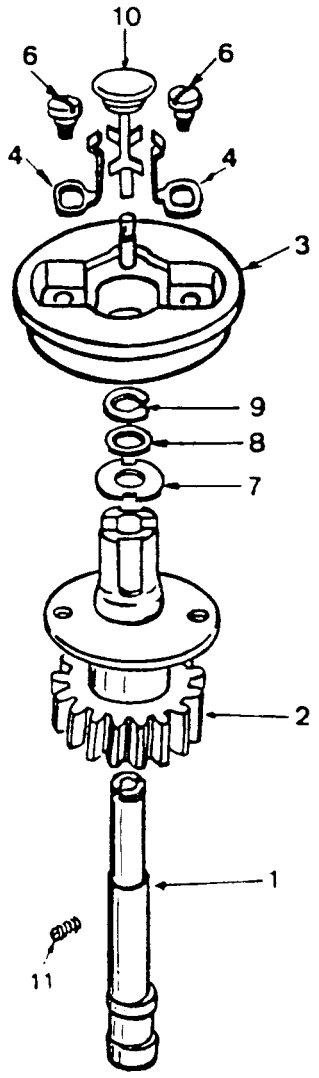
ZIG-ZAG MECHANISM — NEEDLE POSITION —  
 DISC FOLLOWER — DISC SELECTOR

Reference Number	Part Number	Application			Description
		242	247	248	
1	141791-803	x	x	x	NEEDLE BAR DRIVING ARM SLIDE SCREW STUD
2	44477	x	x	x	RETAINING RING
3	44625	x	x	x	NEEDLE BAR DRIVING ARM SLIDE
4	37941	x	x	x	NEEDLE BAR DRIVING ARM SLIDE BRACKET HINGE STUD
5	141803-830	x	x	x	SET SCREW
6	37939	x	x	x	NEEDLE BAR DRIVING ARM SLIDE BRACKET
7	53641-819	x	x	x	N.P. SELECTOR LEVER BRACKET FOLLOWER SCREW STUD NUT
8	445347	x	x	x	N.P. SELECTOR LEVER BRACKET FOLLOWER SCREW STUD ECCENTRIC
9	44628			x	NEEDLE POSITION SELECTOR LEVER COMPLETE
	37952	x	x		NEEDLE POSITION SELECTOR LEVER
10	319690	x	x	x	N.P. SELECTOR LEVER BRACKET POSITIONING PIN
11	444800	x	x	x	POSITIONING PIN SPRING
12	444895	x	x	x	NEEDLE POSITION SELECTOR LEVER
13	141913-451	x	x	x	NEEDLE POSITION SELECTOR LEVER SCREW
14	44686	x	x	x	DISC FOLLOWER STUD
15	44371	x	x	x	DISC FOLLOWER RETAINING RING
16	444898		x	x	DISC FOLLOWER
17	44884	x			DISC FOLLOWER UPPER
18	444898	x			DISC FOLLOWER LOWER
19	44886	x	x		DISC FOLLOWER SPRING
20	44885	x			DISC SELECTOR LEVER
21	354543-451	x			DISC SELECTOR LEVER HINGE SCREW
22	49204	x			DISC SELECTOR LEVER FRICTION SPRING
23	445188		x		DISC FOLLOWER SPACER

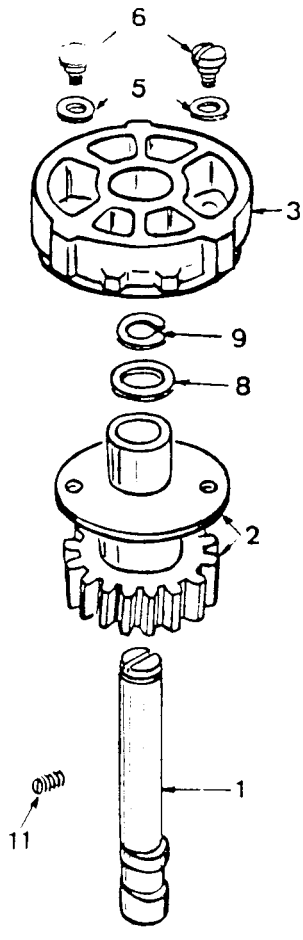




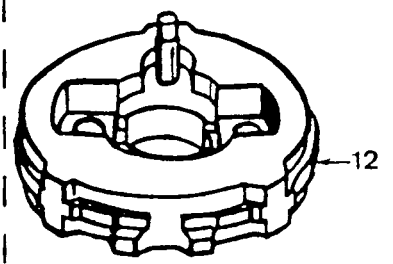
13



248

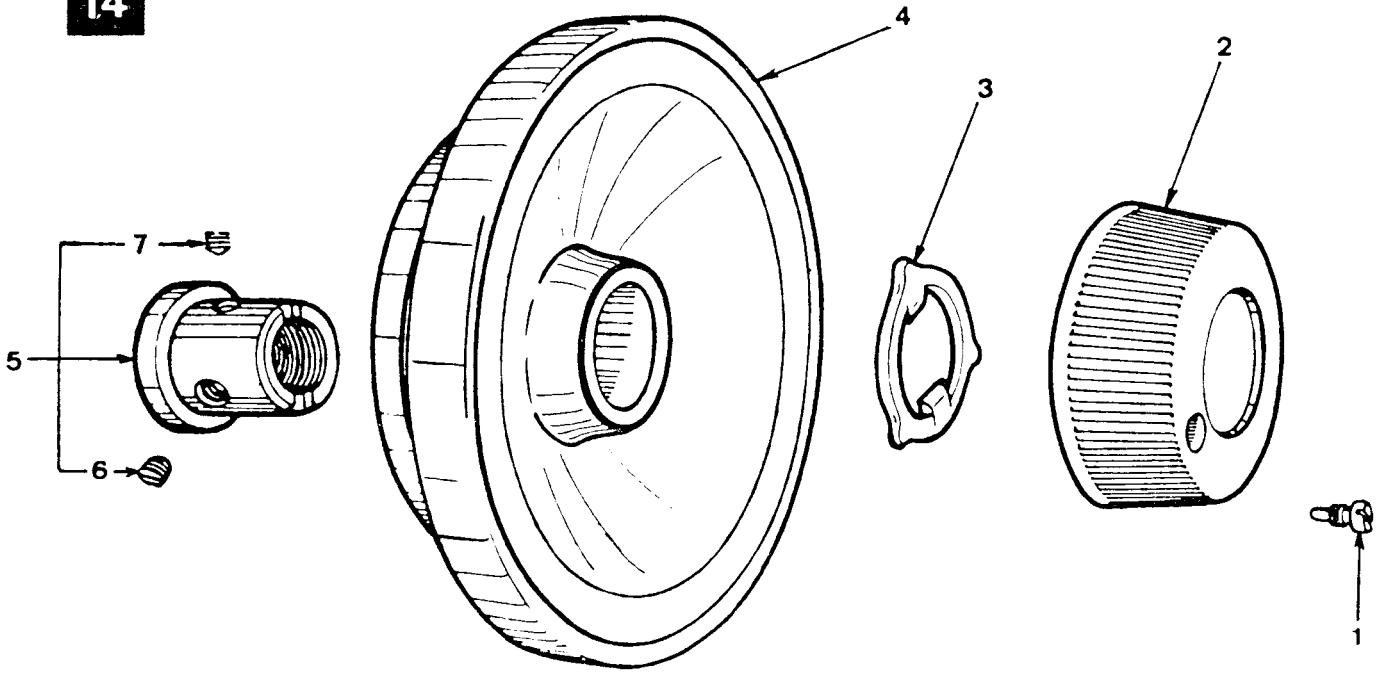


242



247

14



13

DISC DRIVING MECHANISM

Reference Number	Part Number	Application			Description
		242	247	248	
1	444899			x	DISC DRIVING GEAR SHAFT
	444922	x	x		DISC DRIVING GEAR SHAFT
2	444911			x	DISC DRIVING GEAR
	444918	x	x		DISC DRIVING GEAR
3	444916			x	DISC POSITION ADJUSTING SPACER
	444924	x			CAM STACK
4	444908			x	DISC RETAINING SPRING
5	444925	x	x		CAM STAC. SCREW WASHER
6	139928-819	x	x	x	DISC POSIT. ADJ. SPACER SCREW
7	444903			x	DISC RELEASING BRKT. RETAINING WASHER
8	444900			x	DISC DRIVING GEAR SHAFT WASHER
	444923	x	x		DISC DRIVING GEAR SHAFT WASHER
9	153475			x	RETAINING RING
	444921	x	x		RETAINING RING
10	444906			x	DISC RELEASING BRACKET
11	141938-819	x	x	x	DISC DRIVING GEAR SHAFT SET SCREW
12	444909		x		DISC STACK

14

HAND WHEEL AND CLAMP STOP MOTION

Reference Number	Part Number	Application			Description
		242	247	248	
1	141914-851	x	x	x	CLAMP STOP MOTION CLAMP STOP SCREW
2	44468-677	x	x		CLAMP STOP MOTION CLAMP SCREW
	44468-783			x	CLAMP STOP MOTION CLAMP SCREW
	44468-408	x			CLAMP STOP MOTION CLAMP SCREW
3	44464	x	x	x	CLAMP STOP MOTION CLAMP WASHER
4	44463-677	x	x		HAND WHEEL
	44463-783			x	HAND WHEEL
	44463-408	x			HAND WHEEL
5	44679	x	x	x	CLAMP STOP MOTION FLANGED BUSHING
6	141916-833	x	x	x	BUSHING SET SCREW
7	141915-833	x	x	x	BUSHING POSITION SCREW

**15****BOBBIN WINDER MECHANISM**

Reference Number	Part Number	Application			Description
		242	247	248	
1	44649			x	BOBBIN WINDER COMPLETE
	44369	x	x		BOBBIN WINDER COMPLETE
2	354547-451	x	x	x	BOBBIN WINDER HINGE SCREW
3	352026	x	x	x	BOBBIN WINDER HINGE SCREW FRICTION WASHER
4	15287-701	x	x	x	BOBBIN WINDER FRICTION RING (RUBBER)

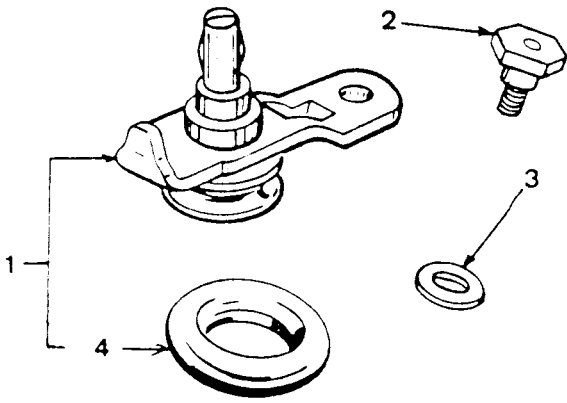
**16****ARM SHAFT (HORIZONTAL)**

Reference Number	Part Number	Application			Description
		242	247	248	
1	445153	x	x	x	ARM SHAFT (HORIZONTAL) WITH NEEDLE BAR CRANK
2	319695	x	x	x	ARM SHAFT (HORIZONTAL) BEVEL GEAR
	445288	x	x	x	ARM SHAFT (HORIZONTAL) BEVEL GEAR (ALTERNATE)
3	37284-001	x	x	x	FEED FORKED CONNECTION RETAINING WASHER
4	319696	x	x	x	FEED CAM
5	354082-833	x	x	x	SET SCREW

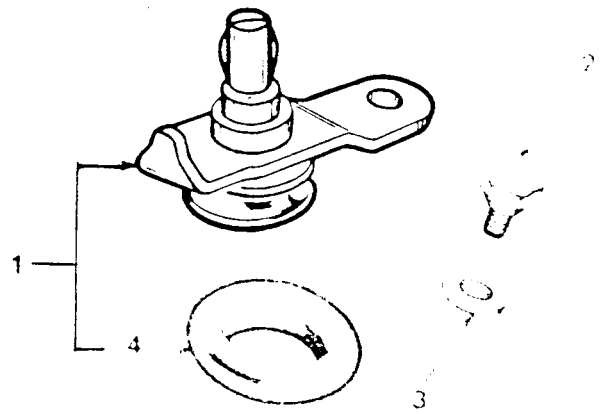
**17****ARM SHAFT (UPRIGHT)**

Reference Number	Part Number	Application			Description
		242	247	248	
1	37231	x	x	x	ARM SHAFT (UPRIGHT)
2	37234	x	x	x	ARM SHAFT (UPRIGHT) BELT DRIVE PULLEY
	44714	x	x	x	ARM SHAFT (UPRIGHT) BELT DRIVE PULLEY (ALTERNATE)
3	141938-833	x	x	x	PULLEY SET SCREW

15

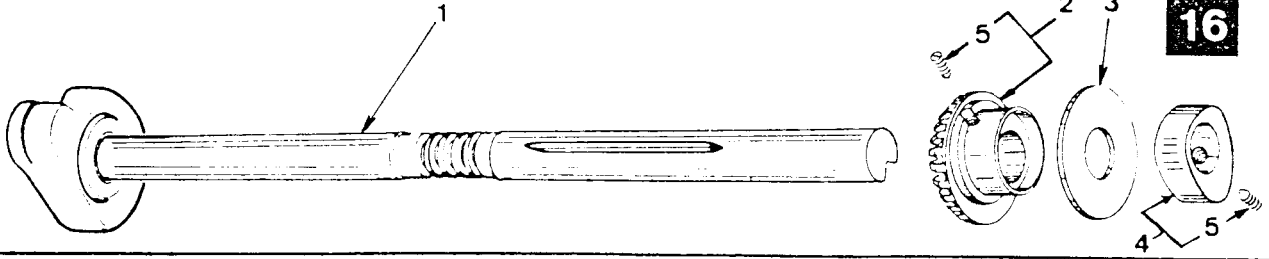


248

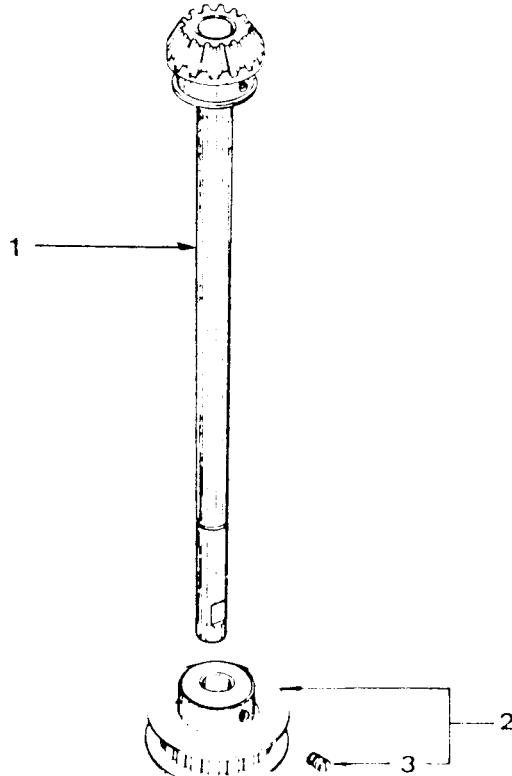


242 / 247

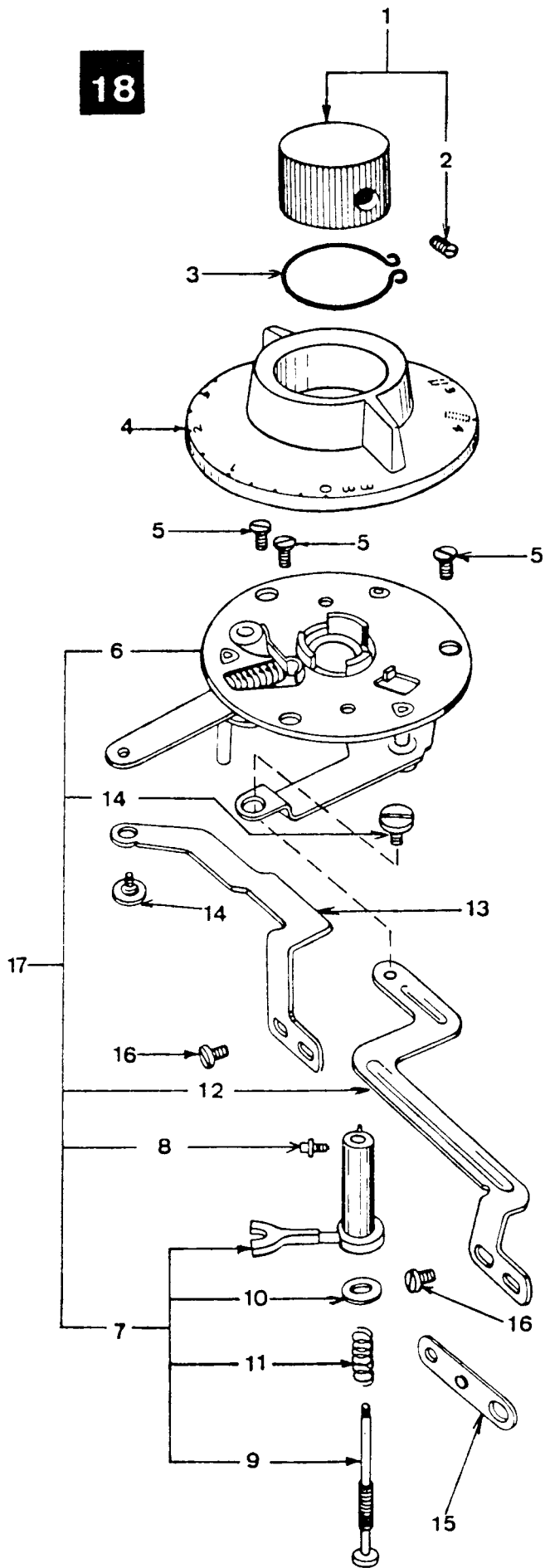
16



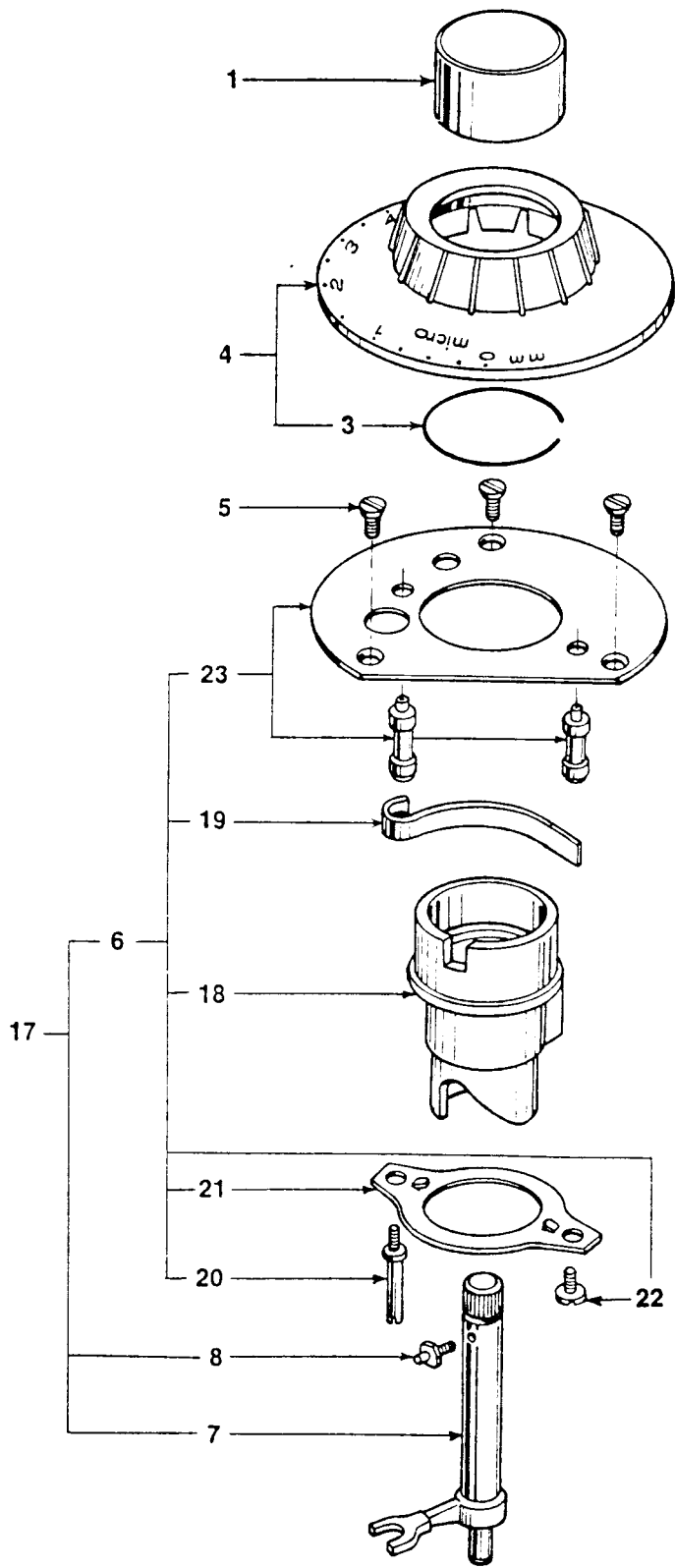
17



18



248



242 / 247

## BUTTONHOLER AND FEED REGULATOR MECHANISM

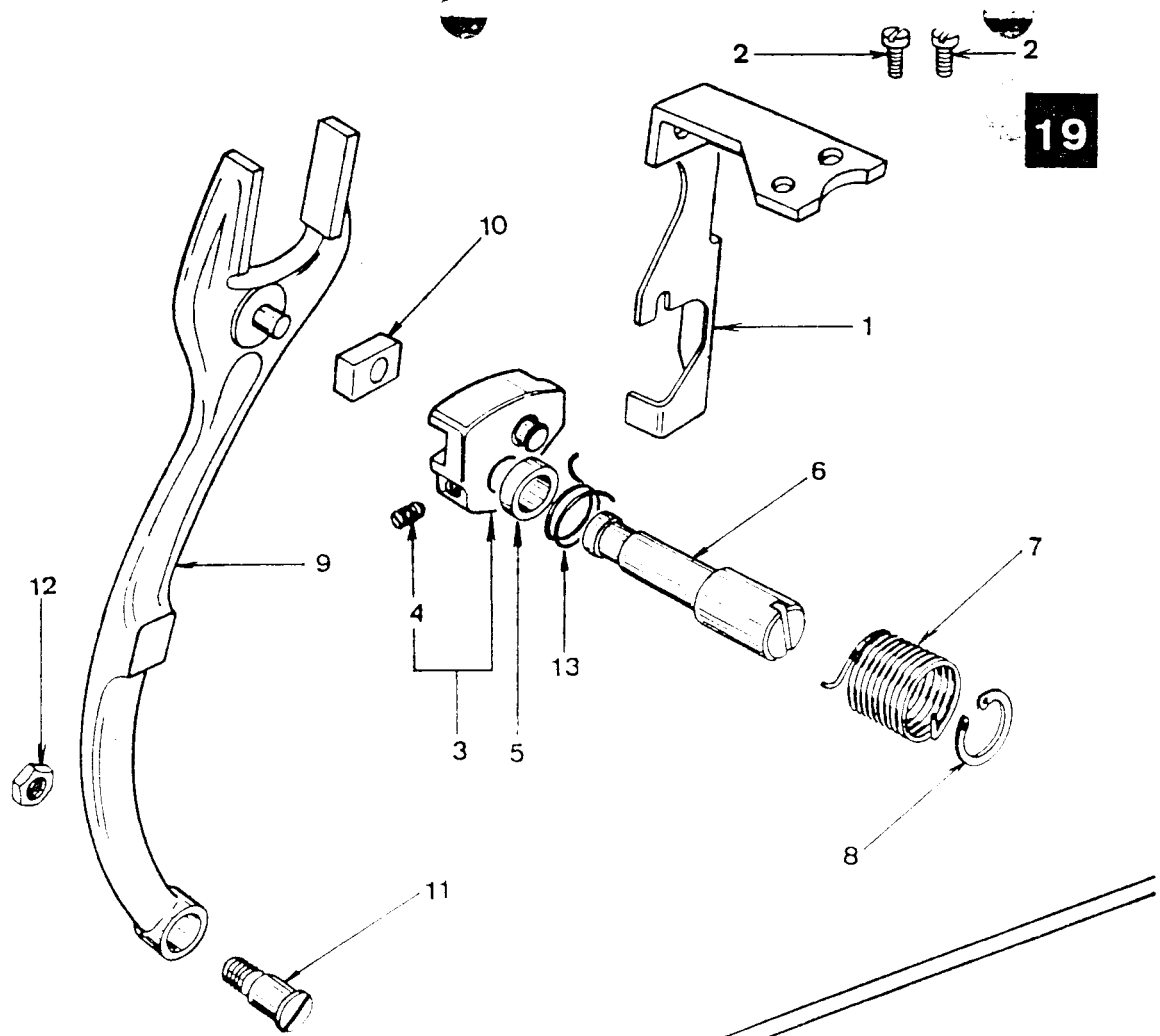
Reference Number	Part Number	Application			Description
		242	247	248	
1	44615-783			x	RESERVE FEED ACTUATING KNOB AND STITCH DENSITY BALANCE
	445286-455	x	x		RESERVE FEED ACTUATING KNOB
	445286-452	x			RESERVE FEED ACTUATING KNOB
2	141913-451			x	KNOB SET SCREW
3	445070			x	RETAINING RING
	445461	x	x		RETAINING RING
4	44544-455			x	STITCH LENGTH AND BUTTONHOLER CONTROL DIAL
	445035-451	x			STITCH LENGTH CONTROL DIAL
	445035-457		x		STITCH LENGTH CONTROL DIAL
	445035-459	x			STITCH LENGTH CONTROL DIAL (FOR L.A. REGION)
5	354552-451	x	x	x	BUTTONHOLER AND FEED REGULATOR CAM COMPLETE SCREW
6	44540			x	BUTTONHOLER AND FEED REGULATOR CAM COMPLETE
	445040	x	x		FEED REGULATOR CAM ASSEMBLY
7	44610			x	FEED REGULATOR POSITIONING PIN CARRIER COMPLETE
	445128	x	x		FEED REGULATOR CAM FOLLOWER
8	37970	x	x	x	RESERVE FEED CAM FOLLOWER STUD
9	44607			x	FEED REGULATOR POSITIONING PIN
10	44613				CANCELLED
11	44612			x	FRICITION SPRING
12	44557			x	BUTTONHOLER BIGHT CONTROL CAM FOLLOWER LEVER LINK (RIGHT)
13	44561			x	BUTTONHOLER NEEDLE POSITION CAM FOLLOWER LEVER LINK (RIGHT)
14	39866-451			x	LEVER LINK SCREWS
15	44556			x	BUTTONHOLER BIGHT CONTROL CAM FOLLOWER LEVER LINK (LEFT)
16	141913-451			x	LEVER LINK SCREW
17	44541			x	BUTTONHOLER FEED REGULATOR CAM COMPLETE
	445033	x	x		FEED REGULATOR CAM COMPLETE
18	37291	x	x		FEED REGULATOR CAM
19	44420	x	x		FEED REGULATOR CAM FRICTION SPRING
20	44465	x	x		FEED REGULATOR CAM FOLLOWER GUIDE (SCREW STUD)
21	37295	x	x		FEED REGULATOR CAM MOUNTING PLATE
22	141844-819	x	x		FEED REGULATOR CAM MOUNTING PLATE SCREW
23	445037	x	x		FEED REGULATOR MECHANISM MOUNTING PLATE

**19****FEED REGULATOR AND FEED FORK**

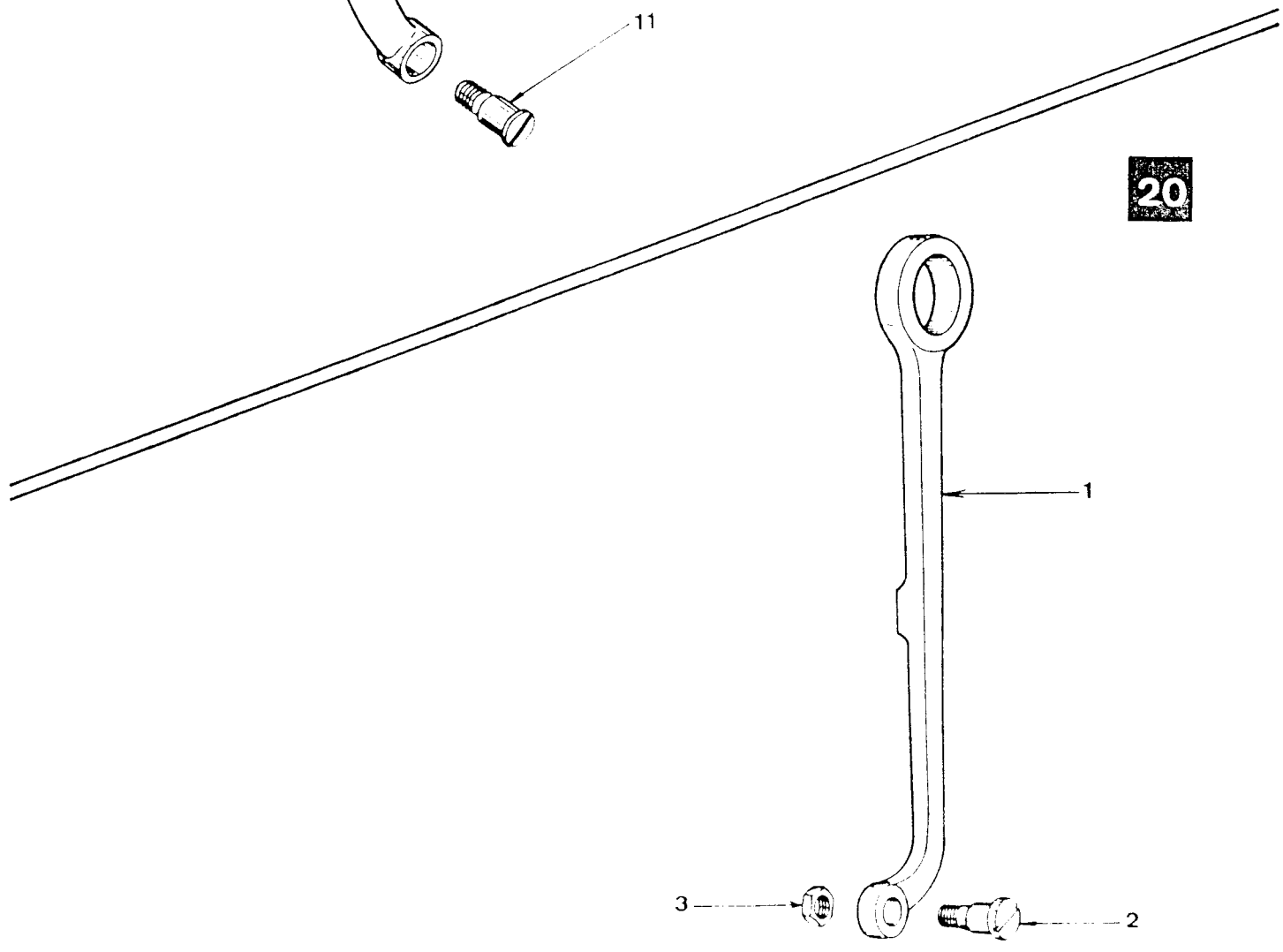
Reference Number	Part Number	Application			Description
		242	247	248	
1	445148	x	x	x	FEED REGULATOR CONTROL ARM MOUNTING BRACKET
2	354552-451	x	x	x	MOUNTING BRACKET SCREW
3	444857	x	x	x	FEED REGULATOR WITH SET SCREW
4	141925-833	x	x	x	FEED REGULATOR HINGE STUD SET SCREW
5	445233	x	x	x	FEED REGULATOR SPACER BUSHING
6	44705	x	x	x	FEED REGULATOR HINGE STUD
7	44702	x	x	x	FEED REGULATOR RETURN SPRING
8	44616	x	x	x	RETAINING RING
9	37283	x	x	x	FEED FORKED CONNECTION
10	44437	x	x	x	FEED FORKED CONNECTION SLIDE BLOCK
11	141805-850	x	x	x	FEED FORKED CONNECTION HINGE SCREW ECCENTRIC
12	53648-819	x	x	x	HINGE SCREW NUT
13	445210	x	x	x	FEED REGULATOR SPRING

**20****FEED LIFTING ROCK SHAFT CONNECTING ROD**

Reference Number	Part Number	Application			Description
		242	247	248	
1	37288	x	x	x	FEED LIFTING ROCK SHAFT CONNECTING ROD
2	141805-850	x	x	x	FEED LIFTING ROCK SHAFT CONNECTING ROD HINGE SCREW ECCENTRIC
3	53648-819	x	x	x	HINGE SCREW NUT



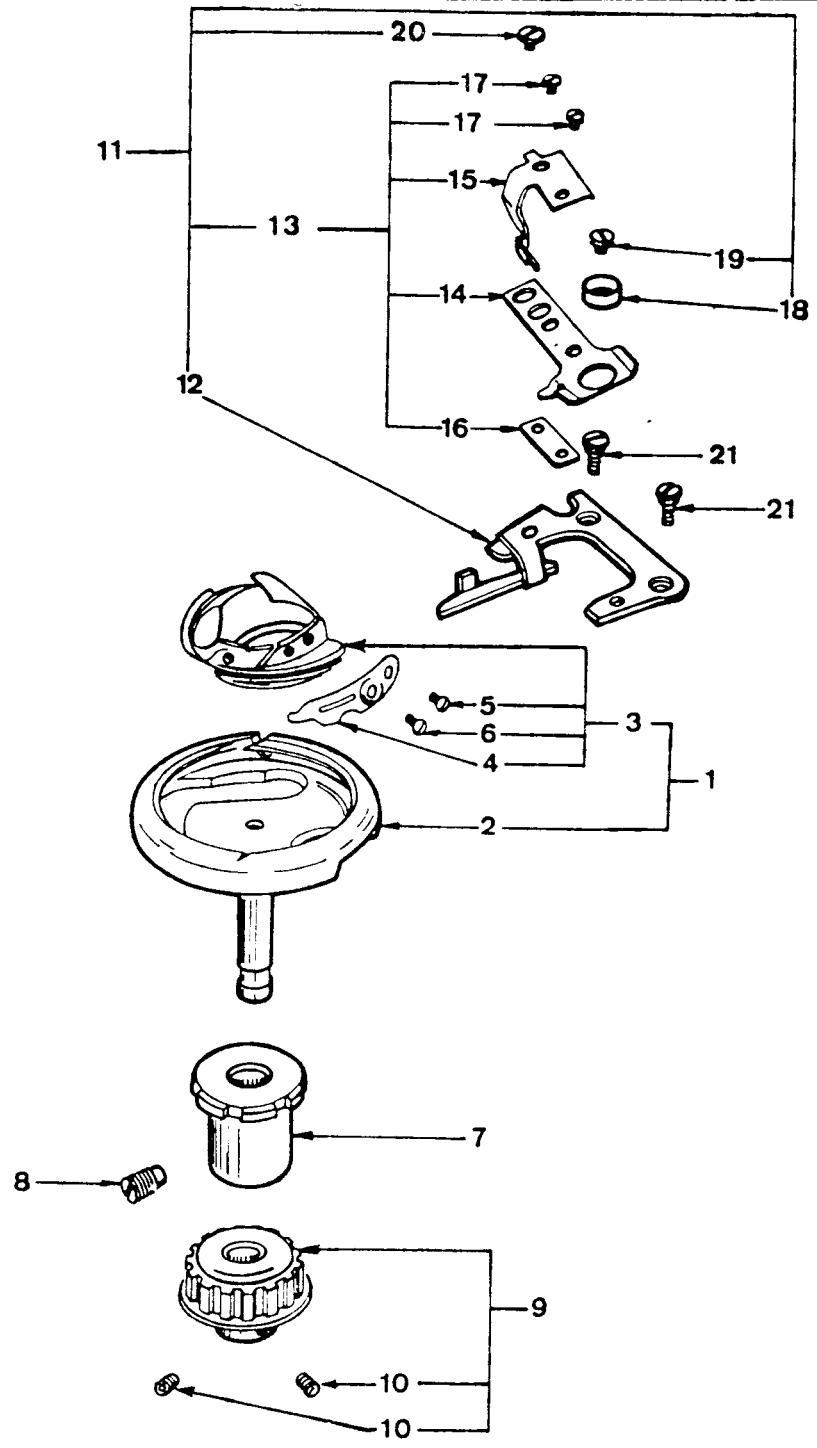
**19**



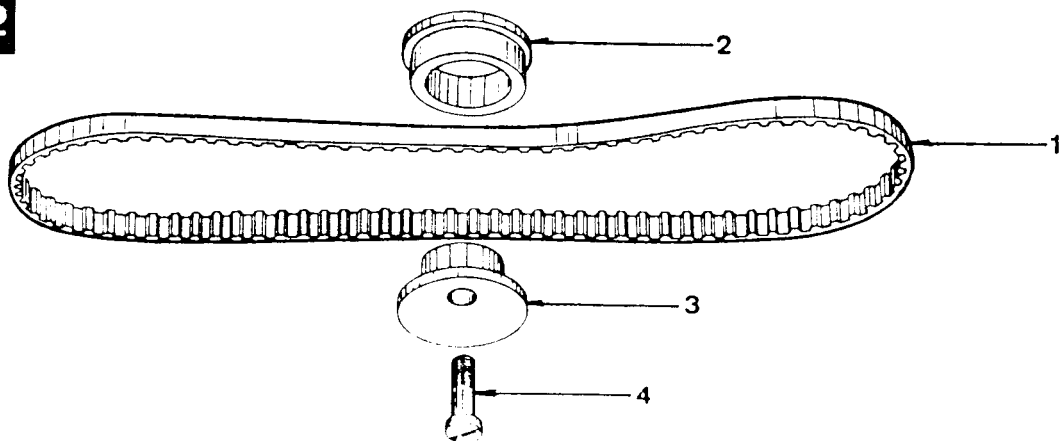
**20**



21



22



## ROTATING HOOK

Reference Number	Part Number	Application			Description
		242	247	248	
1	44685	x	x	x	ROTATING HOOK WITH BOBBIN CASE
2	44506	x	x	x	ROTATING HOOK
3	44834	x	x	x	BOBBIN CASE
4	172202	x	x	x	BOBBIN CASE TENSION SPRING
5	141030-830	x	x	x	TENSION SPRING SCREW
6	1172-806	x	x	x	TENSION SPRING TENSION ADJUSTING SCREW
7	44512	x	x	x	ROTATING HOOK BUSHING
8	141925-833	x	x	x	BUSHING SET SCREW
9	37974	x	x	x	ROTATING HOOK BELT DRIVE PULLEY
	44716	x	x	x	ROTATING HOOK BELT DRIVE PULLEY (ALTERNATE)
10	354237-833	x	x	x	DRIVE PULLEY SET SCREW
11	44630	x	x	x	BOBBIN CASE POSITION FINGER COMPLETE
12	44511	x	x	x	POSITION FINGER
13	44718	x	x	x	BOBBIN CASE CUSHION SPRING ASSEMBLY
14	153375	x	x	x	CUSHION SPRING BRACKET
15	44717	x	x	x	CUSHION SPRING
16	155469	x	x	x	CUSHION SPRING PLATE
17	50202-819	x	x	x	CUSHION SPRING SCREW
18	155464	x	x	x	ADJUSTING SCREW WASHER
19	141345-819	x	x	x	CUSHION SPRING ADJUSTING SCREW
20	141346-850	x	x	x	CUSHION SPRING BRACKET SCREW
21	114128-819	x	x	x	POSITION FINGER SCREW

## ROTATING HOOK DRIVE BELT AND BELT TENSIONER

Reference Number	Part Number	Application			Description
		242	247	248	
1	37977	x	x	x	ROTATING HOOK DRIVE BELT
2	44410	x	x	x	TENSION ADJUSTER ROLLER
3	44409	x	x	x	TENSION ADJUSTER
4	141794-819	x	x	x	TENSION ADJUSTER SCREW

23

## FEED SYSTEM

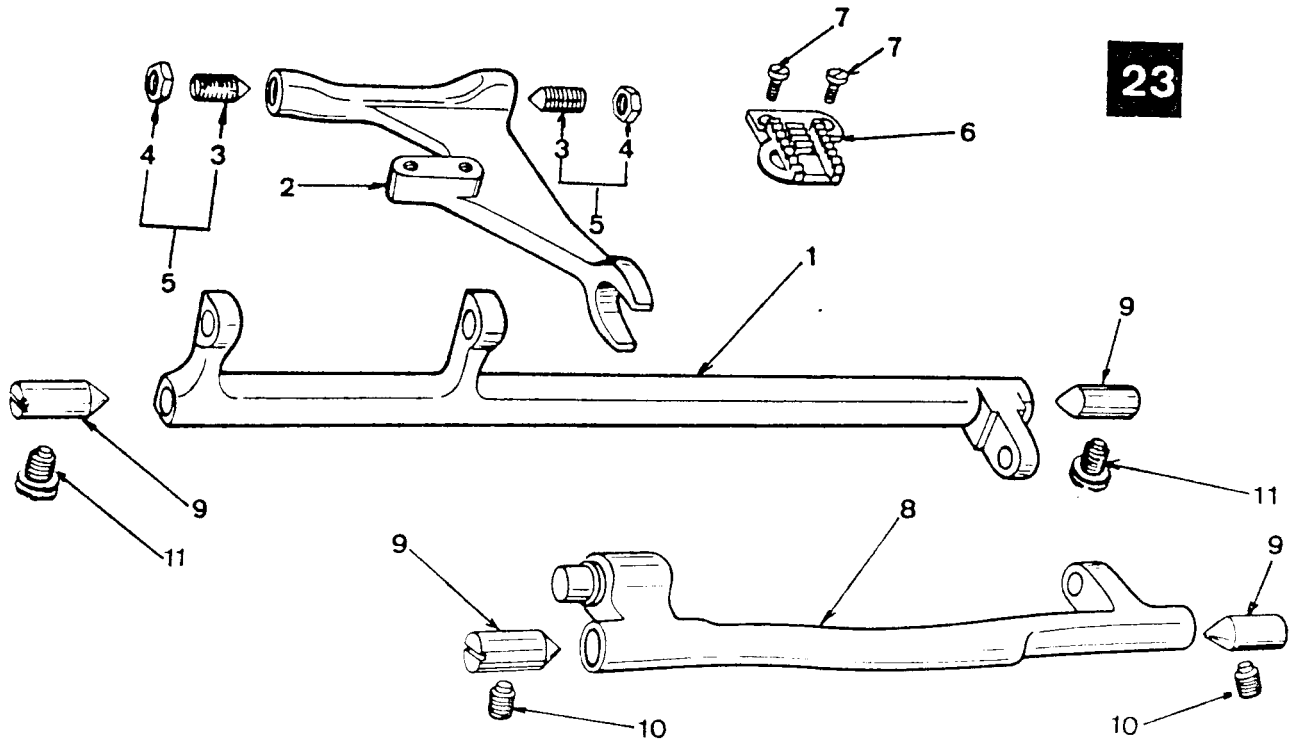
Reference Number	Part Number	Application			Description
		242	247	248	
1	37915	x	x	x	FEED SHAFT
2	44601	x	x	x	FEED BAR
3	141921-850	x	x	x	FEED BAR SCREW CENTER
4	53647-819	x	x	x	FEED BAR SCREW CENTER NUT
5	44505	x	x	x	SCREW CENTER WITH NUT
6	153797	x	x	x	FEED DOG
7	141808-452	x	x	x	FEED DOG SCREW
8	319675	x	x	x	FEED LIFTING ROCK SHAFT
9	37287	x	x	x	ROCK SHAFT CENTER
10	141925-833	x	x	x	CENTER SET SCREWS
11	345316-451	x	x	x	CENTER SET SCREWS

24

## OTHER PARTS

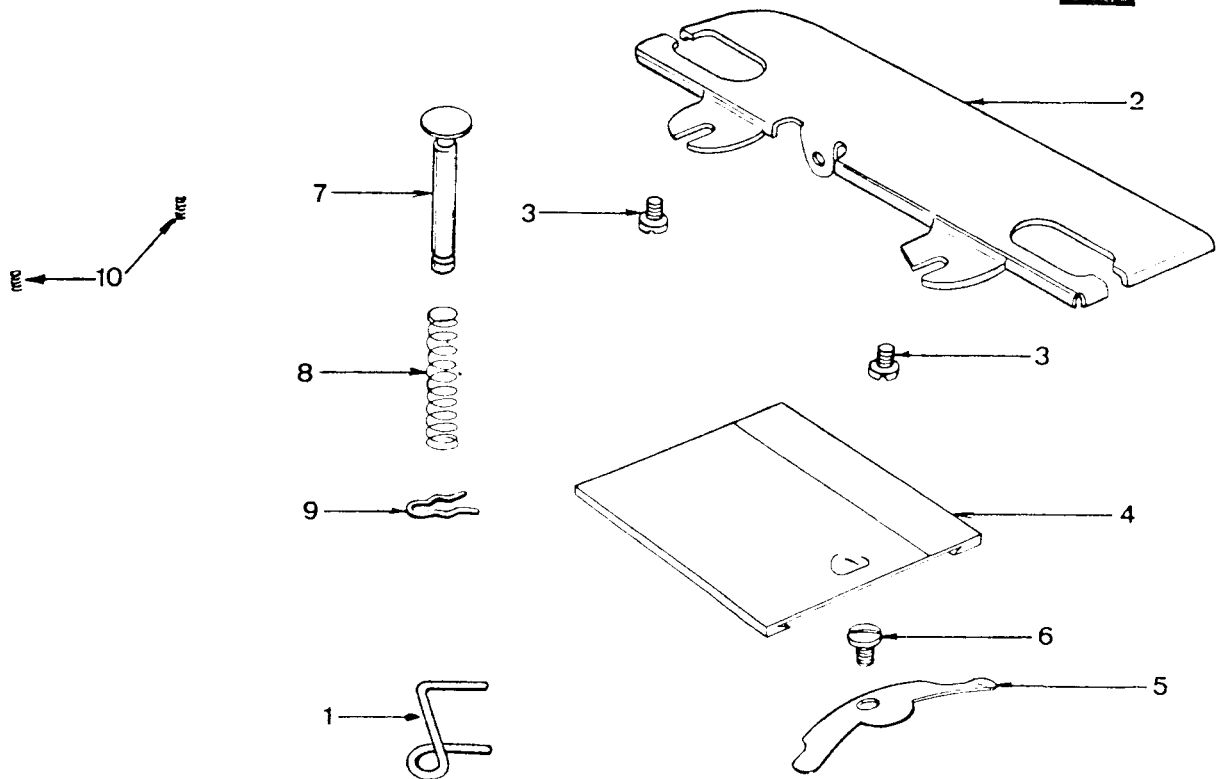
Reference Number	Part Number	Application			Description
		242	247	248	
1	37989	x	x	x	THREAD GUIDE LOWER
2	444499-677	x			BED EXTENSION PLATE (FOR L.A. REGION)
	444499-460	x			BED EXTENSION PLATE
	444499-783			x	BED EXTENSION PLATE
3	354552-451	x	x	x	BED EXTENSION PLATE SCREW
4	179521	x	x	x	BED SLIDE
5	37239	x	x	x	BED SLIDE SPRING
6	352552-451	x	x	x	BED SLIDE SPRING SCREW
7	444888	x	x	x	THROAT PLATE CLAMP
8	444889	x	x	x	THROAT PLATE CLAMP SPRING
9	179658	x	x	x	THROAT PLATE CLAMP SPRING
					RETAINING CLIP
10	141925-833	x	x	x	MACHINE HINGE CONNECTION SET SCREW

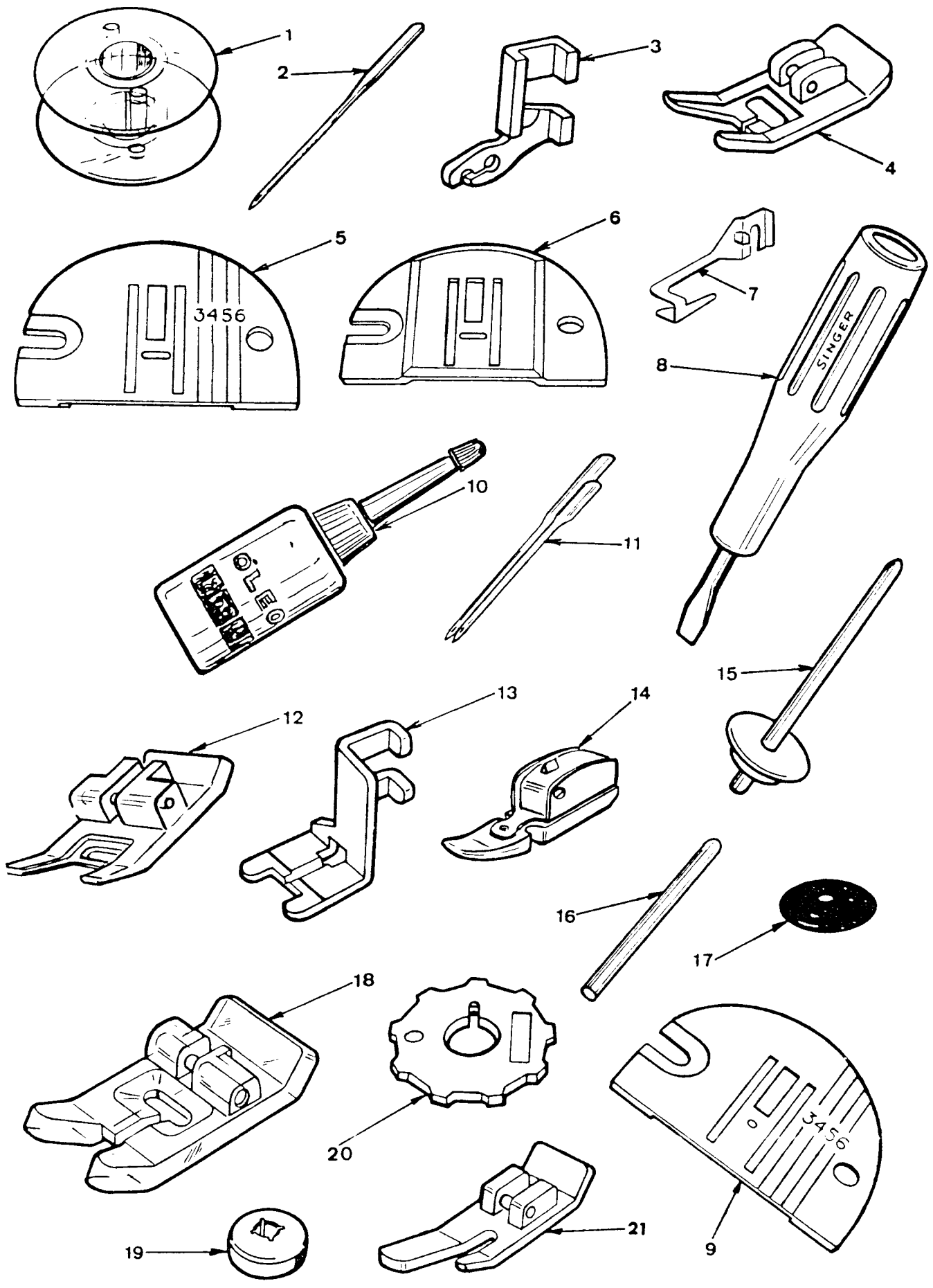
23



242 / 248

24





**ACCESSORIES**

Reference Number	Part Number	Application			Description
		242	247	248	
1	172336	3F	3F	3F	BOBBIN
2	CAT-2020	1F	3F	1F	NEEDLE CAT-2020 (15x1) SIZE 14
	CAT-2020	E	E	E	NEEDLE CAT-2020 (15x1) SIZE 9 THROUGH 18
	CAT-2020	1F		1F	NEEDLE CAT-2020 (15x1) SIZE 11
	CAT-2020	1F		1F	NEEDLE CAT-2020 (15x1) SIZE 16
	CAT-2045	1F		1F	NEEDLE CAT-2045 SIZE 14
3	155964	1FM	1FM	1FM	PRESSER FOOT SHANK
4	155962	1FM	1FM	1FM	GENERAL PURPOSE PRESSER FOOT PLATE (SNAP ON)
5	44984	1FM	1FM	1FM	THROAT PLATE — GENERAL PURPOSE
6	381134	1F		1F	THROAT PLATE FOR DARNING
7	381213	1F		1F	BLIND STITCH GUIDE
8	161294				CANCELLED
9	44985	1F		1F	THROAT PLATE — STRAIGHT STITCH
10	444884	1F		1F	OIL CONTAINER
11	CAT-2028	1F		1F	TWIN NEEDLE CAT-2028 — SIZE 14-2 mm BETWEEN POINTS
12	171498	1F		1F	PRESSER FOOT — SPECIAL PURPOSE
13	161613	1F		1F	PRESSER FOOT — BUTTON SEWING
14	507836	1F		1F	PRESSER FOOT — ZIPPER
15	444813-451	1F		1F	SPOOL PIN FOR TWIN NEEDLE SEWING
16	173571	1FM	1FM		SPOOL PIN
17	8879-750	1FM	1FM		SPOOL PIN WASHER
18	161927			1F	PRESSER FOOT PLATE SNAP ON FOR BUTTONHOLE
19	507664-783			1F	THREAD LEAD-OFF — SMALL
20a	276301			1FM	DISC N° 1 — ZIG-ZAG
20b	276302			1F	DISC N° 2 — MULTIPLE ZIG-ZAG
20c	276305			1F	DISC N° 5 — ARROW HEAD
20d	276306			1F	DISC N° 6 — DOMINO
20e	276312			1F	DISC N° 12 — WALLS OF TROY
20f	276313			1F	DISC N° 13 — SOLID DIAMOND
20g	276319			1F	DISC N° 19 — BALL
20h	276327			1F	DISC N° 27 — FAGOTING
20i	276330			1F	DISC N° 30 — PLATFORM
20j	171340			1F	DISC N° 350 — BLIND STITCH
20k	171341			1F	DISC N° 351 — CRESCENT
20l	171342			1F	DISC N° 352 — SOLID SCALLOP
20m	171343			1F	DISC N° 353 — SOLID PYRAMID
20n	171344			1F	DISC N° 354 — KEY
20p	171345			1F	DISC N° 355 — BANNER
21	171315	1F		1F	PRESSER FOOT PLATE SNAP ON STRAIGHT STITCH
	153267	1F		1F	PRESSER FOOT PLATE SNAP ON STRAIGHT STITCH (ALTERNATE)

F — SUPPLIED WITH ACCESSORY BOX  
 FM — SUPPLIED WITH MACHINE  
 E — OVER COUNTER SALES

# MOTOR SINGER WZC-3

REF	WZC 3-8 (UL CSA)	WZC 3-8	WZC 3-11
1	60479 001*	60479 011*	60479 016*
2	604394 010	604394 010	604394 013
3	444216 001	444216 001	777910 004
4	CR304 1/2	CR304 1/2	CR304 1/2
5	618804 003	618804 003	618804 001
6	713435 925	619310 005	619310 005
7	605014 901	.	.
8	605014 902	.	.

