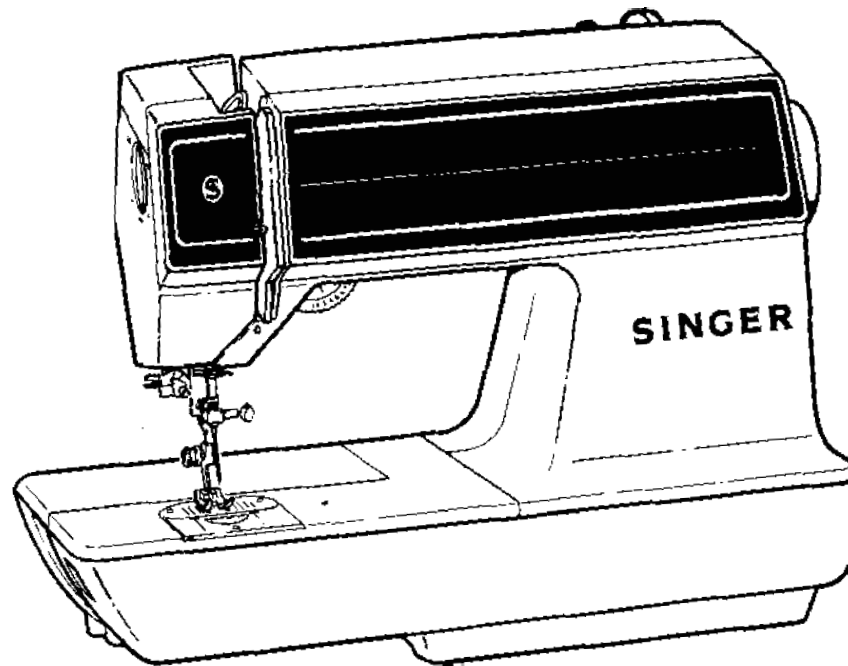


# LIST OF PARTS FOR 2001A MACHINE



THE SINGER COMPANY  
COPYRIGHT © 1978 THE SINGER COMPANY  
ALL RIGHTS RESERVED THROUGHOUT THE WORLD



0

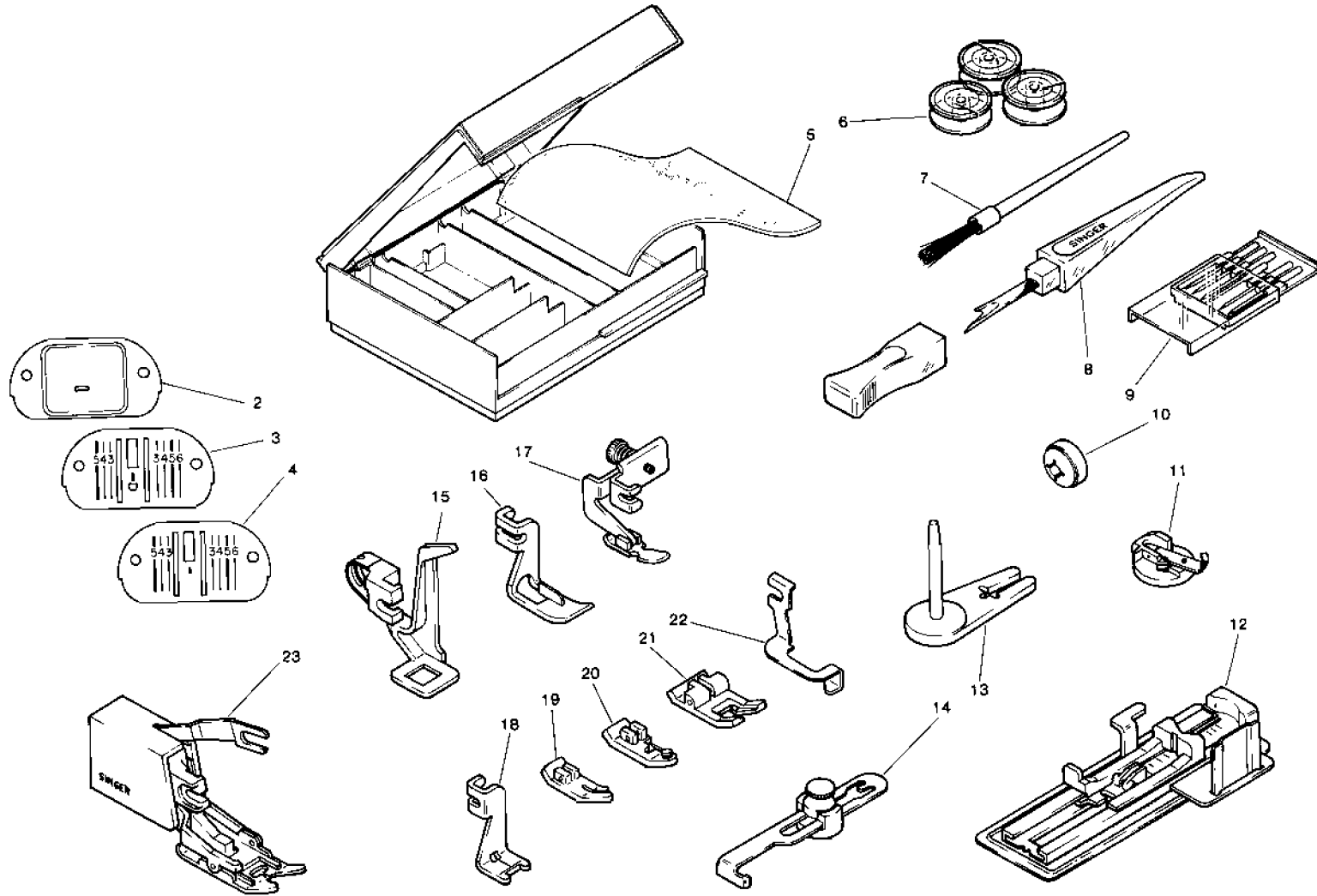
0

0

| PAGE NO. | SUBASSEMBLY                                 | SUBASSEMBLY CODE |
|----------|---|------------------|
| 4 & 5    | ATTACHMENT SET                              | 262              |
| 6 & 7    | ELECTRONICS FOR COVERS AND ADD-ONS          | 6421             |
| 8 & 9    | HOOK AND HOOK DRIVE                         | 042              |
| 10 TO 13 | HEAD END MODULE                             | 601              |
| 14 & 15  | TENSION MODULE                              | 101              |
| 16 & 17  | ELECTRONICS FOR RIGHT DRIVE LINEAR MOTOR    | 66               |
| 18 & 19  | NEEDLE BAR DRIVE AND HAND WHEEL             | 591              |
| 20 TO 23 | FEED DRIVE MECHANISM                        | 053              |
| 24 & 25  | ELECTRICAL EQUIPMENT (110-120 VOLTS)        | 6321             |
| 26 TO 31 | ELECTRONICS FOR LOGIC ELECTRICS AND CONTROL | 6                |

NOTE: SUBASSEMBLY CODE IS USED FOR COMPUTER INDEX ONLY AND SHOULD NOT BE USED FOR PARTS ORDERING.

ATTACHMENT SET — 262



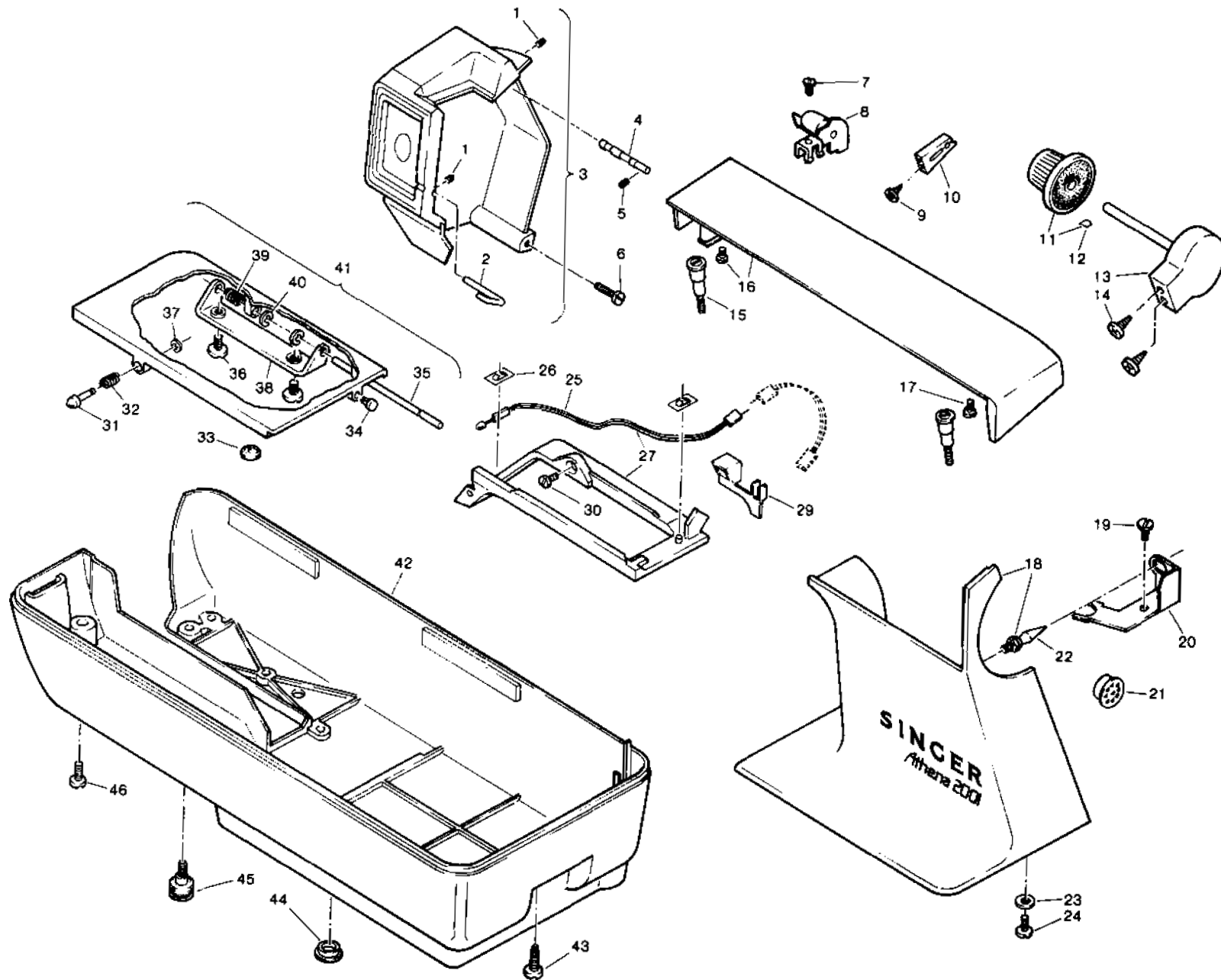
ATTACHMENT SET — 252

| REF. | PART NO.   | DESCRIPTION   |
|------|------------|---|
| 02   | 381409     | FEED COVER PLATE, FOR DARNING, EMBROIDERY & BUTTON SEWING (6 MM BIGHT).   |
| 03   | 381365     | CHAIN STITCH ATTACHMENT THROAT PLATE (181841-900 MACHINED).   |
| 04   | 381372     | THROAT PLATE FOR STRAIGHT SEWING.   |
| 05   | 381039     | ATTACHMENT BOX INSERT (FOAM, PLASTIC).  |
| 06   | 181551     | BOBBIN (PLASTIC).   |
| 07   | 501750     | LINT BRUSH.   |
| 08   | 642616-001 | SEAM RIPPER,  |
| 09   | 381251     | NEEDLE PACK.  |
| 10   | 507664-454 | ARM SPOOL PIN THREAD LEAD-OFF (SMALL, PLASTIC).   |
| 11   | 171438-451 | CHAIN STITCH ATTACHMENT LOOP RETAINER INSERT COMPL..  |
| 12   | 421284-451 | BUTTONHOLER (ONE-STEP) PRESSER FOOT PLATE (SNAP-ON) COMPL. (1 3/81).  |
| 13   | 381114-451 | SPOOL PIN FOR TWIN NEEDLE SEWING (PLASTIC).   |
| 14   | 161172     | SEAM & BLINDSTITCH HEM GUIDE COMPL..  |
| 15   | 507909     | DARNING & EMBROIDERY FOOT (PLASTIC).  |
| 1a   | 381370     | PRESSER FOOT FOR TAILOR TACK.   |
| 17   | 161166     | PRESSER FOOT (HINGED, ADJUSTABLE FOR SEWING EITHER ON RIGHT OR LEFT SIDE OF NEEDLE) FOR CORDING & SLIDE FASTENERS COMPL.. |
| 18   | 381066     | PRESSER FOOT FOR BUTTON SEWING (6 MM BIGHT).  |
| 19   | 161919     | PRESSER FOOT PLATE (SNAP-ON) FOR STRAIGHT SEWING (ALTERNATE TO NO- 5022771).  |
| 20   | 171460     | PRESSER FOOT PLATE (SNAP-ON, SLOTTED) FOR SLANT OVEREDGE 6 OVEREDGE STRETCH STITCH (6 MM BIGHT).                          |
| 21   | 171463     | SPECIAL PURPOSE PRESSER FOOT PLATE (SNAP-ON).   |
| 22   | 171110     | BLINDSTITCH HEM GUIDE.  |
| 23   | 171466-451 | EVEN FEED FOOT (COMPL.) 16 MM BIGHT).   |
| 24   | 381389     | ATTACHMENT SET COMPL., PACKED IN ATTACHMENT BOX NO. 171434-900.   |

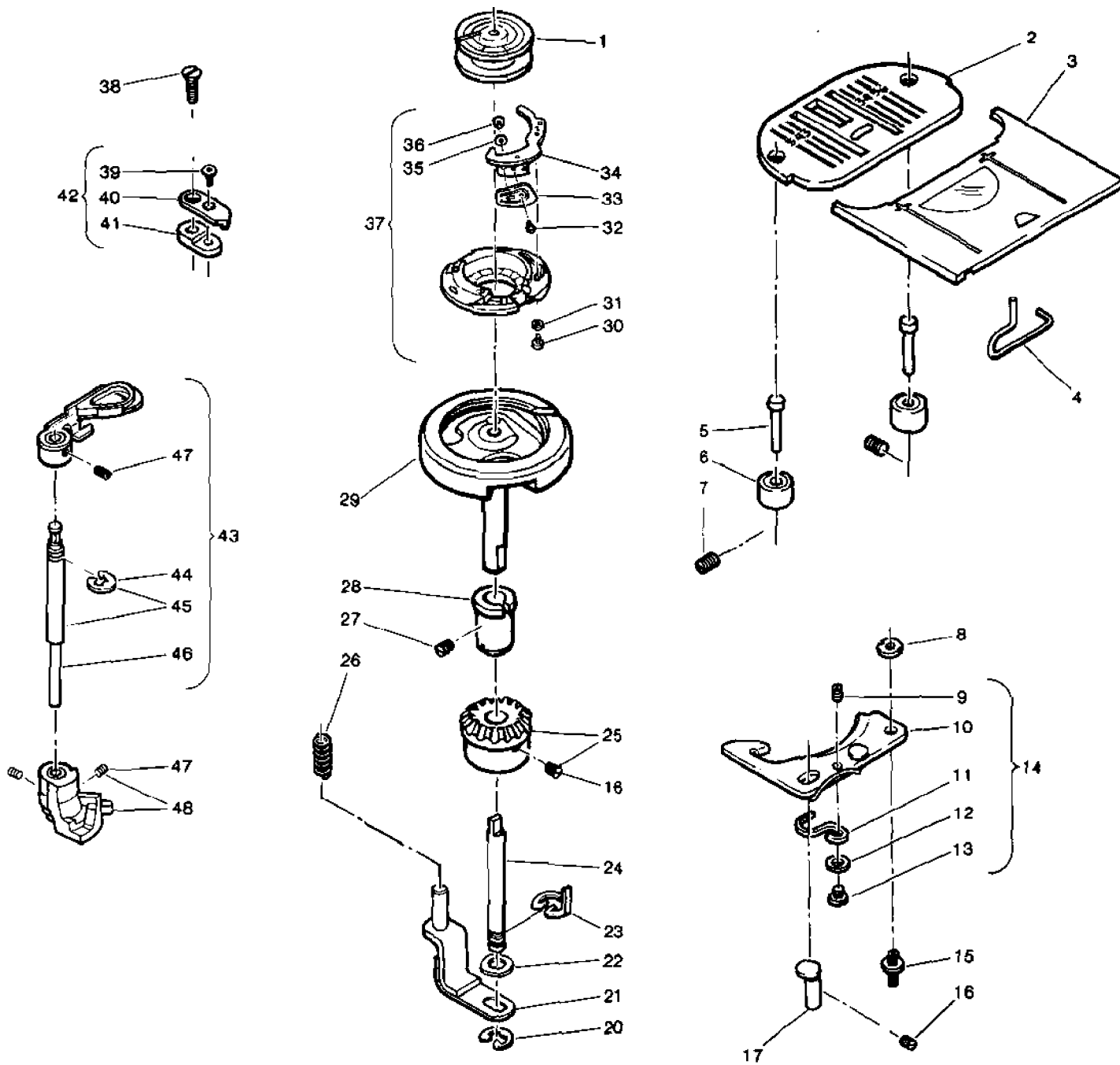
## ELECTRONICS FOR COVERS AND ADD-ONS — 6421

| REF. | PART NO.   | DESCRIPTION                                    | REF. | PART NO.   | DESCRIPTION  |
|------|------------|--|------|------------|--|
| 01   | 394203-451 | FACE PLATE SCREW (UPPER).                      | 26   | 383290     | L.E.D. HARNESS RETAINING CLIP.                               |
| 02   | 381375     | CHAIN STITCH ATTACHMENT THREAD GUIDE.          | 27   | 383527-451 | ARM FRONT COVER SEGMENT W/HARNESS INTERCONNECT AND L.E.D..   |
| 03   | 383420-451 | FACE PLATE COMPL..                             | 29   | 383402     | ARM FRONT COVER & SEGMENT BUMPER (RUBBER).                   |
| 04   | 382162     | FACE PLATE POSITIONING STUD.                   | 30   | 354090-451 | ARM FRONT COVER SEGMENT SCREW.                               |
| 05   | 354401-451 | FACE PLATE POSITIONING STUD SET SCREW.         | 31   | 381874-451 | BED (CONVERTIBLE) LID LATCH (PLASTIC).                       |
| 06   | 354741-451 | FACE PLATE SCREW (LOWER).                      | 32   | 381877     | BED (CONVERTIBLE) LID LATCH SPRING.                          |
| 07   | 354030-451 | PRE-TENSION SCREW.                             | 33   | 619491-001 | BED (CONVERTIBLE) LID PAD (SELF-ADHESIVE).                   |
| 08   | 383151     | PRE-TENSION COMPL..                            | 34   | 381878     | BED (CONVERTIBLE) LID POSITIONING BUTTON (PLASTIC).          |
| 09   | 139935-451 | THREAD GUIDE (OUTSIDE, BACK OF ARM) SCREW.     | 35   | 382741     | BED (CONVERTIBLE) LID HINGE PIN.                             |
| 10   | 511252-452 | THREAD GUIDE (OUTSIDE, BACK OF ARM) (PLASTIC). | 36   | 141860-814 | BED (CONVERTIBLE) LID HINGE BRACKET SCREW.                   |
| 11   | 163149-004 | ARM SPOOL PIN THREAD LEAD-OFF COMPL..          | 37   | 182195     | BED (CONVERTIBLE) LID LATCH RETAINING RING.                  |
| 12   | 163150     | ARM SPOOL PIN THREAD LEAD-OFF SPRING CLIP.     | 38   | 382740     | BED (CONVERTIBLE) LID HINGE BRACKET.                         |
| 13   | 382485-451 | ARM SPOOL PIN.                                 | 39   | 381876     | BED (CONVERTIBLE) LID HINGE SPRING.                          |
| 14   | 354491-451 | ARM SPOOL PIN HOLDER SCREW.                    | 40   | 507563     | BED (CONVERTIBLE) LID HINGE PIN RETAINING RING.              |
| 15   | 382681-001 | ARM TOP COVER GUIDE SCREW STUD.                | 41   | 382739-451 | BED (CONVERTIBLE) LID.                                       |
| 16   | 383403-451 | ARM TOP COVER.                                 | 42   | 383257-451 | BED (CONVERTIBLE) COVER (BOTTOM).                            |
| 17   | 354729-451 | ARM TOP COVER LATCH SCREW.                     | 43   | 354678-451 | BED (CONVERTIBLE) COVER (BOTTOM) SCREW.                      |
| 18   | 383401-451 | ARM FRONT COVER.                               | 44   | 383529-451 | BED (CONVERTIBLE) COVER (BOTTOM) ACCESS HOLE PLUG (PLASTIC). |
| 19   | 141824-814 | ARM FRONT COVER RETAINING BRACKET SCREW.       | 45   | 382337     | BED (CONVERTIBLE) COVER (BOTTOM) CUSHION.                    |
| 20   | 383370     | ARM FRONT COVER RETAINING BRACKET.             | 46   | 141860-814 | BED (CONVERTIBLE) COVER (BOTTOM) FASTENING SCREW.            |
| 21   | 383413-451 | SPEAKER GRILL (PLASTIC).                       |      |            |  |
| 22   | 383369     | ARM FRONT COVER LOCKING STUD.                  |      |            |  |
| 23   | 172556     | ARM FRONT COVER SCREW (BOTTOM) WASHER.         |      |            |  |
| 24   | 354020-451 | ARM FRONT COVER SCREW (BOTTOM).                |      |            |  |
| 25   | 605346-001 | HARNESS COMPL. INTERCONNECT W/L.E.D..          |      |            |  |

ELECTRONICS FOR COVERS AND ADD ONS — 6421



# HOOK AND HOOK DRIVE — 042





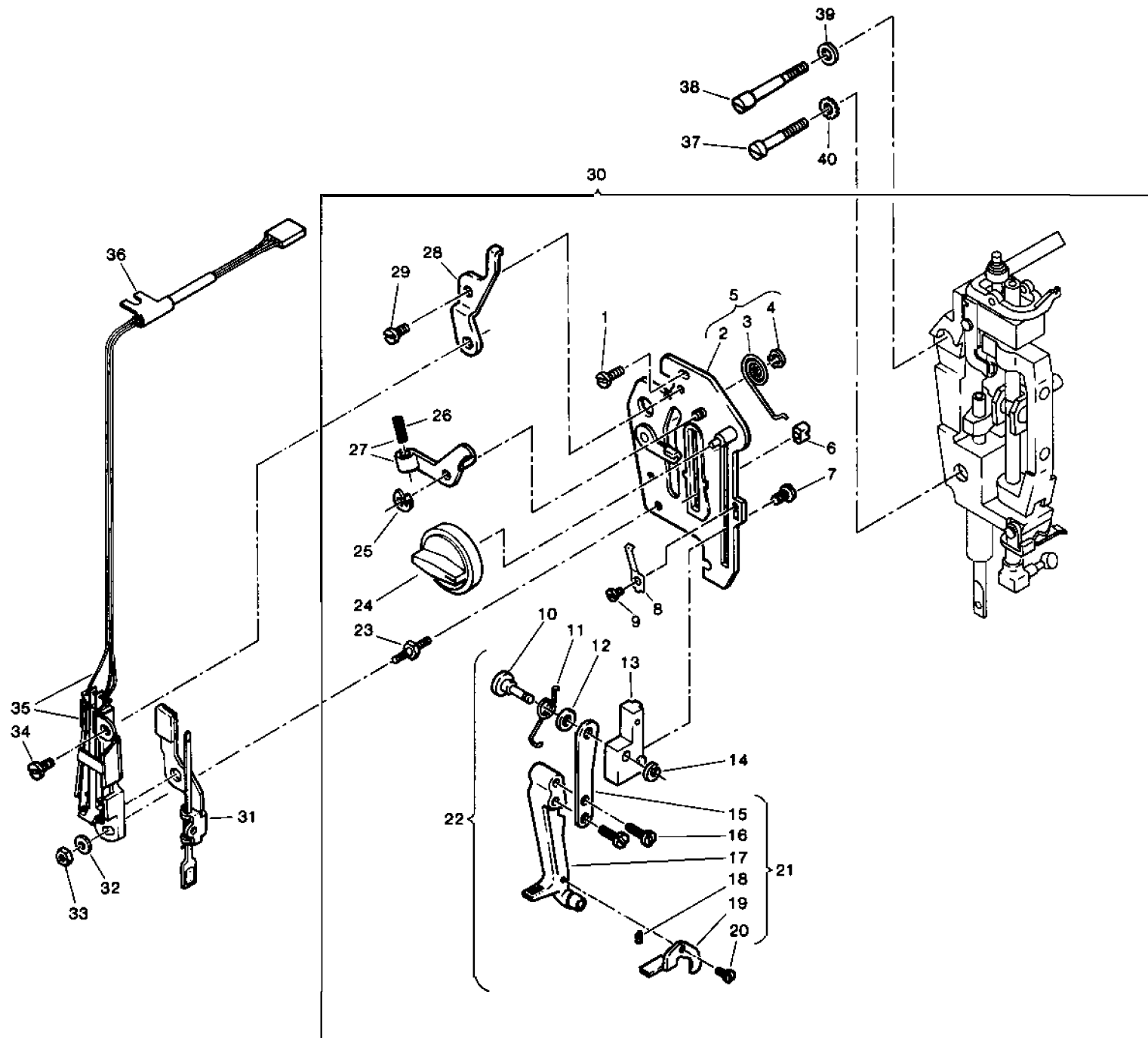
MOOK AND HOOK DRIVE— 042

| REF. | PART NO.   | DESCRIPTION  | REF. | PART NO.   | DESCRIPTION  |
|------|------------|--|------|------------|--|
| 01   | 181551     | ROTATING HOOK BOBBIN (PLASTIC).  | 26   | 163791     | ROTATING HOOK BOBBIN WINDER ACTUATING LEVER SHAFT CAM FOLLOWER SPRING.               |
| 02   | 383339     | THROAT PLATE FDA ZIG-ZAG SEWING (181871-900 MACHINED. 1/16 MM BIGHT).                              | 27   | 354725-451 | ROTATING HOOK FLANGED BUSHING (ECCENTRIC) SET SCREW.                                 |
| 03   | 383414     | BED SLIDE WITH MOLDED PLASTIC WINDOW.  | 28   | 383349     | ROTATING HOOK FLANGED BUSHING (ECCENTRIC) (383349-900 MACHINED).                     |
| 04   | 383121     | BED SLIDE STOP.  | 29   | 181549     | ROTATING HOOK (181549-900 FINISH MACHINED).  |
| 05   | 174256     | THROAT PLATE CATCH PIN.  | 30   | 139995-452 | ROTATING HOOK BOBBIN CASE TENSION SPRING BRACKET SCREW.                              |
| 06   | 507196     | THROAT PLATE SECURING MAGNET.  | 31   | 381694     | ROTATING HOOK BOBBIN CASE TENSION SPRING BRACKET SCREW WASHER.                       |
| 07   | 354176-451 | THROAT PLATE CATCH PIN SCREW.  | 32   | 354164-451 | ROTATING HOOK BOBBIN CASE TENSION SPRING CLAMPING SCREW.                             |
| 08   | 54594-451  | ROTATING HOOK BOBBIN CASE POSITION PLATE SCREW NUT.  | 33   | 382449     | ROTATING HOOK BOBBIN CASE TENSION SPRING.  |
| 09   | 354190-451 | ROTATING HOOK BOBBIN CASE POSITION PLATE ADJUSTING SCREW (354190-452 WITH FUSED PLASTIC MATERIAL). | 34   | 181559-001 | ROTATING HOOK BOBBIN CASE TENSION SPRING BRACKET.                                    |
| 10   | 383387     | ROTATING HOOK BOBBIN CASE POSITION PLATE.  | 35   | 381996     | ROTATING HOOK BOBBIN CASE TENSION SPRING REGULATING SCREW FRICTION WASHER (PLASTIC). |
| 11   | 381884     | ROTATING HOOK BOBBIN CASE CUSHION SPRING (381884-900 CLEANED & HARDENED).                          | 36   | 354299-451 | ROTATING HOOK BOBBIN CASE TENSION SPRING REGULATING SCREW.                           |
| 12   | 381885-451 | ROTATING HOOK BOBBIN CASE CUSHION SPRING WASHER.   | 37   | 383386     | ROTATING HOOK BOBBIN CASE COMPL.   |
| 13   | 354215-451 | ROTATING HOOK BOBBIN CASE CUSHION SPRING SCREW.  | 38   | 354148-452 | ROTATING HOOK BOBBIN CASE POSITION FINGER SCREW.                                     |
| 14   | 383388     | ROTATING HOOK BOBBIN CASE POSITION PLATE.  | 39   | 354149-451 | ROTATING HOOK BOBBIN CASE POSITION FINGER ADJUSTING SCREW.                           |
| 15   | 354150-452 | ROTATING HOOK BOBBIN CASE POSITION PLATE SCREW (354150-451 WITH FUSED PLASTIC MATERIAL).           | 40   | 181554     | ROTATING HOOK BOBBIN CASE POSITION FINGER.   |
| 16   | 141338-861 | ROTATING HOOK BOBBIN CASE POSITION PLATE ADJUSTING STUD (ECCENTRIC) SET SCREW.                     | 41   | 381665     | ROTATING HOOK BOBBIN CASE POSITION FINGER MOUNTING PLATE.                            |
| 17   | 383579     | ROTATING HOOK BOBBIN CASE POSITION PLATE ADJUSTING STUD (ECCENTRIC).                               | 42   | 381847     | ROTATING HOOK BOBBIN CASE POSITION FINGER.   |
| 20   | 153884     | ROTATING HOOK BOBBIN DRIVING SHAFT RETAINING RING.   | 43   | 382326     | ROTATING HOOK BOBBIN WINDER ACTUATING LEVER.   |
| 21   | 181576     | ROTATING HOOK BOBBIN WINDER LIFTING BRACKET.   | 44   | 165472     | ROTATING HOOK BOBBIN WINDER ACTUATING LEVER SHAFT RETAINING RING.                    |
| 22   | 181565     | ROTATING HOOK BOBBIN DRIVING SHAFT SPACER (PLASTIC).   | 45   | 381960     | ROTATING HOOK BOBBIN WINDER ACTUATING LEVER SHAFT.                                   |
| 23   | 181564     | ROTATING HOOK BOBBIN DRIVING SHAFT CLUTCH SPRING (181564-900 TUMBLED).                             | 46   | 381959     | ROTATING HOOK BOBBIN WINDER ACTUATING LEVER SHAFT.                                   |
| 24   | 101562     | ROTATING HOOK BOBBIN DRIVING SHAFT.  | 47   | 354247-451 | ROTATING HOOK BOBBIN WINDER ACTUATING LEVER SHAFT CAM SET SCREW.                     |
| 25   | 382879     | ROTATING HOOK BEVEL GEAR (PLASTIC).  | 48   | 381958     | ROTATING HOOK BOBBIN WINDER ACTUATING LEVER SHAFT CAM.                               |

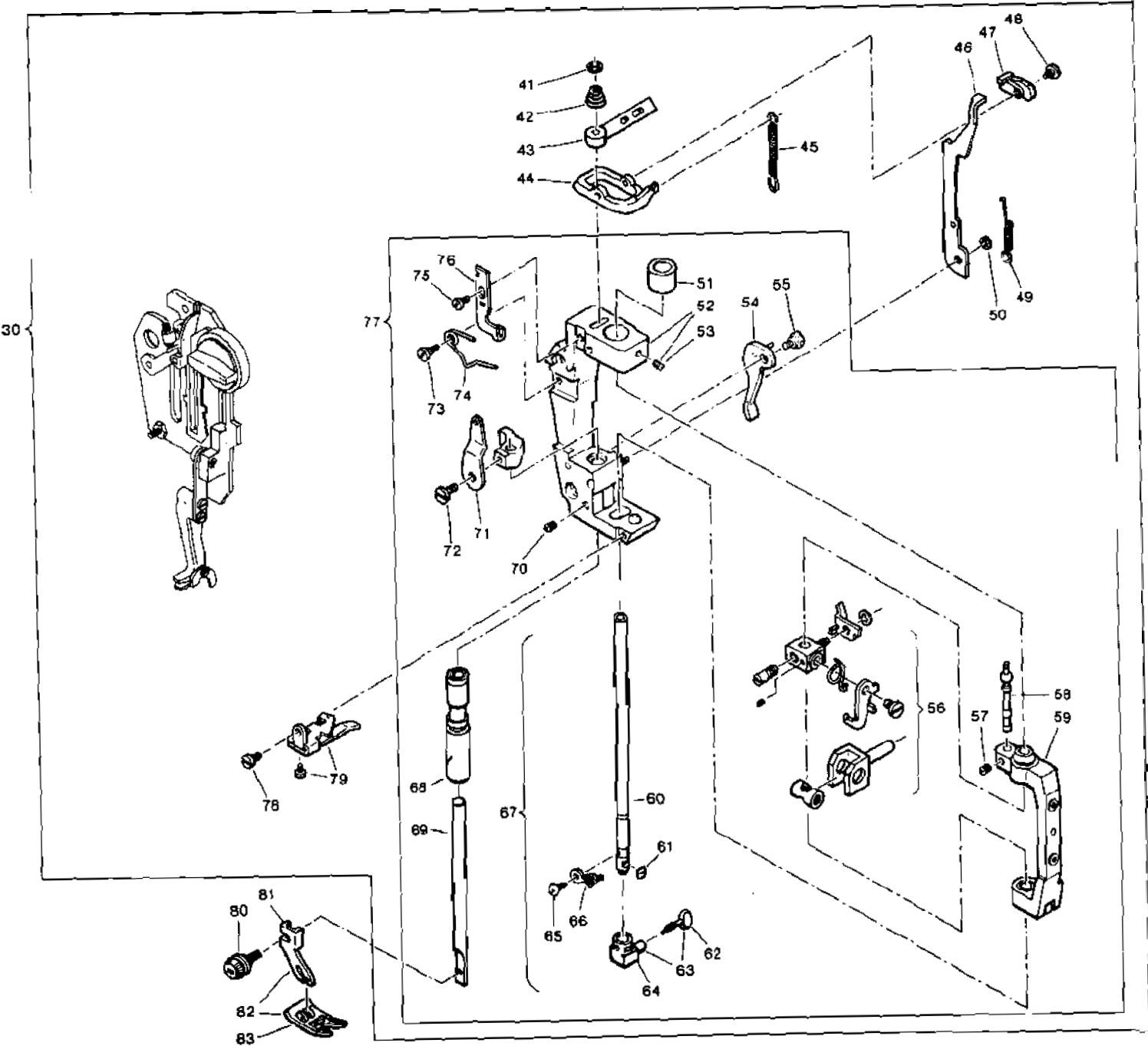
# HEAD END MOOULE — 601

| REF. | PART NO.   | DESCRIPTION   | REF. | PART NO.   | DESCRIPTION   |
|------|------------|---|------|------------|---|
| 01   | 141024-814 | NEEDLE BAR HIGH LIFT RELEASING BRACKET ADJUSTING BRACKET SCREW.             | 21   | 383449     | NEEDLE THREADER STEM.   |
| 02   | 383358     | PRESSER BAR PRESSURE REGULATING DIAL MOUNTING PLATE.                        | 22   | 383464     | NEEDLE THREADER STEM LOCATING BRACKET SLIDE BLOCK.  |
| 03   | 383317     | PRESSER BAR SPRING.   | 23   | 354585-451 | BUTTONHOLER SWITCH SCREW STUD.  |
| 04   | 182150     | PRESSER BAR SPRING RETAINING RING.  | 24   | 383397-451 | PRESSER BAR PRESSURE REGULATING DIAL (PLASTIC, WITH GRAPHICS).                                  |
| 05   | 383330     | PRESSER BAR PRESSURE REGULATING DIAL MOUNTING PLATE.                        | 25   | 151576     | PRESSER BAR PRESSURE REGULATING LEVER RETAINING RING.   |
| 06   | 383363     | NEEDLE BAR CLAMPING & GUIDE SCREW SLEEVE (PLASTIC).                         | 26   | 354046-451 | PRESSER BAR PRESSURE REGULATING LEVER ADJUSTING SCREW (354046-452 WITH FUSED PLASTIC MATERIAL). |
| 07   | 354728-451 | NEEDLE THREADER STEM LOCATING BRACKET SLIDE BLOCK SCREW.                    | 27   | 383361     | PRESSER BAR PRESSURE REGULATING LEVER.  |
| 08   | 383444     | NEEDLE THREADER STEM LOCATING BRACKET SLIDE BLOCK POSITIONING SPRING.       | 28   | 383410     | BUTTONHOLER SWITCH MOUNTING BRACKET.  |
| 09   | 354717-451 | NEEDLE THREADER STEM LOCATING BRACKET SLIDE BLOCK POSITIONING SPRING SCREW. | 29   | 141024-814 | PRESSER BAR PRESSURE REGULATING DIAL MOUNTING PLATE SCREW.                                      |
| 10   | 383455     | NEEDLE THREADER STEM LOCATING BRACKET HINGE STUD.                           | 30   | 383328     | HEAD END MOOULE.  |
| 11   | 383456     | NEEDLE THREADER STEM LOCATING BRACKET SPRING.                               | 31   | 382942     | BUTTONHOLER KICK-OUT TRIPPING ROD LEVER.  |
| 12   | 383431     | NEEDLE THREADER STEM LOCATING BRACKET HINGE STUD SPRING WASHER.             | 32   | 382947     | BUTTONHOLER SWITCH SCREW STUD WASHER.   |
| 13   | 383458     | NEEDLE THREADER STEM LOCATING BRACKET SLIDE BLOCK (PLASTIC).                | 33   | 54600-451  | BUTTONHOLER SWITCH SCREW STUD NUT.  |
| 14   | 507563     | NEEDLE THREADER STEM LOCATING BRACKET HINGE STUD RETAINING RING.            | 34   | 354762-451 | BUTTONHOLER SWITCH LOCKING SCREW.   |
| 15   | 383454     | NEEDLE THREADER STEM LOCATING BRACKET.                                      | 35   | 805395-001 | BUTTONHOLER SWITCH & LEADS ASSEMBLY.  |
| 16   | 354141-452 | NEEDLE THREADER STEM SCREW.   | 36   | 383405     | HARNESS GROMMET RETAINING CLIP.   |
| 17   | 383409     | NEEDLE THREADER STEM (383409-700 MACHINED).                                 | 37   | 354026-451 | NEEDLE BAR VIBRATING BRACKET FRAME SCREW (LOWER).   |
| 18   | 383440     | NEEDLE THREADER STEM THREAD CLAMP SPRING.                                   | 38   | 354025-451 | NEEDLE BAR VIBRATING BRACKET FRAME POSITIONING & HINGE SCREW (UPPER).                           |
| 19   | 383408     | NEEDLE THREADER STEM THREAD CLAMP.  | 39   | 101860-451 | NEEDLE BAR VIBRATING BRACKET FRAME POSITIONING & HINGE SCREW (UPPER) WASHER.                    |
| 20   | 354709-451 | NEEDLE THREADER STEM THREAD CLAMP SCREW.                                    | 40   | 931055-076 | NEEDLE BAR VIBRATING BRACKET FRAME SCREW (LOWER) WASHER.  |

# HEAD END DUPE - 601



HEAD END MODULE — 601



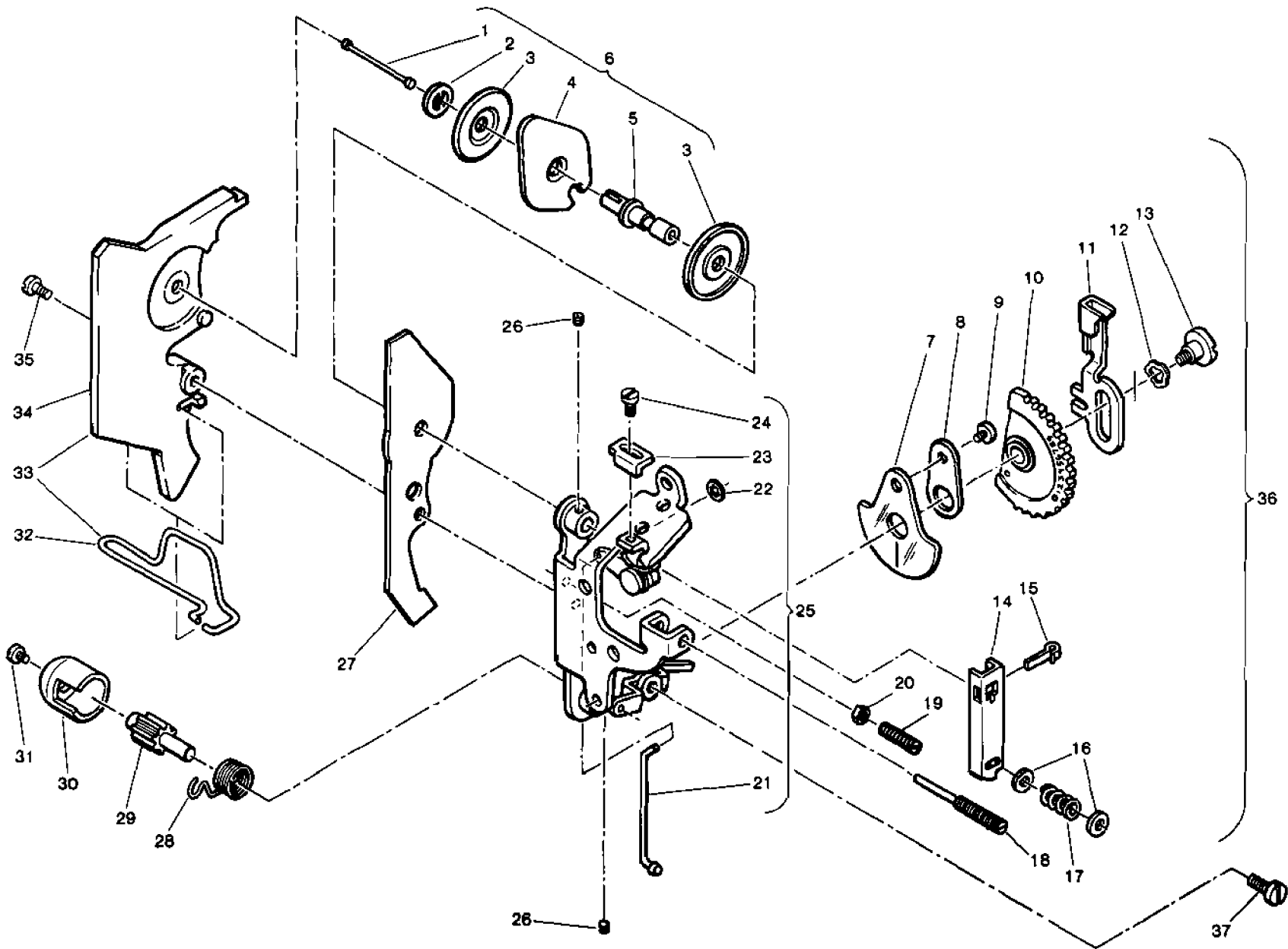
HEAD END MODULE — 801

| REF. | PART NO.   | DESCRIPTION   | REF. | PART NO.   | DESCRIPTION   |
|------|------------|---|------|------------|---|
| 41   | 381726     | NEEDLE BAR DRIVING ARM BALL JOINT RETAINING RING.                               | 62   | 140751-853 | NEEDLE THUMB SCREW.   |
| 42   | 382602     | NEEDLE BAR DRIVING ARM BALL JOINT SPRING.                                       | 63   | 143123     | NEEDLE CLAMP BODY.  |
| 43   | 382600     | NEEDLE BAR DRIVING ARM BALL JOINT (PLASTIC).                                    | 64   | 163122     | NEEDLE CLAMP BODY.  |
| 44   | 382229     | NEEDLE BAR HIGH LIFT RELEASING BRACKET ADJUSTING BRACKET (382229-900 MACHINED). | 65   | 354708-451 | NEEDLE CLAMP BODY, NEEDLE CLAMP THREAD GUIDE & NEEDLE STOP SCREW. |
| 45   | 381586     | NEEDLE BAR LIFTING SPRING.  | 66   | 163431     | NEEDLE CLAMP THREAD GUIDE*  |
| 46   | 383319     | NEEDLE BAR HIGH LIFT RELEASING BRACKET.   | 67   | 383463     | NEEDLE BAR.   |
| 47   | 383061     | NEEDLE BAR HIGH LIFT RELEASING BRACKET RETAINER (PLASTIC).                      | 68   | 181947     | PRESSER BAR BUSHING.  |
| 48   | 354618-452 | NEEDLE BAR HIGH LIFT RELEASING BRACKET RETAINER SCREW.                          | 69   | 383097     | PRESSER BAR (MOLLO).  |
| 49   | 383364     | NEEDLE BAR HIGH LIFT RELEASING BRACKET SPRING.                                  | 70   | 354186-451 | PRESSER BAR BUSHING SET SCREW.                                    |
| 50   | 14494      | NEEDLE BAR LIFTING SPRING RETAINING RING.                                       | 71   | 383318     | PRESSER BAR SPRING LEVER GUIDE LINK.                              |
| 51   | 382374     | NEEDLE BAR VIBRATING BRACKET BUSHING (UPPER) (181666-900 MACHINED).             | 72   | 354696-451 | PRESSER BAR GUIDE BRACKET SET SCREW & GUIDE LINK HINGE SCREW.     |
| 52   | 383368     | NEEDLE BAR VIBRATING BRACKET FRAME.   | 73   | 354119-451 | NEEDLE BAR RECOIL SPRING SCREW.                                   |
| 53   | 141891-830 | NEEDLE BAR VIBRATING BRACKET BUSHING (UPPER) SET SCREW.                         | 74   | 383366     | NEEDLE BAR RECOIL SPRING.   |
| 54   | 313265     | PRESSER BAR LIFTER.   | 75   | 354121-451 | NEEDLE BAR RECOIL SPRING BRACKET (ADJUSTABLE) SCREW.              |
| 55   | 354010-451 | PRESSER BAR LIFTER HINGE SCREW.   | 76   | 383367     | NEEDLE BAR RECOIL SPRING BRACKET (ADJUSTABLE).                    |
| 56   | 383355     | NEEDLE BAR LATCH CARRIER COMPL.   | 77   | 383329     | NEEDLE BAR VIBRATING BRACKET FRAME.                               |
| 57   | 354063-451 | NEEDLE BAR VIBRATING BRACKET BALL STUD SET SCREW.                               | 78   | 354160-451 | THREAD SNUBBER MOUNTING SCREW.                                    |
| 58   | 382401     | NEEDLE BAR VIBRATING BRACKET BALL STUD (382401-900 MACHINED).                   | 79   | 382769     | THREAD SNUBBER.   |
| 59   | 382071     | NEEDLE BAR VIBRATING BRACKET.   | 80   | 181919     | PRESSER FOOT THUMB SCREW & BOBBIN WINDER THREAD HOLDER.           |
| 60   | 181651     | NEEDLE BAR (181651-901 MACHINED).   | 81   | 163706     | PRESSER FOOT (SNAP-ON) (163706-902 MACHINED).                     |
| 61   | 163822     | NEEDLE BAR GIB.   | 82   | 382347     | PRESSER FOOT (SNAP-ON) COMPL. FOR ZIG-ZAG SEWING (6 MM.).         |
|      |            |   | 83   | 181688     | PRESSER FOOT PLATE (SNAP-ON) FOR ZIG-ZAG SEWING (6 MM.).          |

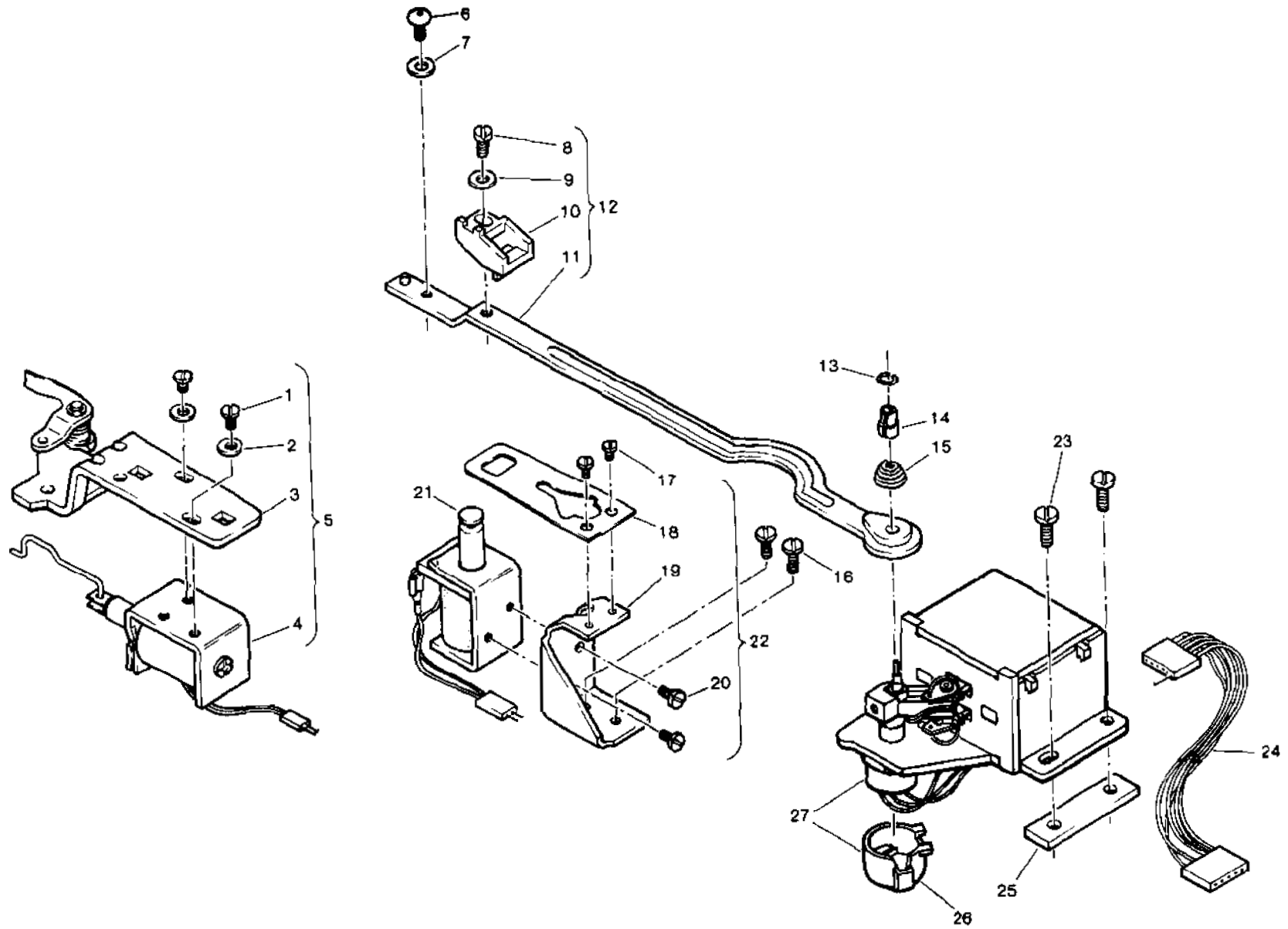
## TENSION MODULE — 101

| REF. | PART NO.   | DESCRIPTION  | REF. | PART NO.   | DESCRIPTION  |
|------|------------|--|------|------------|--|
| 01   | 101057     | TENSION DISC PRESSURE PIN (101057-900 PLATED).               | 20   | 53637-803  | TENSION REGULATING SLIDE POSITIONING SCREW NUT.                          |
| 02   | 174398     | TENSION DISC PRESSURE PLATE.                                 | 21   | 381582     | TENSION RELEASE LEVER CONNECTION (381582-900 HARDENED).                  |
| 03   | 382586     | TENSION DISC (SMALL).  | 22   | 171272     | TENSION RELEASE LEVER CONNECTION RETAINING RING.                         |
| 04   | 382603     | TENSION DISC (LARGE).  | 23   | 381719     | TENSION RELEASE LEVER ADJUSTING PLATE.                                   |
| 05   | 382587     | TENSION STUD.  | 24   | 141062-014 | TENSION RELEASE LEVER ADJUSTING PLATE SCREW.                             |
| 06   | 382211     | TENSION STUD.  | 25   | 382079     | TENSION MOUNTING BRACKET.  |
| 07   | 182222     | TENSION INDICATOR (PLASTIC).                                 | 26   | 354048-451 | TENSION STUD SET SCREW.  |
| 08   | 341933     | TENSION INDICATOR SPACER.                                    | 27   | 383281-451 | TENSION THREAD GUARD (383281-900 PAINTED).                               |
| 09   | 141697-814 | TENSION INDICATOR SCREW.                                     | 28   | 181872     | THREAD TAKE-UP SPRING.   |
| 10   | 383343-451 | TENSION INDICATOR DIAL (PLASTIC) (383343-900 WITH GRAPHICS). | 29   | 181875     | THREAD TAKE-UP SPRING STUD 6 POSITION COLLAR.                            |
| 11   | 181854     | TENSION REGULATING SLIDE.                                    | 30   | 181861-451 | THREAD TAKE-UP SPRING CAP & SLACK THREAD REGULATOR (PLASTIC).            |
| 12   | 506479     | TENSION INDICATOR DIAL HINGE SCREW FRICTION WASHER.          | 31   | 354049-451 | THREAD TAKE-UP SPRING ADJUSTING SCREW.                                   |
| 13   | 354422-451 | TENSION INDICATOR DIAL WING SCREW.                           | 32   | 381883     | THREAD TAKE-UP SPRING THREAD GUARD BAR (381663-400 HARDENED & TEMPERED). |
| 14   | 181855     | TENSION REGULATING SLIDE PLATE.                              | 33   | 383283-451 | THREAD TAKE-UP SPRING THREAD GUARD.                                      |
| 15   | 172906     | TENSION REGULATING SLIDE PLATE SPRING CLIP.                  | 34   | 383282-451 | THREAD TAKE-UP SPRING THREAD GUARD (PLASTIC).                            |
| 16   | 172131     | TENSION ADJUSTING SCREW WASHER.                              | 35   | 354238-451 | THREAD TAKE-UP SPRING THREAD GUARD SCREW.                                |
| 17   | 181877     | TENSION SPRING.  | 36   | 383279-451 | TENSION MODULE.  |
| 18   | 181873-454 | TENSION ADJUSTING SCREW.                                     | 37   | 354419-451 | TENSION RELEASE LEVER ACTUATOR HINGE BUSHING SUPPORT SCREW.              |
| 19   | 354167-451 | TENSION REGULATING SLIDE POSITIONING SCREW.                  |      |            |  |

TENSION ROLLER ASSEMBLY - 101



# ELECTRONICS FOR BIGHT DRIVE LINEAR MOTOR — 66





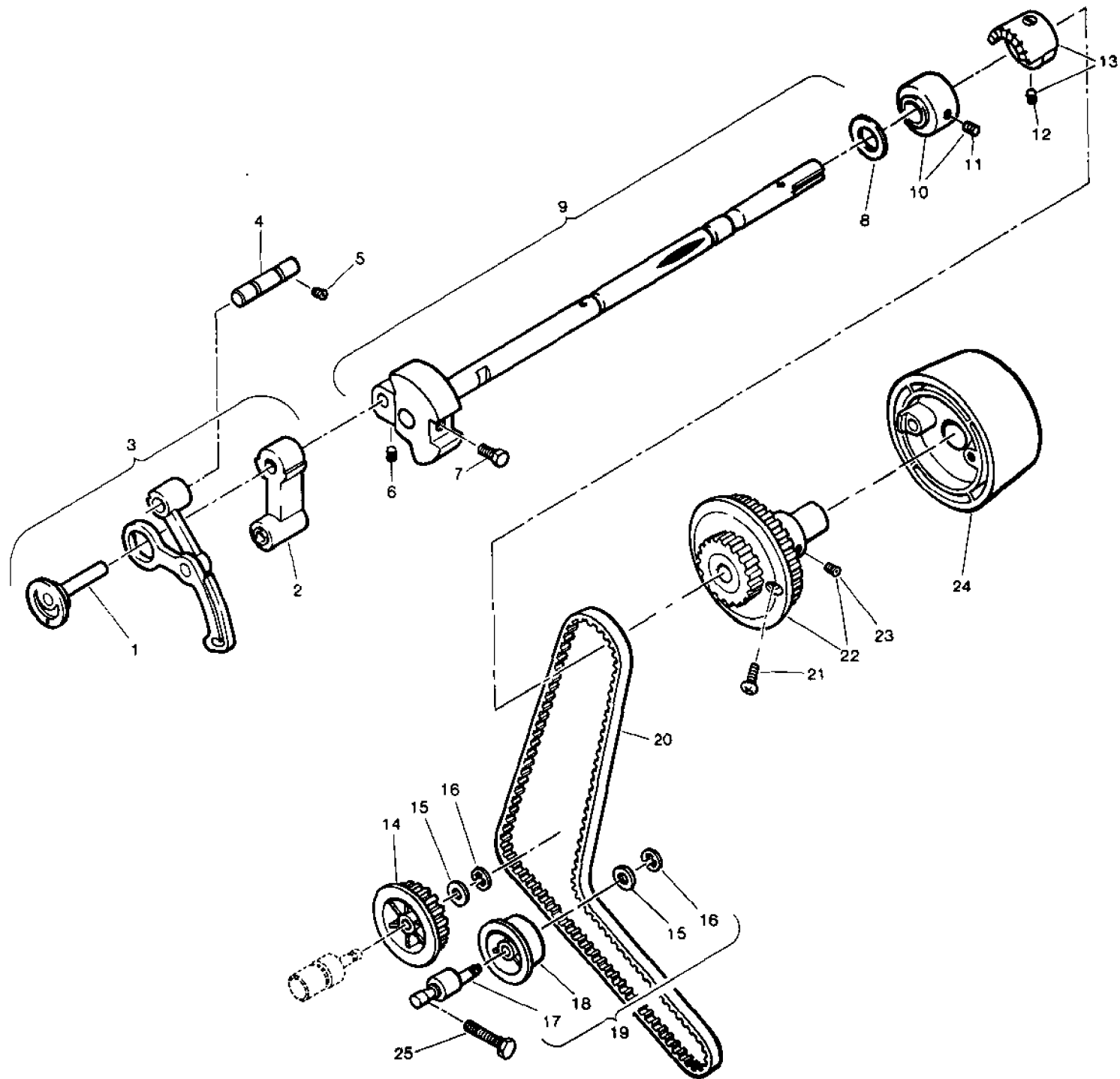
ELECTRONICS FOR BIGHT DRIVE LINEAR MOTOR — 66

| REF. | PART NO.   | DESCRIPTION   |
|------|------------|---|
| 01   | 354121-451 | NEEDLE BAR RELEASE SOLENOID MOUNTING SCREW.                         |
| 02   | 931868-008 | NEEDLE BAR RELEASE SOLENOID MOUNTING SCREW WASHER.                  |
| 03   | 383262     | NEEDLE BAR RELEASE MECHANISM MOUNTING BRACKET ASSEMBLY.             |
| 04   | 383291     | NEEDLE BAR RELEASE SOLENOID ASSEMBLY*                               |
| 05   | 383263     | NEEDLE BAR RELEASE MECHANISM MOUNTING BRACKET COMPL..               |
| 06   | 354232-451 | NEEDLE BAR DRIVING ARM BALL JOINT SCREW.                            |
| 07   | 931929-004 | NEEDLE BAR DRIVING ARM BALL JOINT SCREW WASHER.                     |
| 08   | 354267-451 | NEEDLE BAR DRIVING ARM POSITIONING STUD MOUNTING SCREW.             |
| 09   | 931868-008 | NEEDLE BAR DRIVING ARM POSITIONING STUD MOUNTING SCREW WASHER.      |
| 10   | 383342     | NEEDLE BAR DRIVING ARM POSITIONING STUD (PLASTIC).                  |
| 11   | 383306     | NEEDLE BAR DRIVING ARM WITH MOLOED PLASTIC SOCKET.                  |
| 12   | 383421     | NEEDLE BAR DRIVING ARM.   |
| 13   | 383524     | NEEDLE BAR DRIVING ARM RETAINING SLEEVE CLAMPING RING.              |
| 14   | 383525     | NEEDLE BAR DRIVING ARM RETAINING SLEEVE (PLASTIC).                  |
| 15   | 382602     | NEEDLE BAR DRIVING ARM FRICTION SPRING.                             |
| 16   | 354090-451 | NEEDLE BAR DRIVING ARM POSITIONING SOLENOID MOUNTING BRACKET SCREW. |
| 17   | 354037-451 | NEEDLE BAR DRIVING ARM POSITIONING LEVER MOUNTING SCREW.            |
| 18   | 382639     | NEEDLE BAR DRIVING ARM POSITIONING LEVER*                           |
| 19   | 382935     | NEEDLE BAR DRIVING ARM POSITIONING SOLENOID MOUNTING BRACKET.       |
| 20   | 354121-451 | NEEDLE BAR DRIVING ARM POSITIONING SOLENOID MOUNTING SCREW.         |
| 21   | 382640     | STRAIGHT STITCH SAFETY SOLENOID PLUNGER.                            |
| 22   | 382936     | NEEDLE BAR DRIVING ARM POSITIONING SOLENOID COMPL..                 |
| 23   | 354147-451 | BIGHT DRIVE LINEAR MOTOR MOUNTING SCREW.                            |
| 24   | 605632-001 | HARNES COMPL. (BIGHT MOTOR TO SERVO P.C. BOARD) (NO. Z6 AWG).       |
| 25   | 383452     | BIGHT DRIVE LINEAR MOTOR SPACER.                                    |
| 26   | 382909     | BIGHT DRIVE LINEAR MOTOR POTENTIOMETER CAP (PLASTIC).               |
| 27   | 312331     | BIGHT DRIVE LINEAR MOTOR ASSEMBLY.                                  |

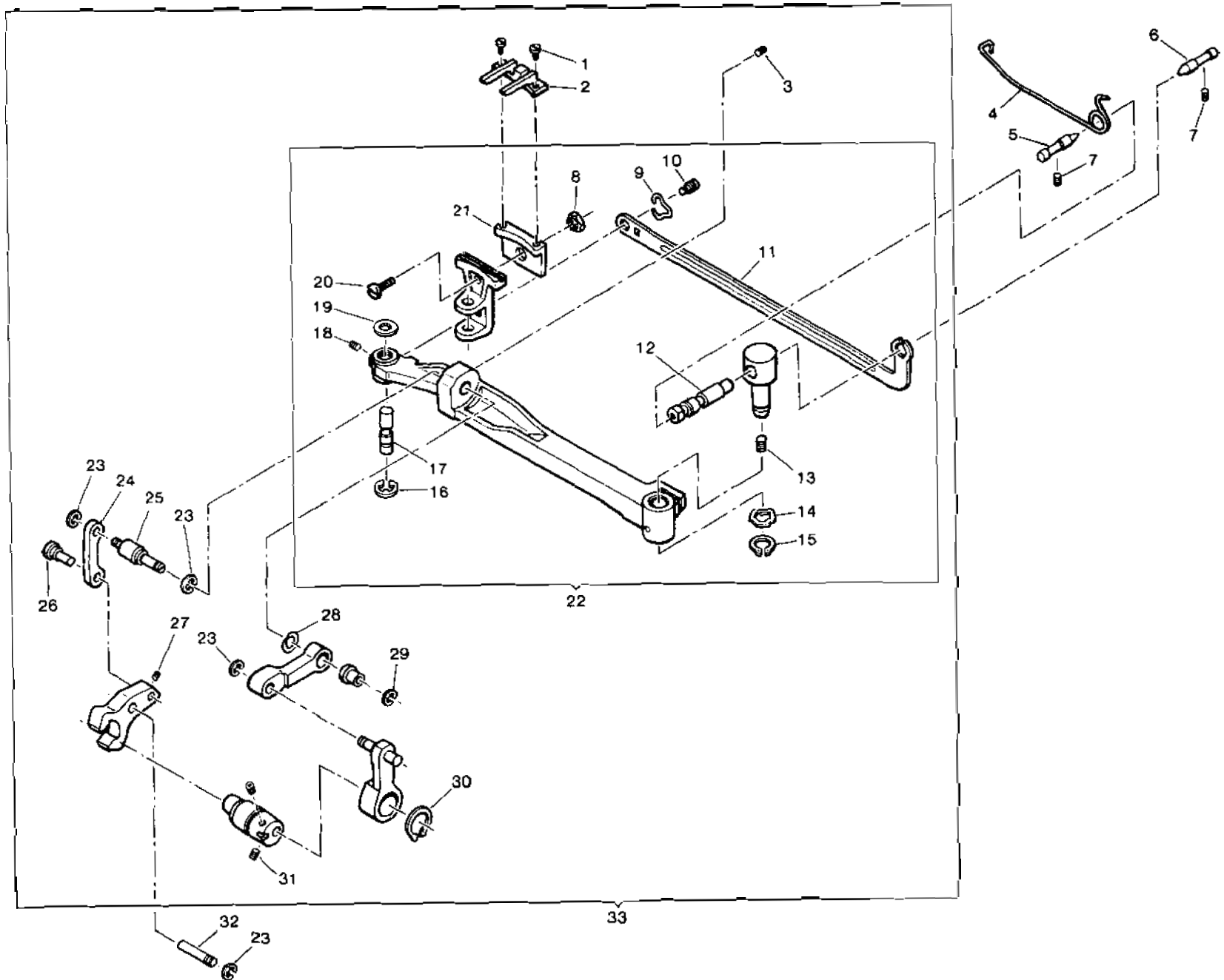
# NEEDLE BAR DRIVE AND HAND WHEEL — 591

| REF. | PART NO.   | DESCRIPTION                                       |
|------|------------|---|
| 01   | 383286     | THREAD TAKE-UP CRANK (PLASTIC).                   |
| 02   | 383267     | NEEDLE BAR CONNECTING LINK (383267-900 MACHINED). |
| 03   | 383280     | THREAD TAKE-UP LEVER.                             |
| 04   | 181625     | THREAD TAKE-UP LEVER LINK HINGE STUD.             |
| 05   | 354328-451 | THREAD TAKE-UP LEVER LINK HINGE STUD SET SCREW.   |
| 06   | 354565-451 | THREAD TAKE-UP CRANK SET SCREW.                   |
| 07   | 139999-451 | NEEDLE BAR CRANK POSITION SCREW.                  |
| 08   | 181620     | NEEDLE BAR CRANK WASHER (PLASTIC).                |
| 09   | 383234     | ARM SHAFT (HORIZONTAL).                           |
| 10   | 383252     | ARM SHAFT (HORIZONTAL) COLLAR.                    |
| 11   | 354565-451 | ARM SHAFT (HORIZONTAL) COLLAR SET SCREW.          |
| 12   | 354506-451 | SHUNT HOLDER SET SCREW.                           |
| 13   | 382784     | SHUNT ASSEMBLY.                                   |
| 14   | 382254     | BELT IDLER PULLEY (LARGE, PLASTIC).               |
| 15   | 302787     | BELT IDLER PULLEY (SMALL) THRUST WASHER.          |
| 16   | 151576     | BELT IDLER PULLEY (SMALL) RETAINING RING.         |
| 17   | 382256     | BELT IDLER PULLEY (SMALL) STUD (ECCENTRIC).       |
| 18   | 312255     | BELT IDLER PULLEY (SMALL, PLASTIC).               |
| 19   | 382632     | BELT IDLER PULLEY (SMALL) STUD (ECCENTRIC).       |
| 20   | 181732     | BELT (ROTATING HOOK DRIVE).                       |
| 21   | 354317-451 | HAND WHEEL SCREW.                                 |
| 22   | 382320     | HAND WHEEL PULLEY.                                |
| 23   | 354201-451 | HAND WHEEL PULLEY SET SCREW.                      |
| 24   | 382319-454 | HAND WHEEL.                                       |
| 25   | 354731-451 | BELT IDLER PULLEY (SMALL) STUD (ECCENTRIC) SCREW. |

# NEEDLE BAR DRIVE AND HAND WHEEL — 591



# FEED DRIVE MECHANISM — 053



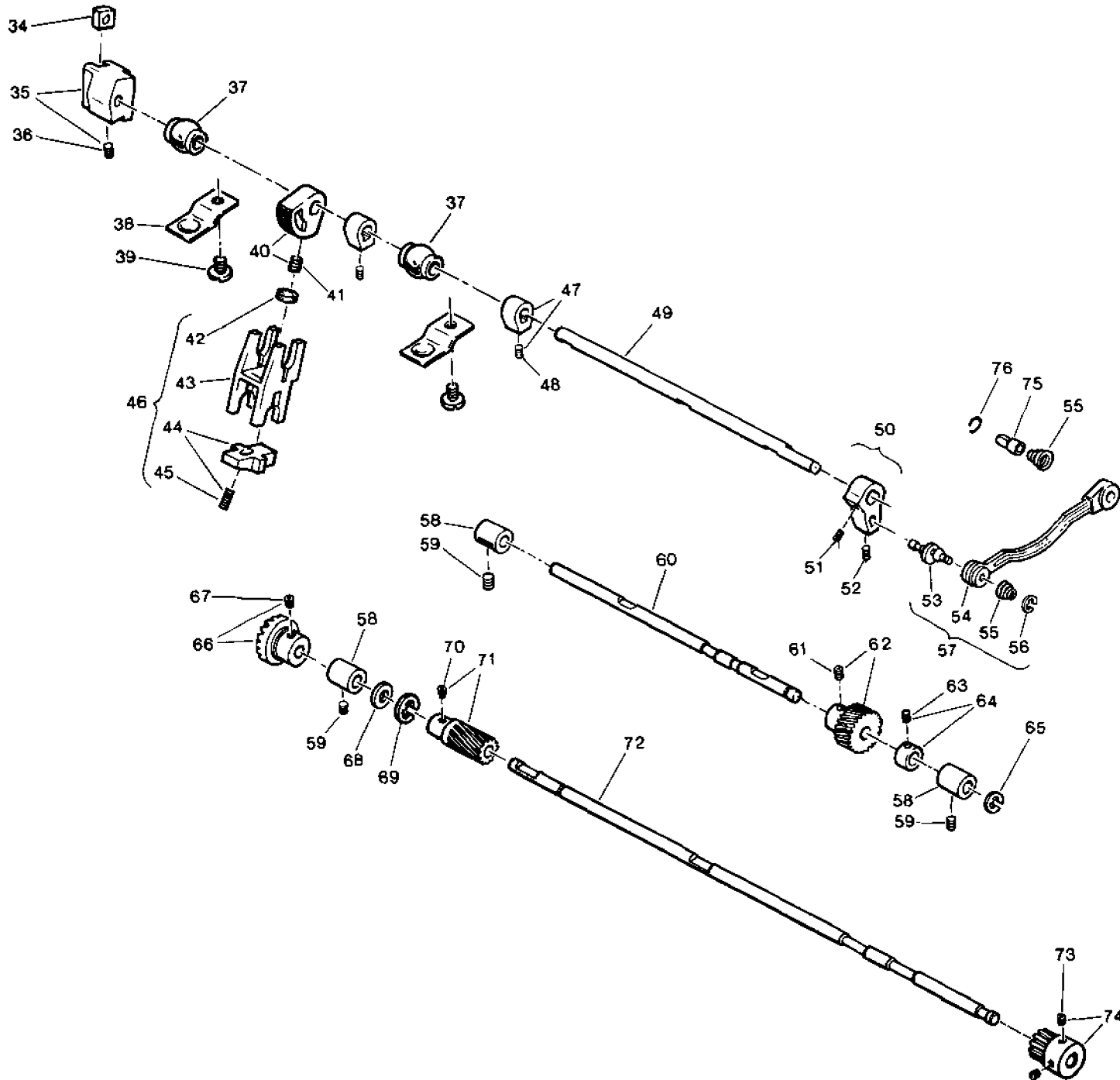
# FEED DRIVE MECHANISM — 053

| REF. | PART NO.   | DESCRIPTION  | REF. | PART NO.   | DESCRIPTION   |
|------|------------|--|------|------------|---|
| 01   | 354719-451 | FEED DOG SCREW.  | 17   | 174217     | FEED DOG HOLOER STUD.   |
| 02   | 383334     | FEED DOG (383334-900 WITH URETHANE COATING).   | 18   | 139070-869 | FEED DOG HOLDER STUD SET SCREW.   |
| 03   | 141812-451 | FEED BAR CONNECTION & FEED LIFTING FORK CONNECTION HINGE STUD (ECCENTRIC) SET SCREW. | 19   | 174251     | FEED DOG HOLOER WASHER.   |
| 04   | 182239     | FEED BAR SPRING.   | 20   | 354724-451 | FEED DOG HOLDER BRACKET SCREW.  |
| 05   | 182199     | FEED BAR PIVOT HINGE STUD ADJUSTING PIN (ECCENTRIC) CENTER (FRONT).                  | 21   | 383430     | FEED DOG HOLDER BRACKET (383430-900 MACHINED).  |
| 06   | 382722     | FEED BAR PIVOT HINGE STUD ADJUSTING PIN (ECCENTRIC) CENTER (BACK).                   | 22   | 383280     | FEED BAR ASSEMBLY.  |
| 07   | 354163-451 | FEED BAR PIVOT HINGE STUD ADJUSTING PIN (ECCENTRIC) CENTER (BACK) SET SCREW.         | 23   | 163562     | FEED BAR CONNECTION & FEED LIFTING FORK CONNECTION HINGE STUD (ECCENTRIC) RETAINING RING. |
| 08   | 179749-451 | FEED DOG HOLDER BRACKET SCREW NUT.   | 24   | 511016     | FEED LIFTING FORK CONNECTION.   |
| 09   | 511075     | FEED DOG HOLDER COMPENSATING LINK RETAINING SPRING.                                  | 25   | 174247     | FEED BAR CONNECTION & FEED LIFTING FORK CONNECTION HINGE STUD (ECCENTRIC).                |
| 10   | 141827-803 | FEED DOG HOLDER COMPENSATING LINK SCREW STUD.  | 26   | 174220     | FEED LIFTING FORK CONNECTION HINGE STUD (ECCENTRIC).                                      |
| 11   | 174216     | FEED DOG HOLDER COMPENSATING LINK (174216-900 HARDENED & WITH BLACK OXIDE FINISH).   | 27   | 141802-869 | FEED LIFTING FORK CONNECTION HINGE STUD (ECCENTRIC) SET SCREW.                            |
| 12   | 381833     | FEED BAR PIVOT HINGE STUD ADJUSTING PIN (ECCENTRIC) (174249-900 MACHINED).           | 28   | 172947     | FEED BAR CONNECTION & FEED LIFTING FORK CONNECTION HINGE STW (ECCENTRIC) SPRING WASHER.   |
| 13   | 141801-451 | FEED BAR PIVOT HINGE STUD LOCK SCREW.  | 29   | 151576     | FEED BAR CONNECTION RETAINING RING (LEFT).  |
| 14   | 511211     | FEED BAR PIVOT HINGE STUD SPRING WASHER.   | 30   | 174277     | FEED REGULATOR SLIDE BLOCK DRIVE CONNECTION RETAINING RING.                               |
| 15   | 172876     | FEED BAR PIVOT HINGE STUD RETAINING RING.  | 31   | 141802-869 | FEED LIFTING CAM & FEED ECCENTRIC SET SCREW.  |
| 16   | 163562     | FEED DOG HOLDER STUD RETAINING RING.   | 32   | 511057     | FEED LIFTING FORK HINGE STUD.   |
|      |            |  | 33   | 383335     | FEED BAR COMPL.   |

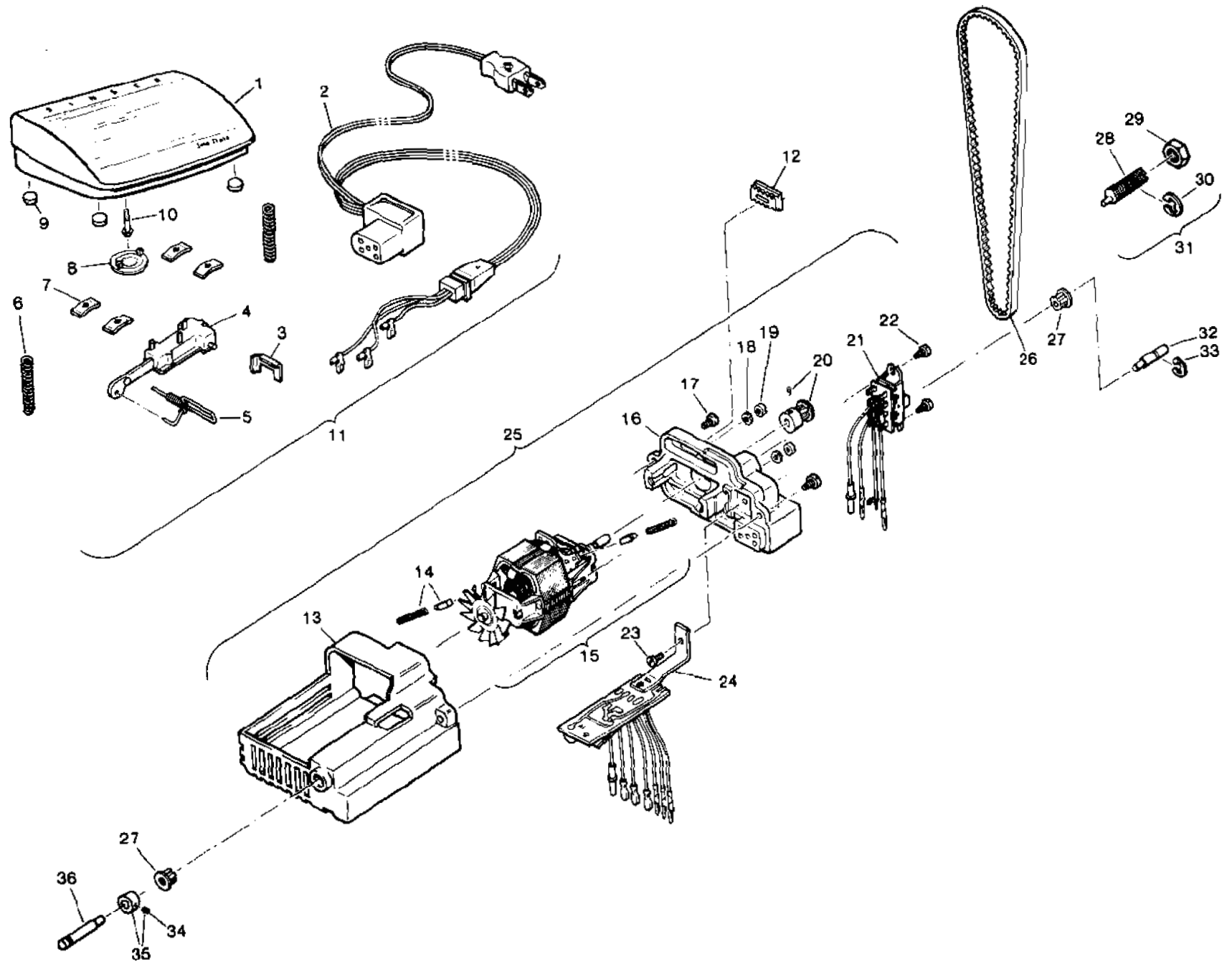
## FEED DRIVE MECHANISM — 053

| REF. | PART NO.   | DESCRIPTION  | REF. | PART NO.   | DESCRIPTION   |
|------|------------|--|------|------------|---|
| 34   | 511030     | FEED REGULATOR SLIDE BLOCK.  | 55   | 382602     | FEED REGULATOR SHAFT CRANK CONNECTING LINK FRICTION SPRING (FRONT).               |
| 35   | 382918     | FEED REGULATOR.  | 56   | 381726     | FEED REGULATOR SHAFT CRANK CONNECTING LINK RETAINING RING (FRONT).                |
| 36   | 141818-869 | FEED REGULATOR SET SCREW.  | 57   | 383278     | FEED REGULATOR SHAFT CRANK CONNECTING LINK.                                       |
| 37   | 383258     | FEED REGULATOR SHAFT BUSHING (SELF-ALIGNING).                          | 58   | 383011     | FEED DRIVE SHAFT BUSHING (LEFT & RIGHT).  |
| 38   | 383259     | FEED REGULATOR SHAFT BUSHING CLAMP.                                    | 59   | 139878-869 | FEED DRIVE SHAFT BUSHING (LEFT & RIGHT) SET SCREW.                                |
| 39   | 354121-451 | FEED REGULATOR SHAFT BUSHING CLAMP SCREW.                              | 60   | 383028     | FEED DRIVE SHAFT.   |
| 40   | 383079     | FEED REGULATOR SHAFT BRAKE-  | b1   | 141338-869 | FEED DRIVE SHAFT GEAR (HELICAL, PLASTIC) SET SCREW.                               |
| 41   | 354660-451 | FEED REGULATOR SHAFT BRAKE SET SCREW.                                  | 62   | 383273     | FEED DRIVE SHAFT GEAR (HELICAL, PLASTIC).   |
| 42   | 383084     | FEED REGULATOR SHAFT BRAKE GUIDE FRICTION PAD.                         | 63   | 141802-869 | FEED DRIVE SHAFT RETAINING COLLAR SET SCREW.                                      |
| 43   | 383002     | FEED REGULATOR SHAFT BRAKE GUIDE (PLASTIC).                            | 64   | 171235     | FEED DRIVE SHAFT RETAINING COLLAR WITH SCREW.                                     |
| 44   | 383130     | FEED REGULATOR SHAFT BRAKE ADJUSTING BLOCK.                            | 65   | 163562     | FEED DRIVE SHAFT RETAINING RING.  |
| 45   | 354643-451 | FEED REGULATOR SHAFT BRAKE ADJUSTING BLOCK SET SCREW.                  | 66   | 382877     | ROTATING HOOK DRIVE SHAFT BEVEL GEAR (PLASTIC).                                   |
| 46   | 303594     | FEED REGULATOR SHAFT BRAKE GUIDE.                                      | 67   | 141338-869 | ROTATING HOOK DRIVE SHAFT BEVEL GEAR (PLASTIC) SET SCREW.                         |
| 47   | 181900     | FEED REGULATOR SHAFT COLLAR.   | 68   | 181957-451 | ROTATING HOOK DRIVE SHAFT THRUST WASHER.  |
| 48   | 141802-869 | FEED REGULATOR SHAFT COLLAR SET SCREW.                                 | 69   | 163562     | ROTATING HOOK DRIVE SHAFT THRUST WASHER RETAINING RING.                           |
| 49   | 303275     | FEED REGULATOR SHAFT-  | 70   | 141772-869 | FEED DRIVE SHAFT DRIVING GEAR (HELICAL, PLASTIC) SET SCREW.                       |
| 50   | 382296-001 | FEED REGULATOR SHAFT CRANK.  | 71   | 174488     | FEED DRIVE SHAFT DRIVING GEAR (HELICAL, PLASTIC).                                 |
| 51   | 139878-869 | FEED REGULATOR SHAFT CRANK SET SCREW.                                  | 72   | 181579     | ROTATING HOOK DRIVE SHAFT (181579-900 MACHINED).                                  |
| 52   | 354575-451 | FEED REGULATOR SHAFT CRANK HINGE STUD (ECCENTRIC) SET SCREW.           | 73   | 141338-869 | ROTATING HOOK DRIVE SHAFT BELT PULLEY SET SCREW.                                  |
| 53   | 382894     | FEED REGULATOR SHAFT CRANK HINGE STUD (ECCENTRIC).                     | 74   | 174282-001 | ROTATING HOOK DRIVE SHAFT BELT PULLEY.  |
| 54   | 383277     | FEED REGULATOR SHAFT CRANK CONNECTING LINK WITH MOLDED PLASTIC SOCKET. | 75   | 383525     | FEED REGULATOR SHAFT CRANK CONNECTING LINK RETAINING SLEEVE (BACK) (PLASTIC).     |
|      |            |  | 76   | 383526     | FEED REGULATOR SHAFT CRANK CONNECTING LINK RETAINING SLEEVE (BACK) CLAMPING RING. |

# FEED DRIVE MECHANISM — 053



# ELECTRICAL EQUIPMENT (110-120 VOLTS) — 6321



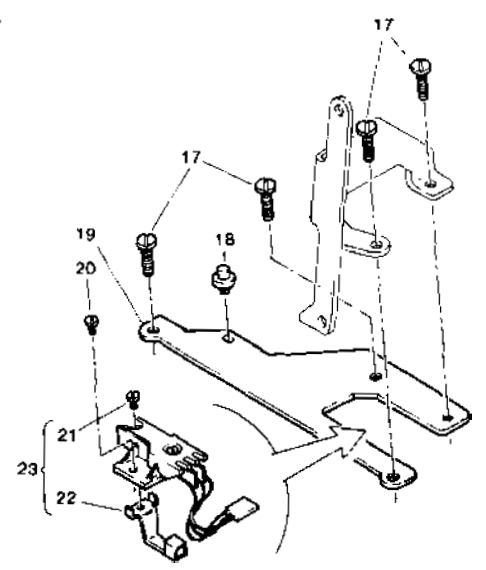
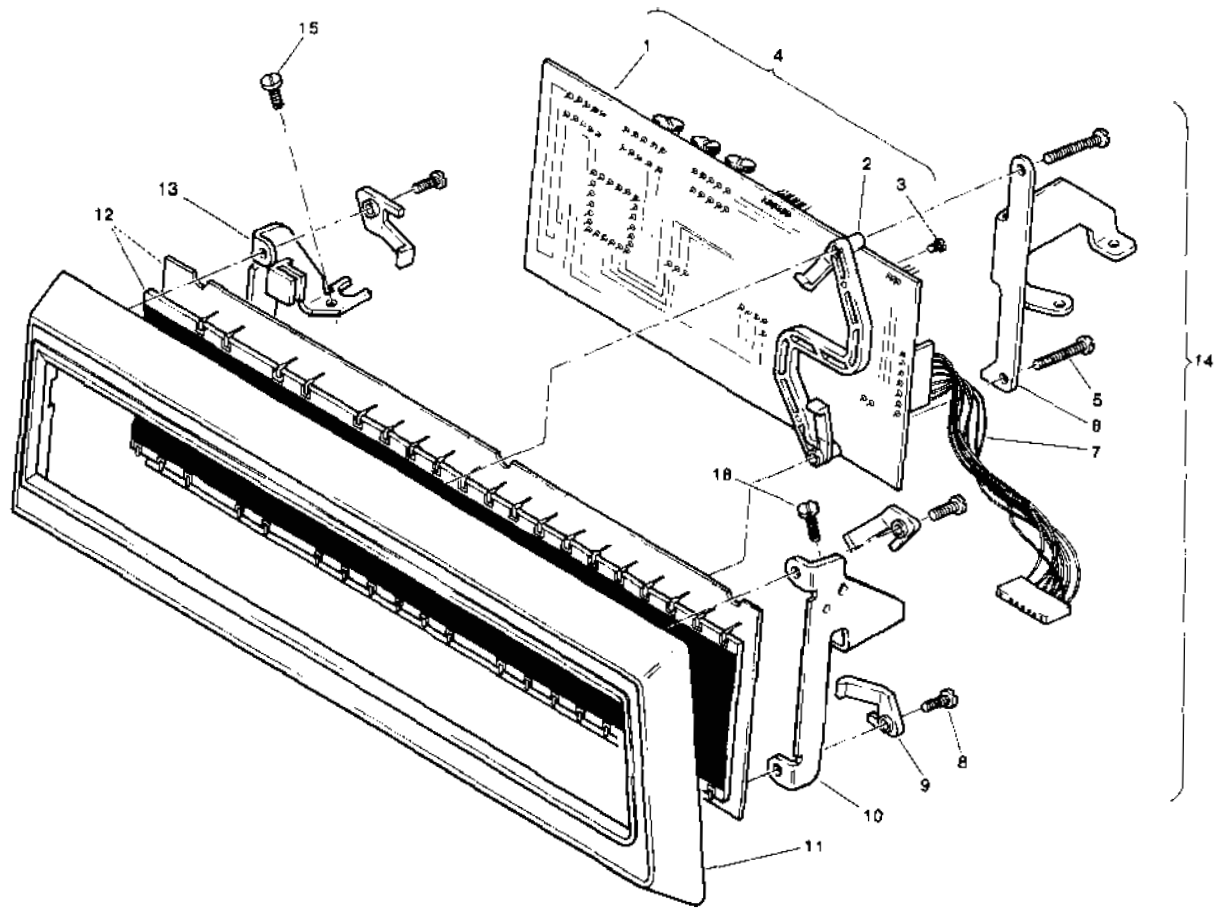


## ELECTRICAL EQUIPMENT (115-120 VOLTS) — 6321

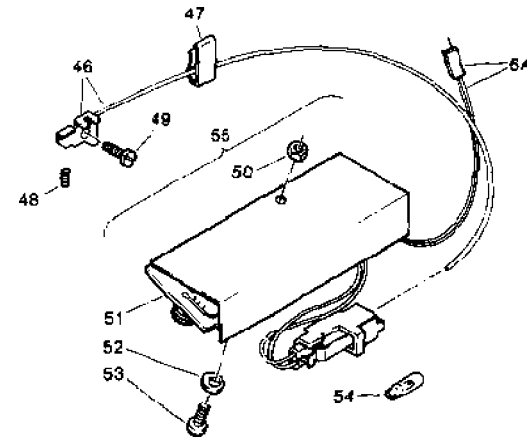
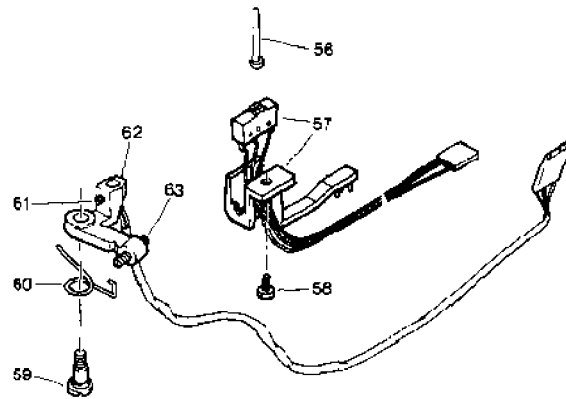
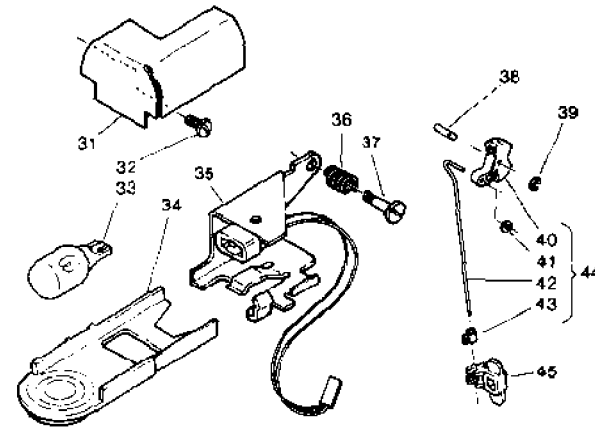
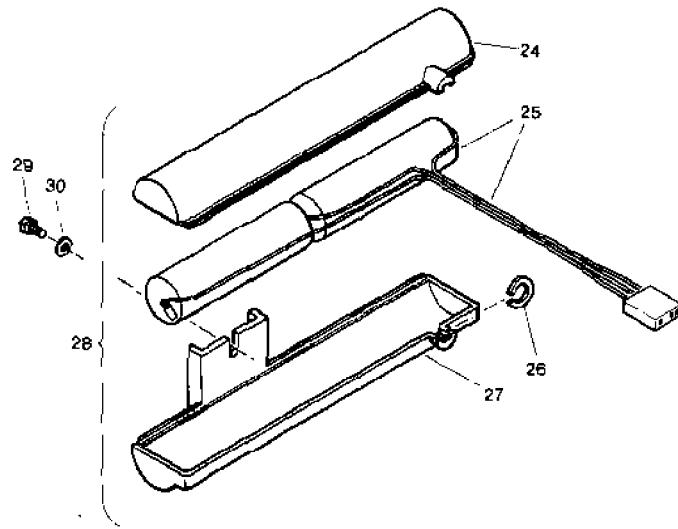
01 619489-003 BASE & PEDAL ASSEMBLED.  
 02 604278-001 CORD COMPL..  
 03 618813-001 STRAIN RELIEF CLIP.  
 04 604173-002 STRAIGHT LINE POTENTIOMETER.  
 05 619184-001 ACTUATING LEVER WITH TORSION SPRING.  
 06 618542-001 PEDAL RETURN SPRING.  
 07 618538-002 PUW-ON HUT.  
 08 619492-001 SNAP-OH PLUG.  
 09 619491-001 RUBBER FEET.  
 10 619192-001 SHOULDER SCREW\*  
 11 604280-001 CONTROLLER COMPLETE (CAT. NO. 5081.  
 12 604228-001 MOTOR ADJUSTING BLOCK.  
 13 605173-001 COVER\*  
 14 619434-002 BRUSH WITH SPRING.  
 15 605130-001 MOTOR MODULE.  
 16 605115-003 COMMUTATOR END HOUSING W/NAME PLATE.  
 17 618634-008 SELF TAPPING SCREW (COVER).  
 18 604018-001 WASNER.  
 19 603907-002 NUT.  
 20 604431-002 PULLEY COMPLETE W/SET SCREWS.  
 21 604783-001 SWITCH COMPLETE.  
 22 618634-004 SELF TAPPING SCREW (SWITCH).  
 23 618634-004 SELF TAPPING SCREW.  
 24 604787-001 CIRCUIT BOARD ASSEMBLY.  
 25 605129-001 MOTOR COMPLETE (CAT. NO. RA15-8).  
 26 603975-002 BELT MOTOR.  
 27 604229-001 BUSHING.  
 28 182009 MOTOR ADJUSTING STUD (ECCENTRIC).  
 29 54585-451 MOTOR ADJUSTING STUD (ECCENTRIC) JAM NUT.  
 30 151525 MOTOR ADJUSTING STUD (ECCENTRIC) RETAINING RING.  
 31 382482 MOTOR ADJUSTING STUD (ECCENTRIC).  
 32 382367 MOTOR HINGE PIN (RIGHT).  
 33 151527 MOTOR HINGE PIN (RIGHT) RETAINING RING.  
 34 141802-869 MOTOR HINGE PIN (LEFT) COLLAR SET SCREW.  
 35 381867 MOTOR HINGE PIN (LEFT) COLLAR.  
 36 381691 MOTOR HINGE PIN (LEFT).

## ELECTRONICS FOR LOGIC ELECTRICS AND CONTROL — 8

| REF. | PART NO.   | DESCRIPTION   |
|------|------------|---|
| 01   | 605324-005 | LOGIC BOARD ASSEMBLY.                                       |
| 02   | 383432     | TOUCH PANEL RETAINER AND LOGIC BOARD SPACER.                |
| 03   | 354735-151 | LOGIC BOARD SPACER FASTENING SCREW.                         |
| 04   | 605402-001 | LOGIC BOARD COMPLETE W/SPACER.                              |
| 05   | 354768-451 | CENTER BRACKET SCREW.                                       |
| 06   | 383390     | PATTERN SELECTION CARRIER MOUNTING BRACKET (CENTER).        |
| 07   | 605300-001 | HARNESS COMPL. TOUCH PANEL-LOGIC BOARD.                     |
| 08   | 354767-451 | LEFT & RIGHT BRACKET SCREW.                                 |
| 09   | 383418     | TOUCH PANEL RETAINING CLIP.                                 |
| 10   | 383392     | PATTERN SELECTION CARRIER MOUNTING BRACKET (RIGHT).         |
| 11   | 383331     | PATTERN SELECTION CARRIER.                                  |
| 12   | 605456-001 | TOUCH PANEL ASSEMBLY.                                       |
| 13   | 383488     | PATTERN SELECTION CARRIER MOUNTING BRACKET W/SUPPORT BLOCK. |
| 14   | 383513     | TOUCH PANEL COMPLETE.                                       |
| 15   | 354147-451 | PATTERN SELECTION CARRIER MOUNTING BRACKET (LEFT) SCREW.    |
| 16   | 354090-451 | PATTERN SELECTION CARRIER MOUNTING BRACKET (RIGHT) SCREW.   |
| 17   | 354756-451 | SENSOR & MAGNET HOLDING BLOCK MOUNTING BRACKET SCREW.       |
| 18   | 383407     | FASTING STITCH SOLENOID SUPPORT (PLASTIC).                  |
| 19   | 383393     | SENSOR & MAGNET HOLDING BLOCK.                              |
| 20   | 354724-451 | SENSOR & MAGNET MOLDING BLOCK FASTENING SCREW.              |
| 21   | 354049-451 | MAGNET MOUNTING BRACKET SCREW.                              |
| 22   | 604813     | MAGNET MOUNTING BRACKET.                                    |
| 23   | 383518     | MAGNET WITH SENSOR SWITCH HARNESS AND BRACKET.              |



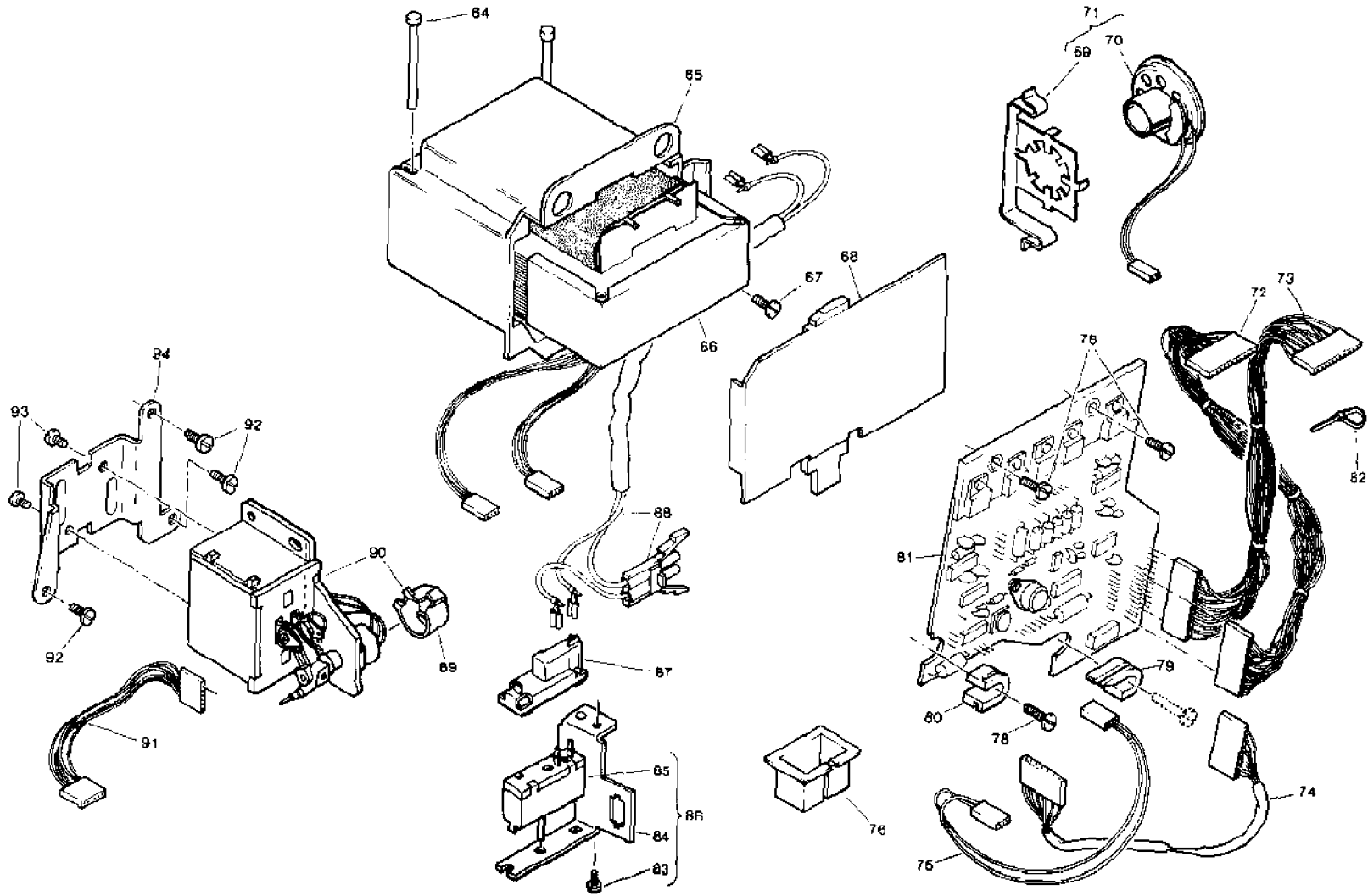
ELECTRONICS FOR LOGIC ELECTRICS AND CONTROL — 6



| REF. | PART NO.   | DESCRIPTION   | REF. | PART NO.   | DESCRIPTION   |
|------|------------|---|------|------------|---|
| 24   | 382684     | CAPACITOR HOUSING (UPPER).  | 45   | 382382     | LIGHT SWITCH ACTUATING BRACKET (PLASTIC).                           |
| 25   | 605335-001 | HARNESSE W/CAPACITORS.  | 46   | 383417     | LIGHT ROD WITH HOLDER.  |
| 26   | 151545     | CAPACITOR HOUSING CLAMPING RING.                                    | 47   | 383500     | LIGHT ROD CLIP*   |
| 27   | 382689     | CAPACITOR HOUSING (LOWER).  | 48   | 354720-451 | LIGHT ROD HOLDER ADJUSTING SCREW.                                   |
| 28   | 605336-001 | CAPACITOR W/HARNESSE & HOUSING ASSEMBLY.                            | 49   | 354734-451 | LIGHT ROD MOUNTING SCREW.   |
| 29   | 354550-451 | CAPACITOR HOUSING MOUNTING SCREW.                                   | 50   | 514674-451 | CIRCUIT BOARD SCREW NUT.  |
| 30   | 931868-027 | CAPACITOR HOUSING MOUNTING SCREW WASHER.                            | 51   | 605323-002 | LOW BOBBIN THREAD INDICATOR BOARD ASSEMBLY.                         |
| 31   | 605279-001 | LIGHT SHIELD.   | 52   | 383508     | CIRCUIT BOARD SCREW LOCK WASHER.                                    |
| 32   | 354090-451 | LIGHT SHIELD SCREW.   | 53   | 354724-451 | CIRCUIT BOARD SCREW.  |
| 33   | 605282-002 | LAMP.   | 54   | 605271-001 | BOBBIN RUNOUT LAMP-WEDGE BASE.                                      |
| 34   | 605283-001 | LIGHT LENS.   | 55   | 605322-004 | LOW BOBBIN THREAD INDICATOR BOARD W/CLIP COMPLETE.                  |
| 35   | 605281-001 | LIGHT COMPLETE W/BACKET X605280-901 PURCHASED FROM LEECRAFT MFG CO. | 56   | 382778     | STRAIGHT SWITCH SAFETY SWITCH ACTUATING PLUNGER (PLASTIC) (IN BED). |
| 36   | 603987-001 | LIGHT BRACKET SPRING.   | 57   | 605658-001 | STRAIGHT SWITCH SAFETY SWITCH HARNESSE & MOUNTING BRACKET.          |
| 37   | 619407-003 | LIGHT BRACKET MOUNTING SCREW.                                       | 58   | 141824-814 | STRAIGHT SWITCH SAFETY SWITCH BRACKET SCREW.                        |
| 38   | 182946     | LIGHT SWITCH ACTUATING ROCKER BUTTON PIN.                           | 59   | 354712-451 | LIGHT SENSOR HOLDER MOUNTING SCREW.                                 |
| 39   | 14494      | LIGHT SWITCH ACTUATING ROCKER BUTTON RETAINING RING.                | 6A   | 605342-001 | HARNESSE COMPL. LOW BOBBIN THREAD INDICATING BOARD TO INTERCONNECT. |
| 40   | 182048-453 | LIGHT SWITCH ACTUATING ROCKER BUTTON (PLASTIC).                     | 60   | 383427     | LIGHT SENSOR HOLDER SPRING.   |
| 41   | 381513     | LIGHT SWITCH ACTUATING ROD RETAINING RING.                          | 61   | 354722-451 | LIGHT SENSOR SET SCREW.   |
| 42   | 381511     | LIGHT SWITCH ACTUATING ROD.   | 62   | 383514     | LIGHT SENSOR HOLDER ASSEMBLY.                                       |
| 43   | 382330     | LIGHT SWITCH ACTUATING BRACKET SPRING CLIP.                         | 63   | 354721-451 | LIGHT SENSOR HOLDER ADJUSTING SCREW.                                |
| 44   | 381512-453 | LIGHT SWITCH ACTUATING ROCKER BUTTON.                               |      |            |   |

# ELECTRONICS FOR LOGIC ELECTRICS AND CONTROL - 6

| REF. | PART NO.   | DESCRIPTION   |
|------|------------|---|
| 64   | 382896     | TRANSFORMER RETAINING PIN (PLASTIC).                          |
| 65   | 383294     | TRANSFORMER HOUSING (PLASTIC).                                |
| 66   | 605375-001 | TRANSFORMER W/CONNECTORS.                                     |
| 67   | 354090-451 | TRANSFORMER MOUNTING SCREW.                                   |
| 68   | 383295     | TRANSFORMER RETAINER (PLASTIC).                               |
| 69   | 383561     | SPEAKER BRACKET.  |
| 70   | 605339-001 | SPEAKER W/HARNESS COMPLETE.                                   |
| 71   | 383578     | SPEAKER W/HARNESS & BRACKET.                                  |
| 72   | 605301-001 | HARNESS COMPL. LOGIC BOARD-SERVO BOARD.                       |
| 73   | 405298-001 | HARNESS COMPL. TOUCH PANEL BOARD/POWER-SERVO BOARD.           |
| 74   | 605299-001 | HARNESS COMPL. BOBBIN ALARM BOARD/POWER-SERVO.                |
| 75   | 605630-002 | HARNESS COMPLETE LOGIC TO SERVO BOARD.                        |
| 76   | 604537-001 | GROMMET (PLASTIC).  |
| 78   | 354147-451 | POWER SERVO BOARD MOUNTING SCREW.                             |
| 79   | 605362-001 | POWER SERVO BOARD SPACER (LOWER, PLASTIC).                    |
| 80   | 605363-001 | POWER SERVO BOARD SPACER (UPPER, PLASTIC).                    |
| 81   | 605326-002 | POWER SERVO BOARD ASSEMBLY.                                   |
| 82   | 605600-001 | CABLE TIE WRAP (PLASTIC).                                     |
| 83   | 354529-451 | BRACKET MOUNTING SCREW.                                       |
| 84   | 604494-001 | MOUNTING BRACKET.   |
| 85   | 605522-001 | CIRCUIT BREAKER.  |
| 86   | 604493-301 | CIRCUIT BREAKER WITH BRACKET.                                 |
| 87   | 604510-001 | CIRCUIT BREAKER COVER.  |
| 88   | 605388-001 | HARNESS TRANSFORMER.  |
| 89   | 382909     | FEED DRIVE LINEAR MOTOR POTENTIOMETER CAP (PLASTIC).          |
| 90   | 383212     | FEED DRIVE LINEAR MOTOR ASSEMBLY.                             |
| 91   | 605632-001 | HARNESS COMPL. (FEED MOTOR TO SERVO P.C. BOARD) (NO. 26 AWG). |
| 92   | 354090-451 | FEED DRIVE LINEAR MOTOR MOUNTING BRACKET SCREW.               |
| 93   | 354538-451 | FEED DRIVE LINEAR MOTOR MOUNTING SCREW.                       |
| 94   | 382285     | FEED DRIVE LINEAR MOTOR MOUNTING BRACKET.                     |



0

0

0

1

— — —