

Replacing a Wound Bobbin

Replacing a Wound Bobbin

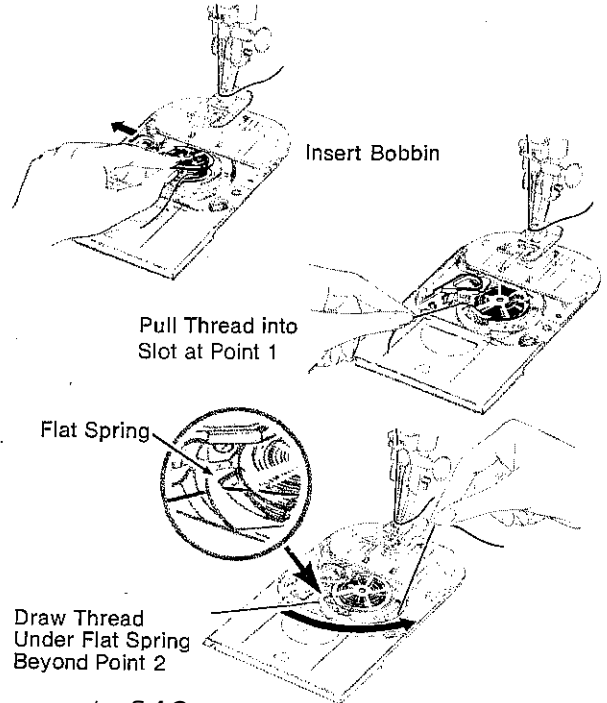
Raise take-up lever. Open slide plate; move latch to left. Draw four inches of thread from bobbin and place bobbin in case. Pull thread into slot of bobbin case at Point 1, draw it under flat spring and beyond Point 2. Leave four inches of free thread. Leave slide plate open.

Raising the Bobbin Thread

1. Hold needle thread lightly with left hand and turn hand wheel slowly toward you so needle enters plate.
2. Continue until needle rises. Tighten hold on needle thread and bring up loop of bobbin thread.
3. Open loop with fingers and pull needle and bobbin threads under presser foot diagonally to the left. Close slide plate.

Removing Thread from Bobbin

You can leave the bobbin in place while removing thread. With slide plate closed, pull thread end toward you through plate with a steady motion. Do not pull thread across feed as this may damage feed.



www.geocities.com/tf43

Raising the Bobbin Thread

