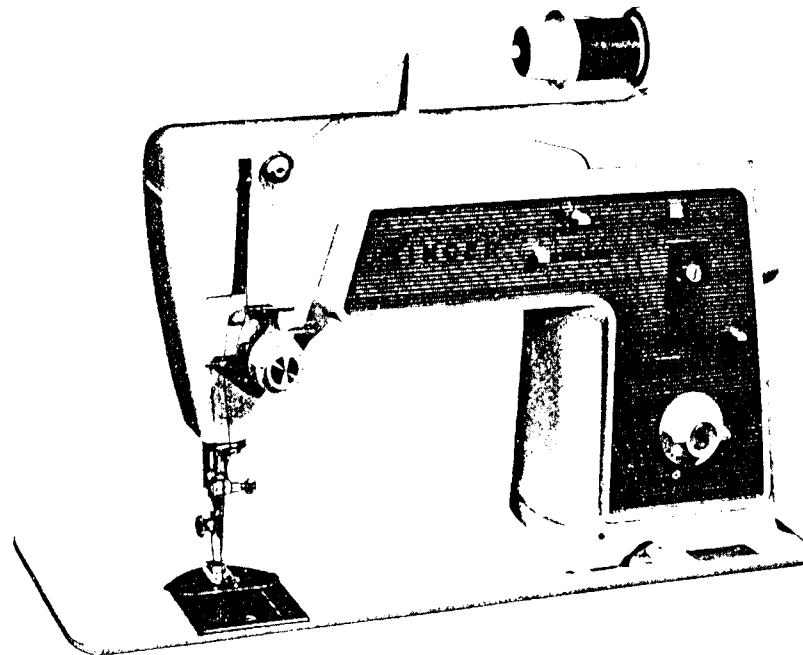


SINGER
638E3/638E6/638E7

Machine No. 638E

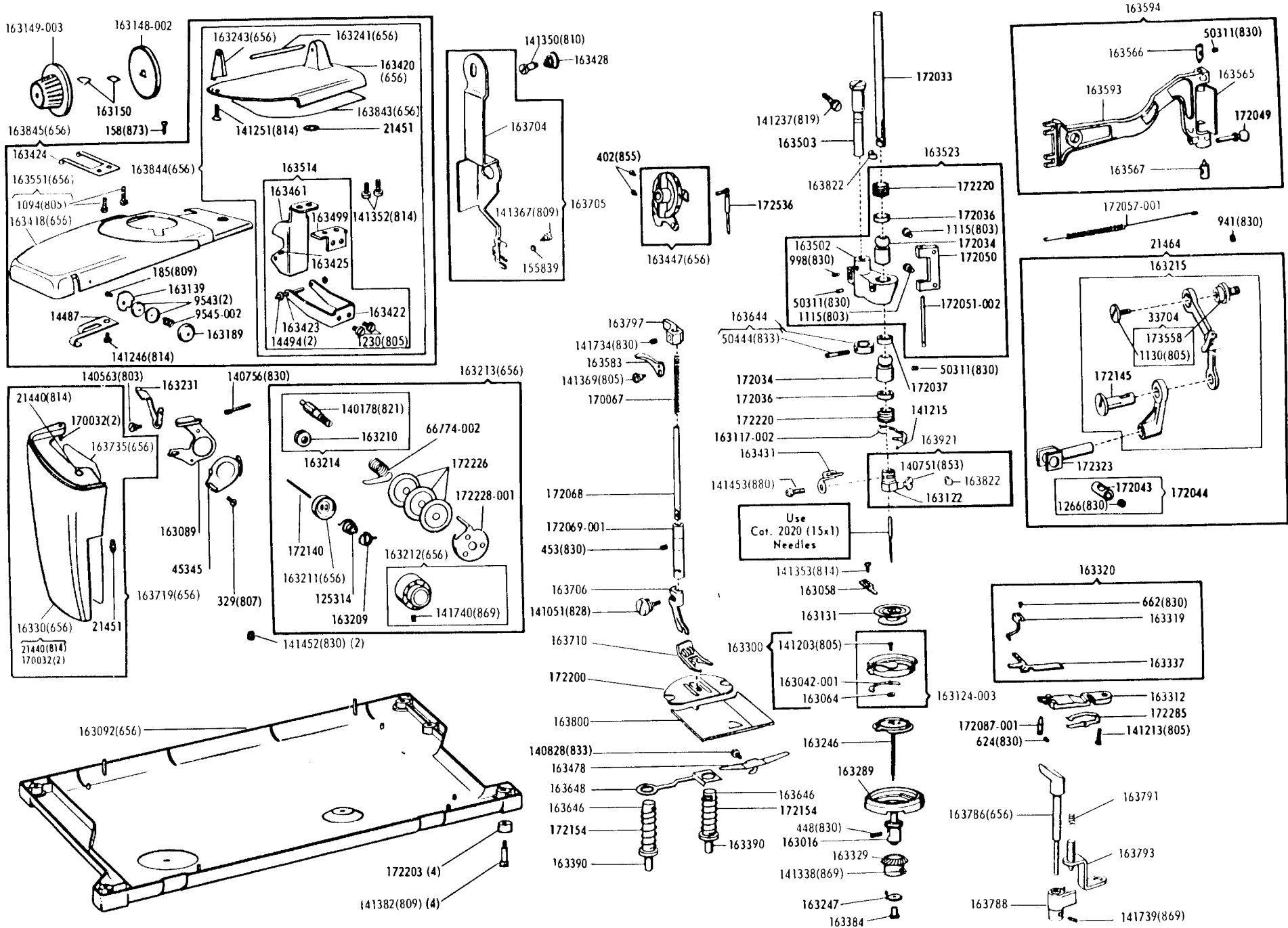
List of Parts—Machines Nos. 638E3, 638E6 and 638E7



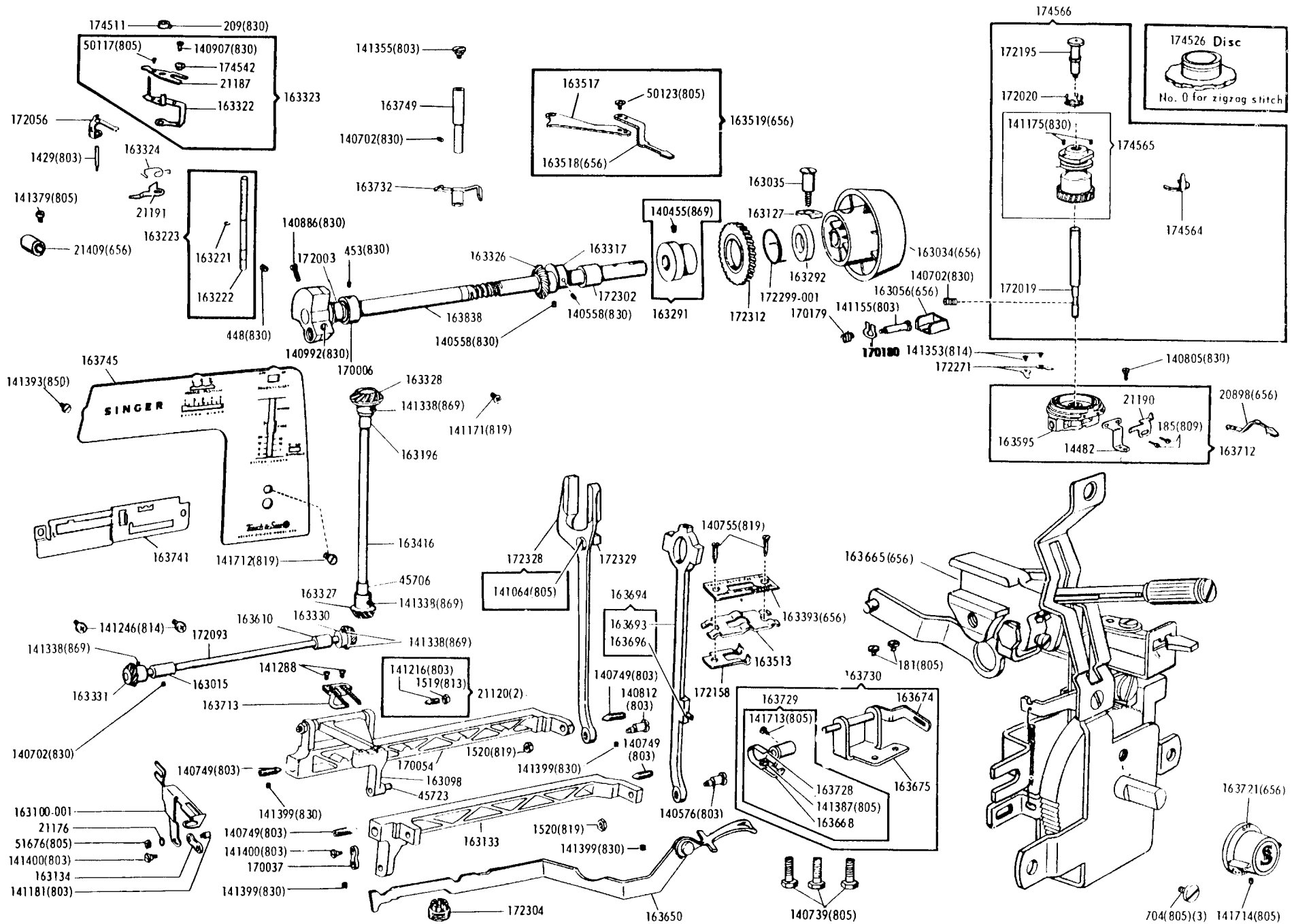
ATTACHMENT SET 161928

21906	Chainstitch Attachment Loop Retainer Disc
21913	Chainstitch Attachment Throat Plate
161133	Tube of Oil
161166	Zipper Foot
161168	Presser Foot for button sewing
161172	Seam Guide
161276	Lint Brush
161917	Presser Foot Plate (snap-on, plastic) for sewing buttonholes
161919	Presser Foot Plate (snap-on) for straight sewing
161929	Attachment Box
161960	Glassine Envelope containing two needle threader hooks and Instruction Form 21632
163131	Bobbin (2)
163242 (656)	Spool Pin for two needle sewing
163455	Chainstitch Attachment Thread Guide
163456	Chainstitch Attachment Set complete, Nos. 21906, 21913 and 163455
163483	Presser Foot for Applique
172185	Disc No. 1, for Arrowhead Stitch
172187	Disc No. 2, for Scallop Stitch
172189	Disc No. 3, for Diamond Stitch
172190	Disc No. 4, for Solid Scallop Stitch
172191	Disc No. 5, for Banner Stitch
172229	Disc No. 6, for Crescent Stitch
174527	Disc No. 9, for Multiple Zigzag Stitch
174528	Disc No. 8, for Blind Stitch
174529	Throat Plate for straight sewing
174533	Disc No. 10, for Ball Stitch
174534	Disc No. 12, for Domino Stitch
174536	Disc No. 14, for Comb Stitch
174538	Disc No. 18, for Solid Pyramid Stitch
174540	Disc No. 11, for Ribbon Stitch
174547	Disc No. 21, for Chevron Stitch
-----	Needle Cat. 2020, Size 14 (3)
-----	Twin Needle Cat. 2028, Size 14

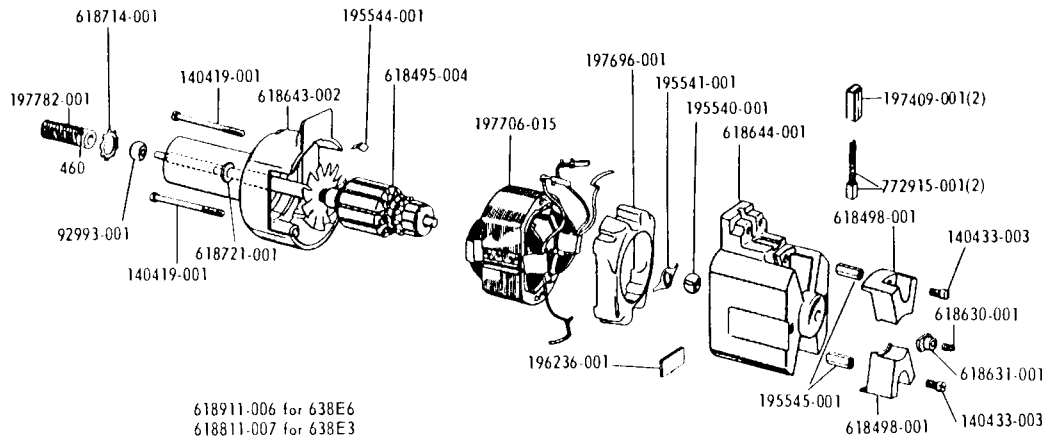
List of Parts—Machines Nos. 638E3, 638E6 and 638E7



List of Parts—Machines Nos. 638E3, 638E6 and 638E7



Electrical Parts—Machines Nos. 638E3, 638E6 and 638E7



618911-006 for 638E6
618811-007 for 638E3

