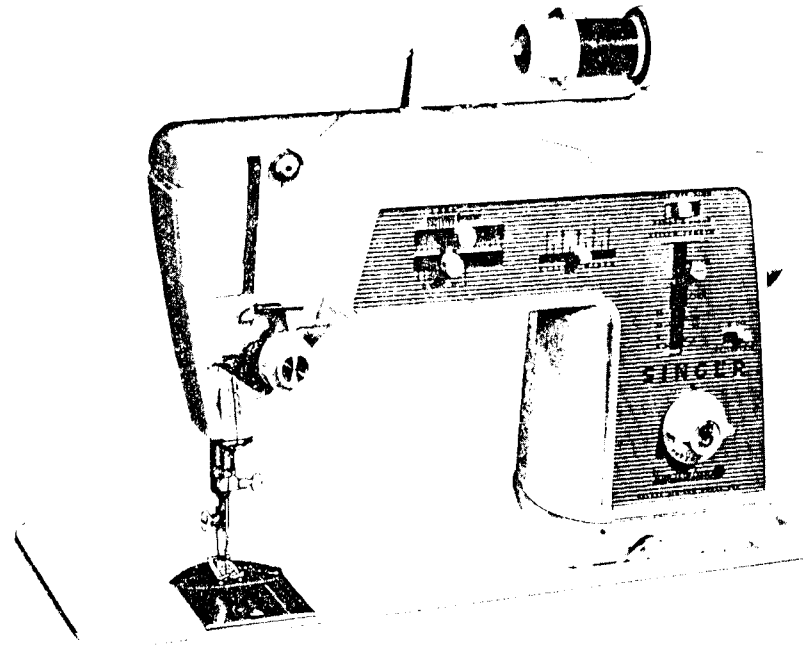


**SINGER**  
**635E3/635E6/635E7**

## List of Parts—Machines Nos. 635E3, 635E6 and 635E7



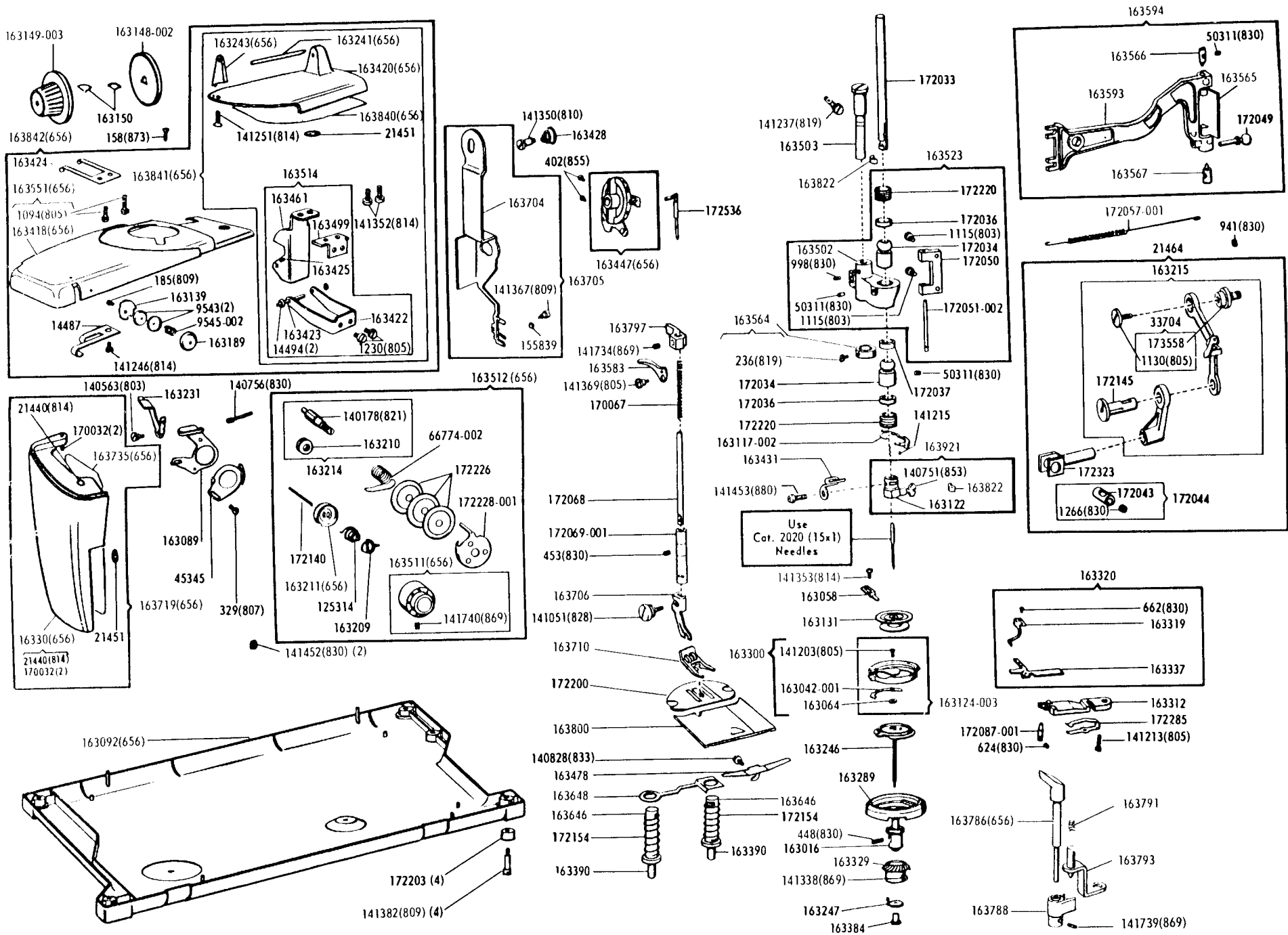
CIRCULAR DECORATOR  
ATTACHMENT 161847(656)

141347(807) Circular Decorator Attachment  
Thumb Screw  
161846 Attachment Box (cardboard)  
163399 Circular Decorator Attachment Arm  
163407 Circular Decorator Attachment  
Base with 141347(807)  
163409(656) Circular Decorator Attachment Knob  
163437 Circular Decorator Attachment Arm  
Catch Spring

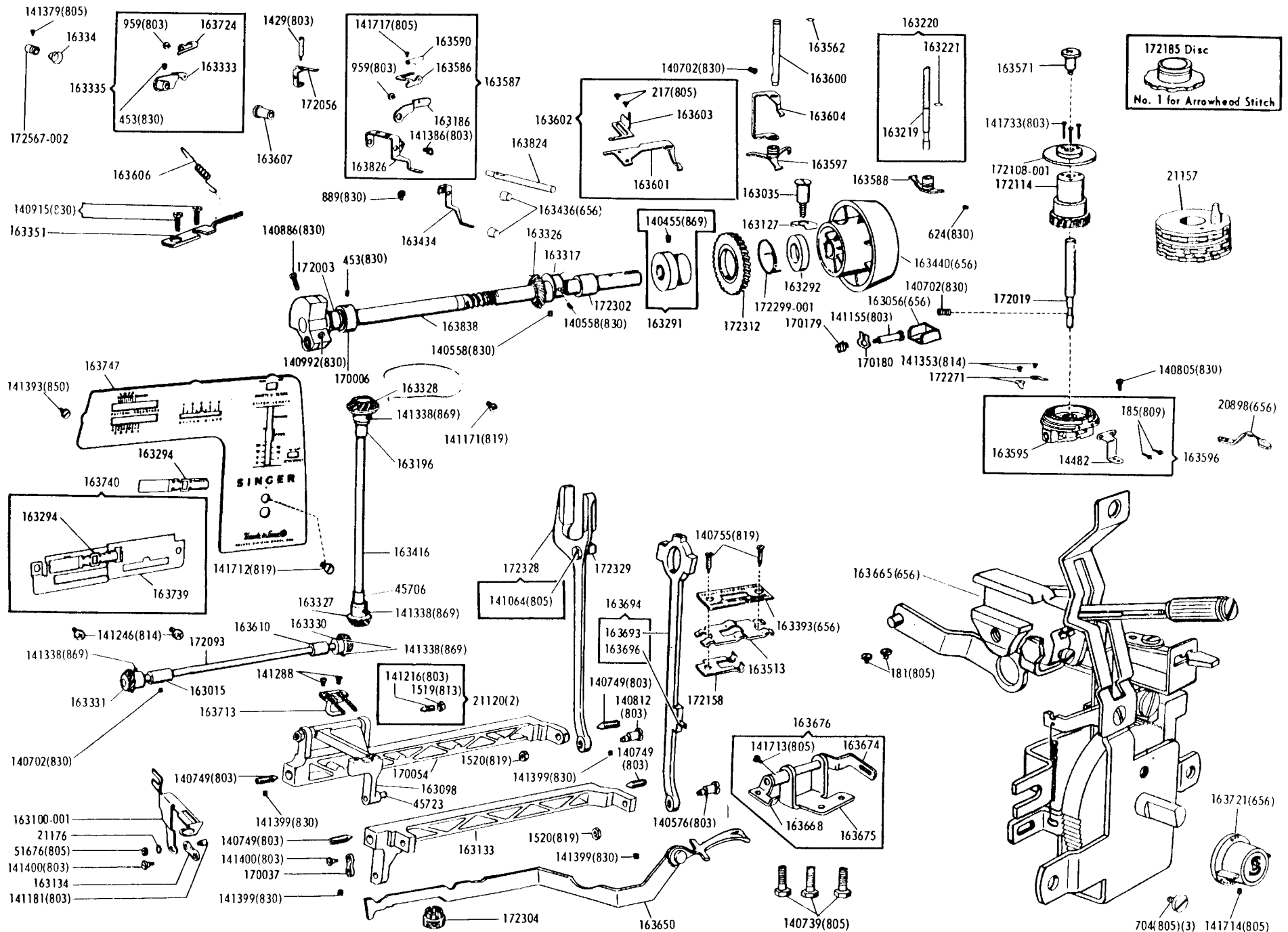
## ATTACHMENT SET 161931

21906 Chainstitch Attachment Loop  
Retainer Disc  
21913 Chainstitch Attachment Throat  
Plate  
81200 Binder (slotted)  
161133 Tube of Oil  
161166 Zipper Foot  
161168 Presser Foot for button sewing  
161172 Seam Guide  
161276 Lint Brush  
161917 Presser Foot Plate (snap-on,  
plastic) for sewing buttonholes  
161919 Presser Foot Plate (snap-on)  
for straight sewing  
161921 Presser Foot Plate (snap-on,  
slotted) for Overlocking for use  
with Disc No. 163369  
161922 Attachment Box  
161960 Glassine Envelope containing  
two needle threader hooks and  
Instruction Form 21632  
163131 Bobbin (2)  
163242(656) Spool Pin for two needle sewing  
163369 Disc No. 22, for Stretch Stitch  
for stitching stretch material,  
for use with No. 161921  
163455 Chainstitch Attachment Thread Guide  
163456 Chainstitch Attachment Set complete,  
Nos. 21906, 21913 and 163455  
163483 Presser Foot for Applique  
172187 Disc No. 2, for Scallop Stitch  
172189 Disc No. 3, for Diamond Stitch  
172190 Disc No. 4, for Solid Scallop Stitch  
172191 Disc No. 5, for Banner Stitch  
172229 Disc No. 6, for Crescent Stitch  
172230 Disc No. 7, for Icicle Stitch  
174529 Throat Plate for straight sewing  
174534 Disc No. 12, for Domino Stitch  
174535 Disc No. 13, for Faceting Stitch  
174536 Disc No. 14, for Comb Stitch  
174537 Disc No. 15, for Thunderbird Stitch  
174539 Disc No. 19, for Block Stitch  
174540 Disc No. 11, for Ribbon Stitch  
174544 Disc No. 16, for Chag Stitch  
174546 Disc No. 20, for Walls of Troy Stitch  
174547 Disc No. 21, for Chevron Stitch  
----- Needle Cat. 2020 size 14 (3)  
----- Needle Cat. 2020 size 16 (3)  
----- Twin Needle Cat. 2028, size 14

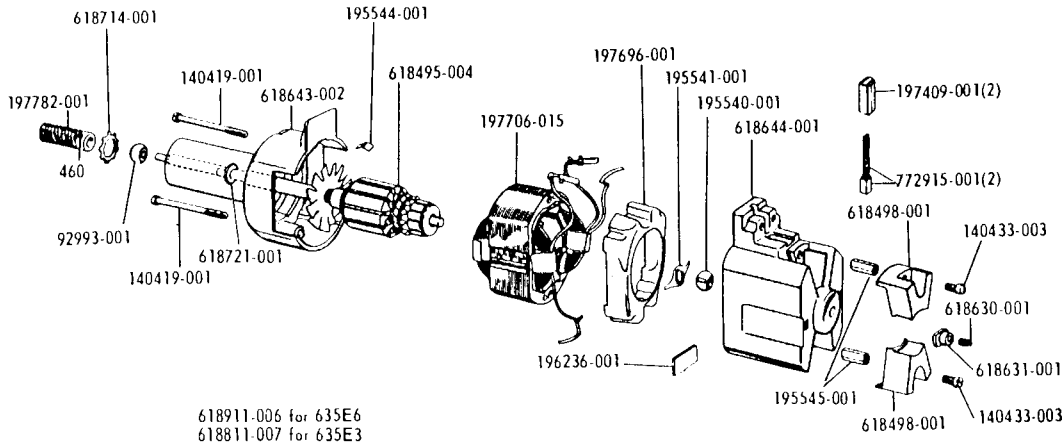
# List of Parts—Machines Nos. 635E3, 635E6 and 635E7



# List of Parts—Machines Nos. 635E3, 635E6 and 635E7



# Electrical Parts—Machines Nos. 635E3, 635E6 and 635E7



618911-006 for 635E6  
618811-007 for 635E3

