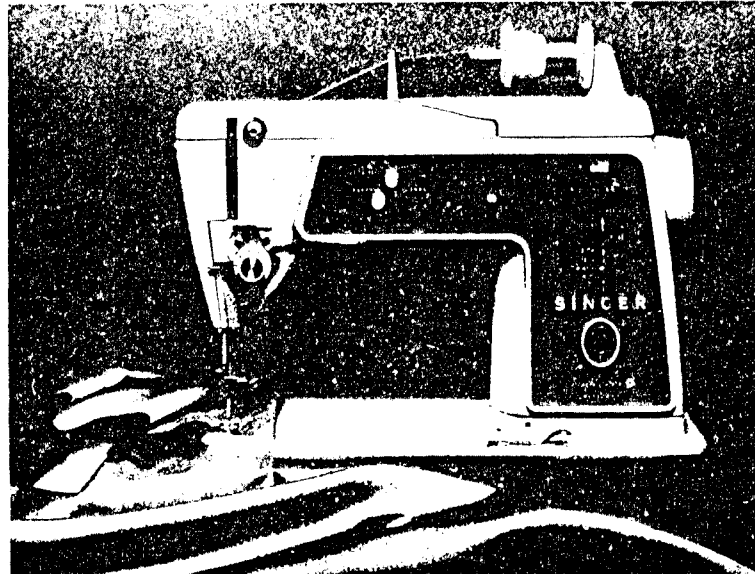


**SINGER**  
**600E11/600E14/600E16**

## List of Parts—Machines Nos. 600E-11, 600E-14 and 600E-16

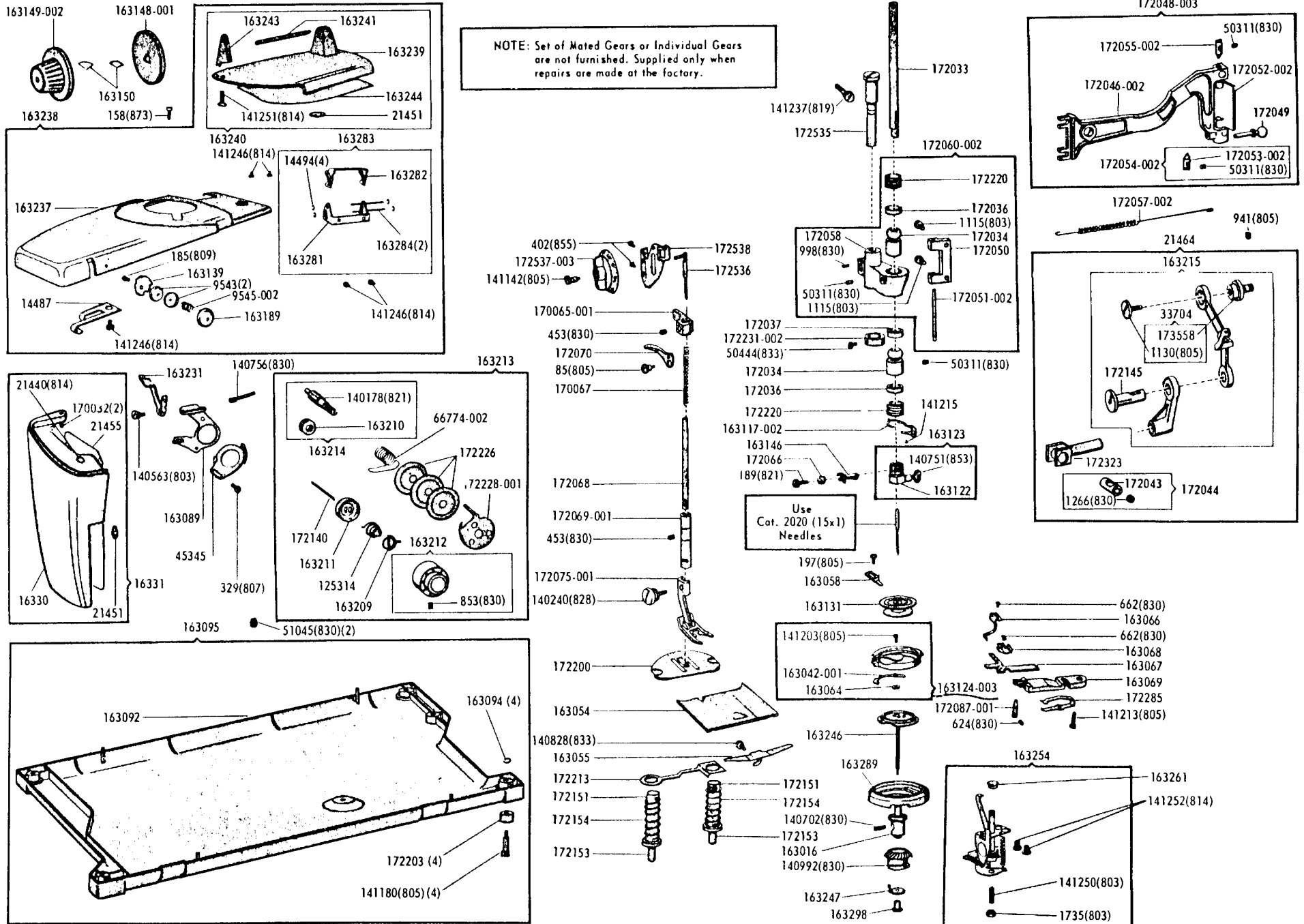
ATTACHMENT SET 161794 (Early Model)

21412	Spool Pin
21966	Loop Retainer Disc
21913	Throat Plate
81200	Binder
161133	Tube of Oil
161166	Zipper Foot
161168	Button Foot
161172	Seam Guide
161195	Hemmer Foot
161276	Lint Brush
161821	Attachment Box
163131	Bobbin (2)
163455	Thread Guide
163483	Special Purpose Foot
170071-001	Presser Foot
172187	Fashion Disc 2
172190	Fashion Disc 4
172191	Fashion Disc 5
174529	Throat Plate
174545	Fashion Disc 17
2020(15x1)	Needles 14 (3) 16 (3)

ATTACHMENT SET 161818

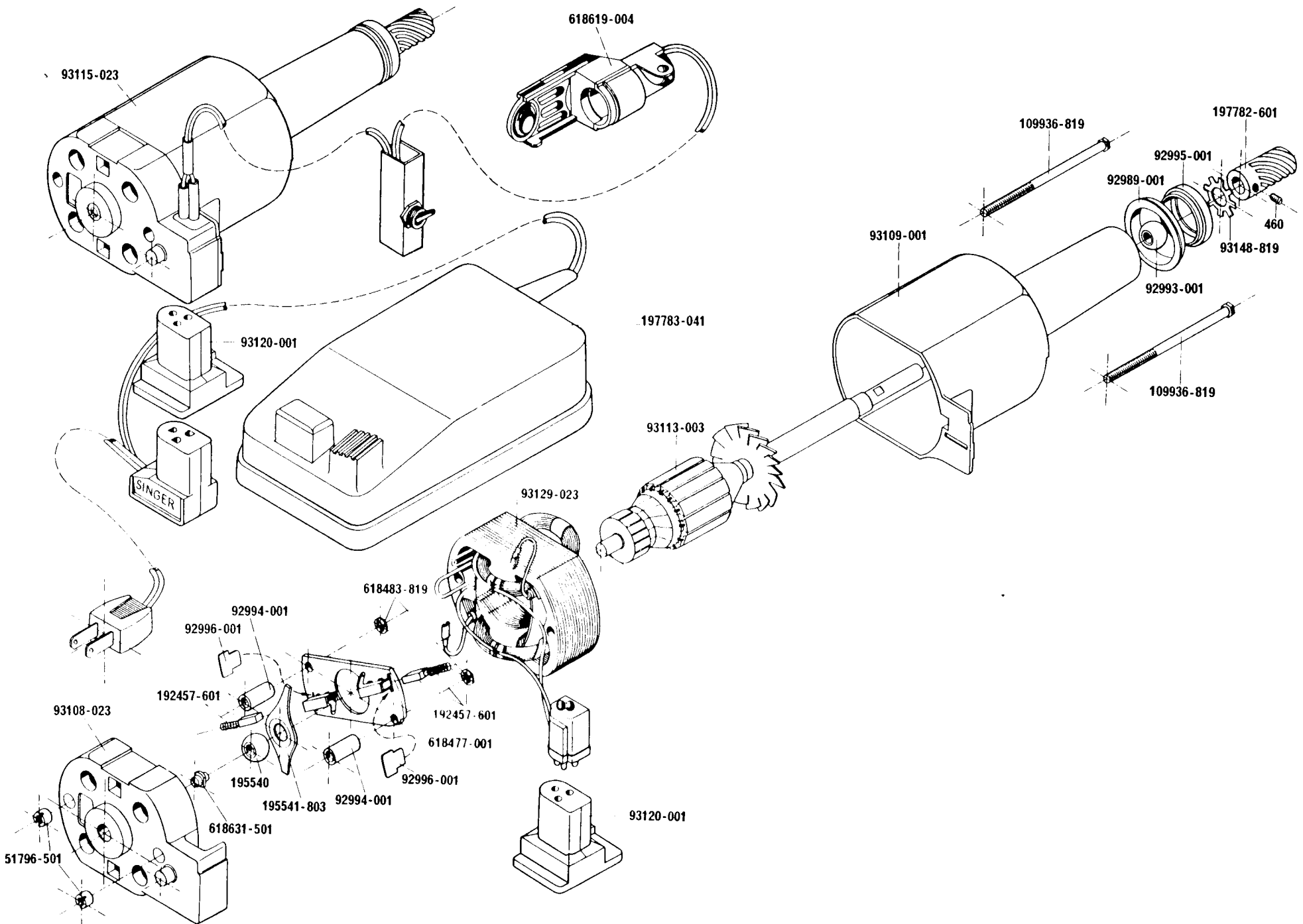
21906	Loop Retainer Disc
21913	Throat Plate
81200	Binder
161133	Tube of Oil
161166	Zipper Foot
161168	Button Foot
161172	Seam Guide
161195	Hemmer Foot
161276	Lint Brush
161820	Attachment Box
163131	Bobbin (2)
163242	Spool Pin
163455	Thread Guide
163483	Special Purpose Foot
170071-001	Presser Foot
172187	Fashion Disc 2
172190	Fashion Disc 4
172191	Fashion Disc 5
174529	Throat Plate
174525	Fashion Disc 17
2020(15x1)	Needles 14 (3) 16 (3)

# List of Parts—Machines Nos. 600E-11, 600E-14 and 600E-16



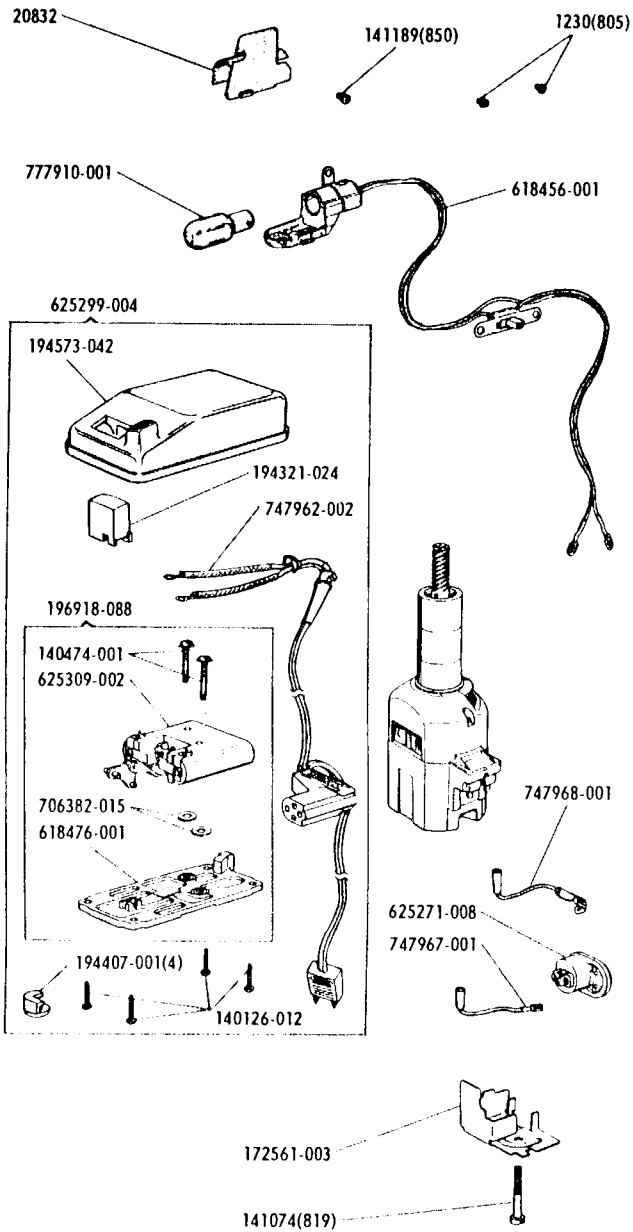


# SINGER PAB 16-8 MOTOR (110-120 v) FOR 600 CLASS MACHINE

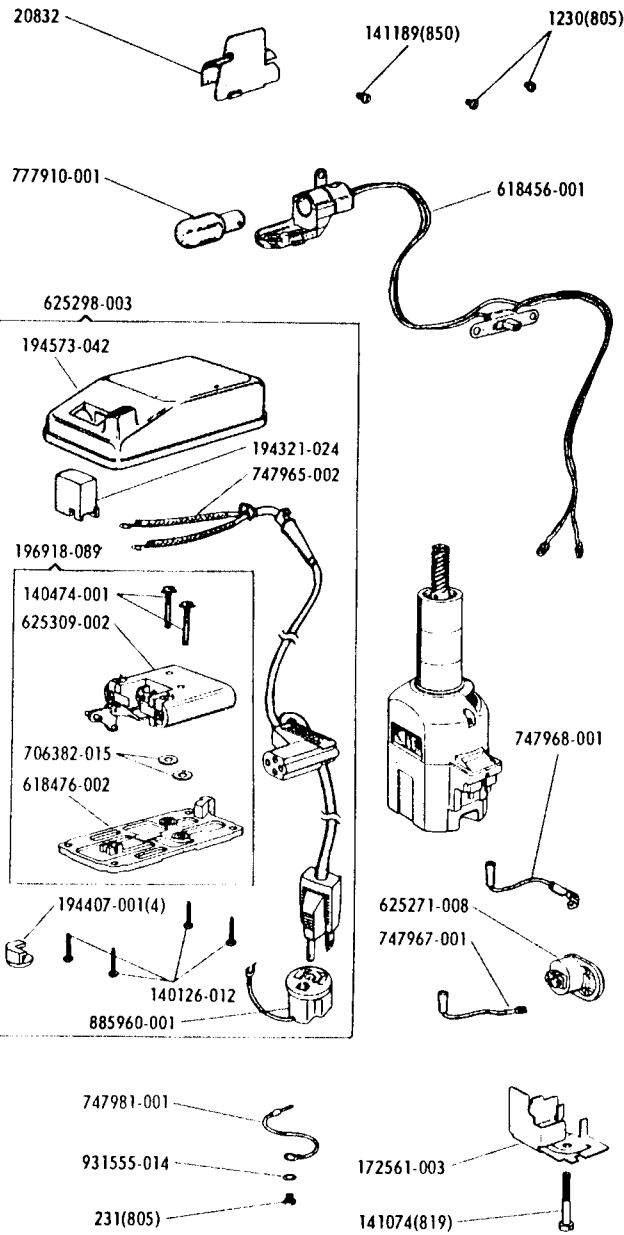


# Electrical Parts

## Machine No. 600E-11



## Machine No. 600E-16



## Machine No. 600E-14

