

# TNT REPAIR

[www.tandrepair.com](http://www.tandrepair.com)

## Gear Numbers:

Main Shaft Gear.....	163326	(Note: this gear rarely requires replacement)
Top Vertical Shaft Gear.....	163328	(Older numbers include: 163987)
Bottom Vertical Shaft Gear.....	174204	(Older numbers include: 163327, 163999)
Lower Horizontal Shaft Gear (Timing Gear).....	163996	(Older numbers include: 163330)
Lower Horizontal Shaft Gear (Hook Drive).....	163997	(Older numbers include: 163331)
Hook Gear.....	163329	(Older numbers include: 163994)

## Recommended Replacement Gear Sets

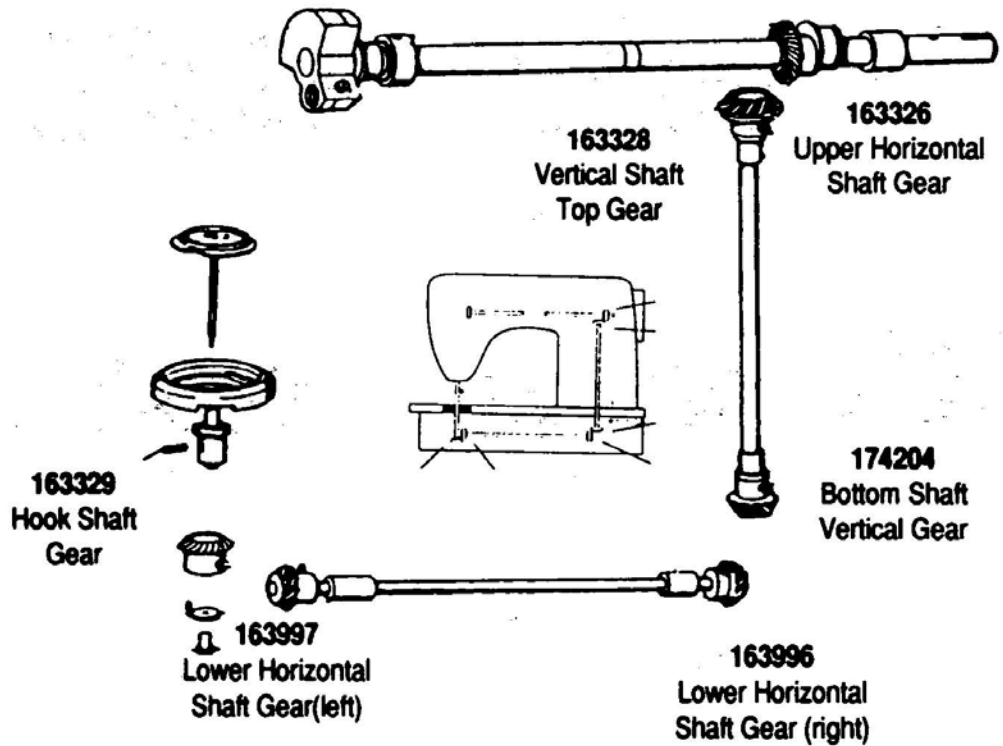
**Helical Cut Gear Replacements** (angle gear sets) – Benefits over OEM: Smooth performance, less noise, easier to set gear mesh

**174204AS** Lower Vertical Shaft & Timing Gear (includes both 174204 & 163996)

**382980** Hook Drive & Hook Gear (includes both 163997 & 163329)

Model Range: 620, 625, 626, 628, 629, 630, 635, 636, 638, 639, 640, 645, 646, 648, 649 (Some models were omitted in the list below)

## Gears for Singer 600 Series Model: 620, 625, 628, 629, 630, 635, 636, 638, 639, 640, 645, 646, 649



141338-896

Screw for Most Singer gears and New Home Gears